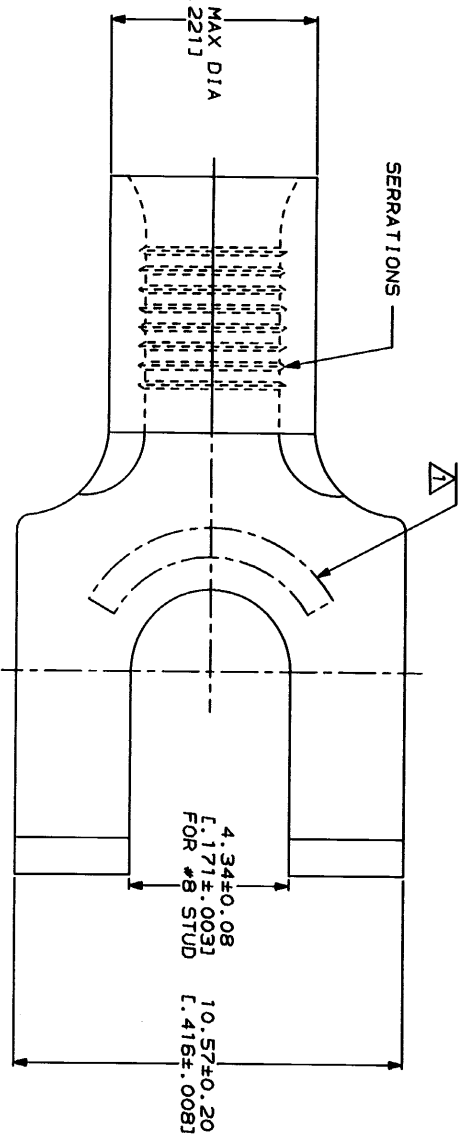


LOC	QTY	REV	ZONE	DATE	APP
G	14	F			

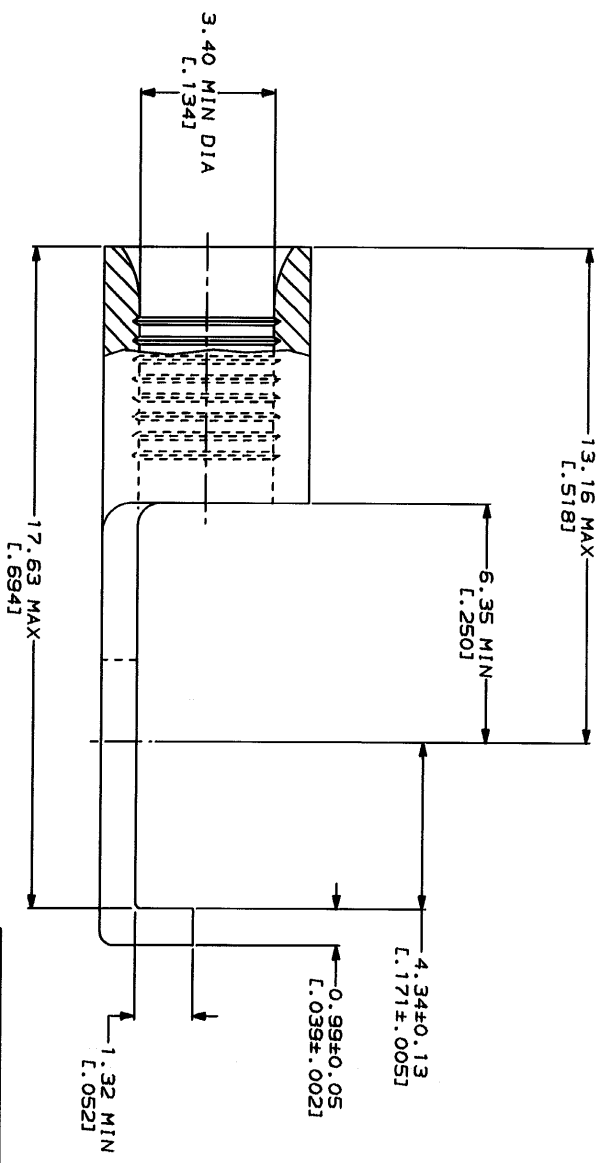
METRIC
DIMENSIONS LISTED IN MM [INCHES]

WIRE RANGE	E13298 Listed
12-10 AWG STRANDED	12-10 AWG STRANDED
LR7189 Certified	MILITARY P/V AND CLASS
NOT CERTIFIED	NOT APPLICABLE

4.34±0.08 [1.171±.003]
 FOR #8 STUD
 10.57±0.20 [4.16±.0081]



△ STAMP AMP 12-10* APPROX AS SHOWN



AMP INCORPORATED
CUSTOMER SERVICE SYSTEMS

FOR ADDITIONAL PRODUCT INFORMATION OR COPIES OF DRAWINGS AND TECHNICAL DOCUMENTS
 PRODUCT INFORMATION CENTER
 1-800-522-6752
 FOR APPLICATION TOOLING INFORMATION
 TOOLING ASSISTANCE CENTER
 1-800-722-1111
 FOR ORDER ENTRY
 1-800-526-5142

MAX RECOMMENDED OPERATING TEMPERATURE: 170°C MAX
 VOLTAGE RATING: NOT APPLICABLE
 WIRE CROSS SECTIONAL AREA RANGE: 2.62-6.64mm² [5.180-13.100] CIR MILS STRANDED
 THIS DRAWING IS A PART OF A DRAWING SET. IT IS SUBJECT TO CHANGE WITHOUT NOTICE. FOR THE LATEST REVISIONS, SEE THE DRAWING REVISIONS.

DO NOT SCALE PRINT.
 UNLESS SPECIFIED OTHERWISE, DIMENSIONS ON THIS DRAWING ARE IN MILLIMETERS.
 FINISH: TIN PLATE
 0.00254 [0.00100] MIN THK PER MIL-T-10727
 DR 3-4-83
 CKR 3-4-83
 DA PATTERSON
 APPD 3-4-83
 DE MILLER
 APPD 3-4-83
 J. MCKALEY
 PRODUCT SPEC
 APPLICATION SPEC
 WEIGHT -
 NAME: TERMINAL, FLANGED SPADE, BUDGET
 SIZE: 00779
 CAGE CODE: 00779
 DRAWING NO: 32416
 SCALE: 10:1
 SHEET: 1 OF 1

AMP 12-10-12-10-12-10
 AMP INCORPORATED
 HARRISBURG, PA 17105-3608
 PART NO: 32416
 CUSTOMER DRAWING