

4

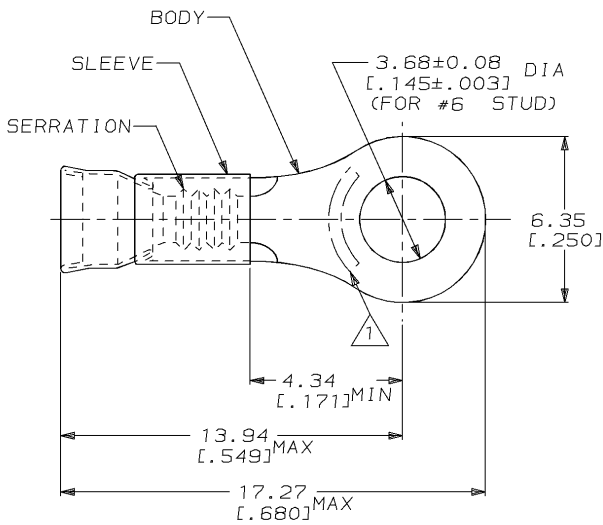
3

2

1

THIS DRAWING IS UNPUBLISHED. RELEASED FOR PUBLICATION, 19...
 © COPYRIGHT 19 BY AMP INCORPORATED. ALL RIGHTS RESERVED.

LOC	DIST	REVISIONS			
P	LTR	DESCRIPTION	DATE	DWN	APVD
G	14	D	REV / 0L20-0040-96	06JAN97	ME TM



△ STAMP AMP 16-14* APPROX AS SHOWN

- 2. WIRE INSUL DIA, 2.03-3.30 [0.080-.130]
- 3. TONGUE MATL THK, 0.79±0.05 [0.031±.002]

1000	LOOSE PIECE	323158
QTY	PACKAGE TYPE	PART NO

AMP INCORPORATED CUSTOMER SERVICE SYSTEM		MAX RECOMMENDED OPERATING TEMPERATURE: 343°C [650°F]	THIS DRAWING IS A CONTROLLED DOCUMENT FOR AMP INCORPORATED. IT IS SUBJECT TO CHANGE AND THE CONTROLLING ENGINEERING ORGANIZATION SHOULD BE CONTACTED FOR THE LATEST REVISION.		DWN L OLMEDA 100CT94	AMP AMP Incorporated Harrisburg, PA 17105-3608
FOR ADDITIONAL PRODUCT INFORMATION OR COPIES OF DRAWINGS AND TECHNICAL DOCUMENTS	PRODUCT INFORMATION CENTER 1-800-522-6752	VOLTAGE RATING: -	DIMENSIONS: mm [in]	TOLERANCES UNLESS OTHERWISE SPECIFIED: 0 PLC ±- 1 PLC ±- 2 PLC ±0.20 (0.008) 3 PLC ±- 4 PLC ±- ANGLES ±-	CHK M ELLIS 100CT94	
FOR APPLICATION TOOLING INFORMATION	TOOLING ASSISTANCE CENTER 1-800-722-1111	CIRCULAR MIL AREA: 1.04mm²-2.62mm² [2050-5180]	MATERIAL BODY, CU PER ASTM B152 SLEEVE, NI SIL PER ASTM B122	FINISH BODY, NP, QQ-N-280	APVD S BORTNER 100CT94	PRODUCT SPEC -
FOR ORDER ENTRY	1-800-526-5142	STRANDED WIRE			APPLICATION SPEC -	WEIGHT -
					SIZE A3	CAGE CODE 00779
					DRAWING NO C-323158	SCALE 6:1
					CUSTOMER DRAWING	SHEET 1 OF 1
						REV D

AMP 1470-19 REV 09MAY94

06 JAN 1997 13:59:40 AMP10398 <UJ128A>DEPT1132>U.DWG1132>U.RBY>U.DIAMOND-GRIP>U.STRATOTHERM>U.CUST