

4

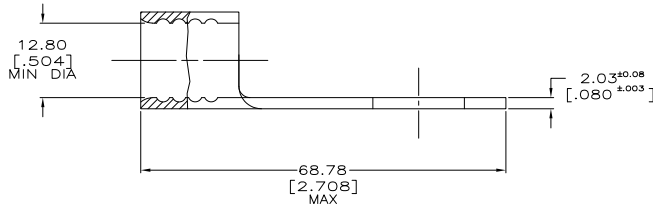
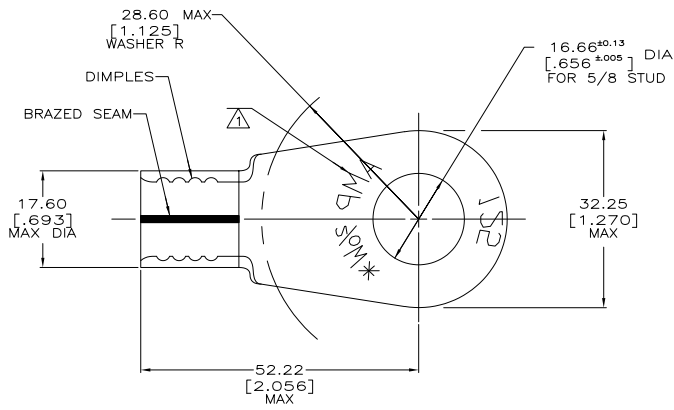
3

2

1

THIS DRAWING IS UNPUBLISHED. RELEASED FOR PUBLICATION  
 © COPYRIGHT BY TYCO ELECTRONICS CORPORATION. ALL INTERNATIONAL RIGHTS RESERVED.

LOC	DIST	REVISIONS		
P	LTR	DESCRIPTION	DATE	BY
G	14			
D		REV PER EDR 10-000722	25JAN10	JR TM



<b>AMP</b> WIRE RANGE	E13288 Listed	LR7189 Certified
2/0 AWG SOLID OR STRANDED	2/0 AWG STRANDED	2/0 AWG SOLID OR STRANDED

- 1 STAMP AMP 2/0W\* 125, APPROX AS SHOWN
- 2 COPPER PER ASTM B-152, ANNEALED
- 3 TIN PLATE 0.00254 [0.00100] MIN THK EXT. PER ASTM B-545
- 4 MAX RECOMMENDED OPERATING TEMP IS 170°C.
- 5 WIRE CROSS SECTIONAL AREA RANGE: 60.6-76.3mm<sup>2</sup> [119,500-150,500] CMA SOLID OR STRANDED.

50	LOOSE PIECE	322224
QTY	PACKAGING TYPE	PART NO.

THIS DRAWING IS A CONTROLLED DOCUMENT.		DRK SCHRUM 8/4/93	Tyco Electronics Corporation Harrisburg, PA 17105-3608	
DIMENSIONS: MM (INCHES)		CHK AL KAUFMAN 8/5/93	TERMINAL, RING TONGUE, SOLISTRAND	
TOLERANCES UNLESS OTHERWISE SPECIFIED:		APPD JIL MECKLEY 8/5/93	SIZE CAGE CODE DRAWING NO	
0 PLC ±	1 PLC ±	APPLICATION SPEC	A2 00779 C=322224	
2 PLC ±	3 PLC ±	PRODUCT SPEC	RESTRICTED TO	
4 PLC ±	ANGLES ±	WEIGHT	-	
MATERIAL	FINISH	CUSTOMER DRAWING	SCALE	2:1
-A	-3		SHEET	1 of 1
			REV	D

1471-9 (1/08)

322224

A