

4

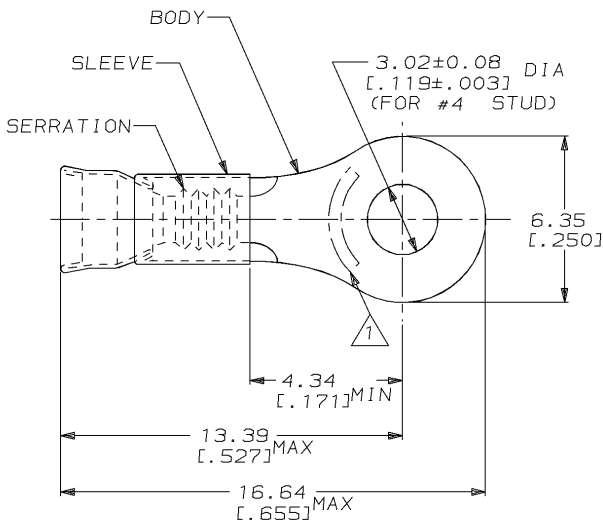
3

2

1

THIS DRAWING IS UNPUBLISHED. RELEASED FOR PUBLICATION, 19  
 © COPYRIGHT 19 BY AMP INCORPORATED. ALL RIGHTS RESERVED.

LOC	DIST	REVISIONS					
		P	LTR	DESCRIPTION	DATE	DWN	APVD
G	14	B		REDRAWN PER 0720-0377-94	100CT94	LO	ME



△ STAMP AMP 16-14\* APPROX AS SHOWN

2. WIRE INSUL DIA, 3.05-4.32 [.120-.170]
3. TONGUE MATL THK, 0.79±0.05 [.031±.002]

1000	LOOSE PIECE	322371
QTY	PACKAGE TYPE	PART NO

AMP INCORPORATED CUSTOMER SERVICE SYSTEM		MAX RECOMMENDED OPERATING TEMPERATURE: 343°C [650°F]	THIS DRAWING IS A CONTROLLED DOCUMENT FOR AMP INCORPORATED. IT IS SUBJECT TO CHANGE AND THE CONTROLLING ENGINEERING ORGANIZATION SHOULD BE CONTACTED FOR THE LATEST REVISION.		DWN L OLMEDA 100CT94	AMP AMP Incorporated Harrisburg, PA 17105-3608			
FOR ADDITIONAL PRODUCT INFORMATION OR COPIES OF DRAWINGS AND TECHNICAL DOCUMENTS	PRODUCT INFORMATION CENTER 1-800-522-6752	VOLTAGE RATING: -	DIMENSIONS: mm [in]	TOLERANCES UNLESS OTHERWISE SPECIFIED: 0 PLC ±- 1 PLC ±- 2 PLC ±0.20 (.008) 3 PLC ±- 4 PLC ±- ANGLES ±-	CHK M ELLIS 100CT94		NAME S BORTNER 100CT94		
FOR APPLICATION TOOLING INFORMATION	TOOLING ASSISTANCE CENTER 1-800-722-1111	CIRCULAR MIL AREA: 1.04mm²-2.62mm² [2050-5180]	MATERIAL BODY, CU PER ASTM B152 SLEEVE, NI SIL PER ASTM B122	FINISH BODY, NP, QQ-N-290	PRODUCT SPEC -	APPLICATION SPEC -	WEIGHT -		
FOR ORDER ENTRY	1-800-526-5142	STRANDED WIRE			SIZE A3	CAGE CODE 00779	DRAWING NO C-322371		
					CUSTOMER DRAWING		SCALE 6:1	SHEET 1 OF 1	REV B

AMP 1470-19 REV 09MAY94

27 OCT 1994 09:53:44 AMP12360 <UJ128A>DEPT1132>U.DWG1132>U.RBY>U.DIAMOND-GRIP>U.STRATOTHERM>U.CUST