

4

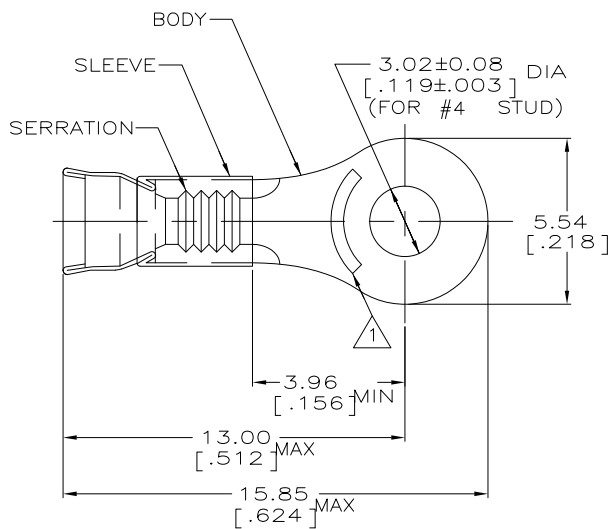
3

2

1

THIS DRAWING IS UNPUBLISHED. RELEASED FOR PUBLICATION
 © COPYRIGHT - BY TYCO ELECTRONICS CORPORATION. ALL RIGHTS RESERVED.

LOC	DIST	REVISIONS				
P	LTR	DESCRIPTION	DATE	DWN	APVD	
G	14	L	REV PER ECR 09-013993	19JUN09	JR	TM



- 1 STAMP AMP 22-18* APPROX AS SHOWN 22-16 TERMINALS ARE STAMPED 22-18 IN ACCORDANCE WITH MILITARY SPEC MIL-T-7928 COMMERCIAL WIRE RANGE IS 22-16
2. WIRE INSUL DIA, 2.67-3.56 [.105-.140]
3. TONGUE MATL THK, 0.79±0.05 [.031±.002]
- 4 BODY, NICKEL-PLATE PER QQ-N-290.
- 5 BODY, GOLD-PLATE WITH NICKEL UNDERPLATE PER ASTM B-488.
- 6 MATERIAL: BODY - CU PER ASTM B152
SLEEVE - NI SILVER PER ASTM B122
- 7 MATERIAL: BODY - CU PER ASTM B152
SLEEVE - CU PER ASTM B152
- 8 BODY & SLEEVE: GOLD PLATE .000050 MIN THK PER MIL-G-45204 OVER .000050 MIN THK NICKEL PER QQ-N-290.

260°C	8	7	1000	LOOSE PIECE	322363-2
260°C	5	6	1000	LOOSE PIECE	322363-1
343°C	4	6	1000	LOOSE PIECE	322363
MAX TEMP	FINISH	MATERIAL	QTY	PACKAGE TYPE	PART NO

AMP INCORPORATED CUSTOMER SERVICE SYSTEMS		MAX RECOMMENDED OPERATING TEMPERATURE: SEE CHART	THIS DRAWING IS A CONTROLLED DOCUMENT.		Tyco Electronics Corporation Harrisburg, Pa 17105-3608	
FOR ADDITIONAL PRODUCT INFORMATION OR COPIES OF DRAWINGS AND TECHNICAL DOCUMENTS	PRODUCT INFORMATION CENTER 1-800-522-6752	VOLTAGE RATING: -	DIMENSIONS: mm [INCHES]	TOLERANCES UNLESS OTHERWISE SPECIFIED: 0 PLC ± - 1 PLC ± - 2 PLC ± 0.20 [.008] 3 PLC ± - 4 PLC ± - ANGLES ± -	DWN L OLMEDA 100CT94 CHK M ELLIS 100CT94 APVD S BORTNER 100CT94	NAME TERMINAL, RING TONGUE, STRATOTHERM, DIAMOND GRIP, WIRE SIZE: 22-16 AWG
FOR APPLICATION	TOOLING ASSISTANCE CENTER 1-800-722-1111	CIRCULAR MIL AREA: 0.26-1.65mm² [509-3260] STRANDED	MATERIAL	FINISH	PRODUCT SPEC	RESTRICTED TO
TOOLING INFORMATION			SEE TABLE	SEE TABLE	APPLICATION SPEC	
FOR ORDER ENTRY	1-800-526-5142	THIS DRAWING IS A CONTROLLED DOCUMENT FOR AMP INCORPORATED. IT IS SUBJECT TO CHANGE AND THE CONTROLLING ENGINEERING ORGANIZATION SHOULD BE CONTACTED FOR THE LATEST REVISION.			WEIGHT	SIZE CAGE CODE DRAWING NO
						A3 00779 C-322363
					CUSTOMER DRAWING	SCALE 6:1 SHEET 1 OF 1 REV L

AMP 1470-19 REV 31MAR2000