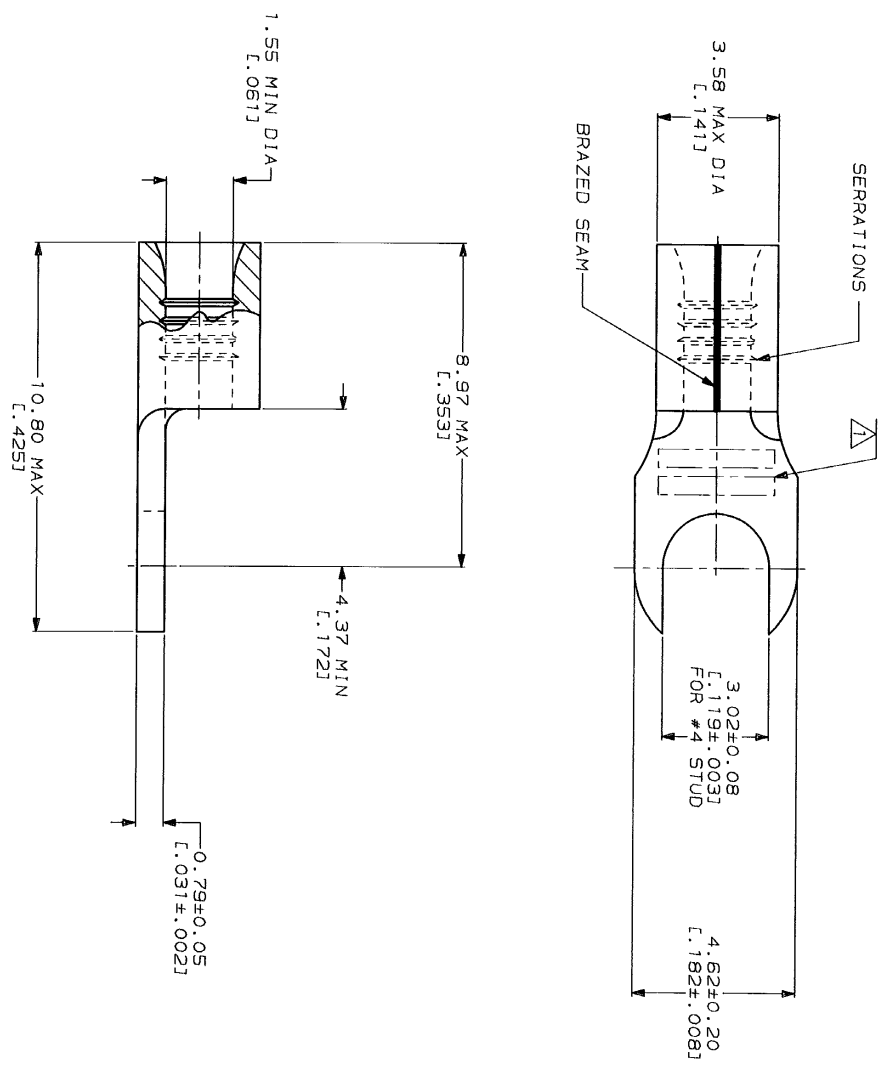


LOC	QTY	REV	DATE	APP
G 14	P	F		
D	REV, RDRY, & SW PKG PER 0720-0040-93	4-9-93		



AMP WIRE RANGE	UL E13288 Listed
22-16 AWG SOLID OR STRANDED	22-16 AWG SOLID OR STRANDED
LR7189 Certified	MILITARY P/W AND CLASS
22-16 AWG SOLID OR STRANDED	NOT APPLICABLE

△ STAMP AMP 22-18* APPROX AS SHOWN
 22-16 TERMINALS ARE STAMPED 22-18 IN
 ACCORDANCE WITH MILITARY SPECIFICATION
 MIL-T-7928, COMMERCIAL WIRE RANGE IS 22-16



**AMP INCORPORATED
 CUSTOMER SERVICE SYSTEMS**

FOR ADDITIONAL
 PRODUCT INFORMATION OR
 COPIES OF DRAWINGS
 AND TECHNICAL DOCUMENTS
 FOR APPLICATION
 TOOLING INFORMATION
 FOR ORDER ENTRY

PRODUCT INFORMATION CENTER
 1-800-522-6752
 TOOLING ASSISTANCE CENTER
 1-800-722-1111
 1-800-526-5142

MAX RECOMMENDED OPERATING
 TEMPERATURE: 170°C MAX
 VOLTAGE RATING:
 NOT APPLICABLE
 WIRE CROSS SECTIONAL AREA RANGE:
 0.26-1.65mm² (509-3,260) CIR MILS
 SOLID OR STRANDED

DO NOT SCALE PRINT.
 DIMENSIONS SPECIFIED
 UNLESS OTHERWISE
 TOLERANCES ON:
 2 PLG DEC ± .1
 3 PLG DEC ± .1
 ANGLES ± .1
 MATERIAL
 COPPER PER
 ASTM B-152
 ANNEALED

FINISH TIN PLATE
 0.002541(.000100) MIN
 THK PER MIL-T-10727

DR 4-8-93
 CHK 4-8-93
 DA PATTERMAN
 APPD 4-8-93
 DE MILLER
 APPD 4-8-93
 JL MECKLEY
 PRODUCT SPEC
 APPLICATION SPEC
 WEIGHT

NAME
 TERMINAL, SLOTTED
 RING TONGUE, SOLISTRAND™
 SIZE
 CAGE CODE
 00779
 DRAWING NO
 321288
 SCALE
 10:1
 SHEET
 1 OF 1

QUANTITY	PACKAGE TYPE	PART NO
100	LOOSE PIECE, BOX	8-321288-1
---	LOOSE PIECE	321288

AMP
 AMP Incorporated
 Harrisburg, PA 17105-3608