

4



3

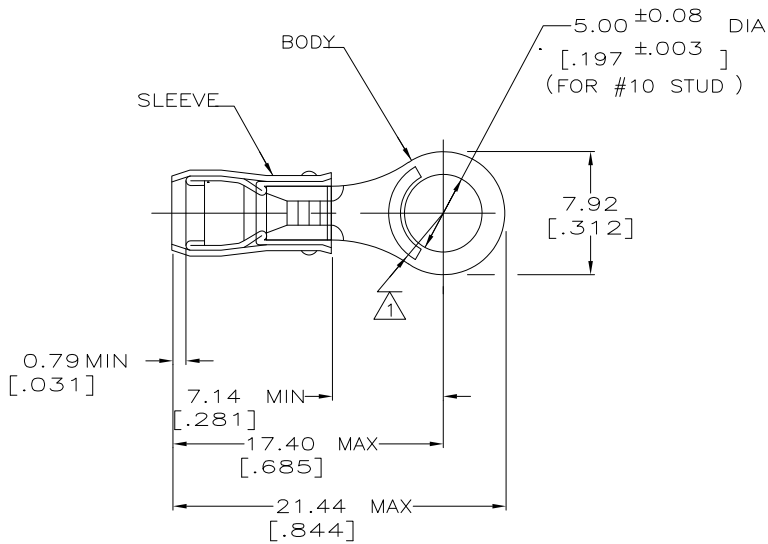
2

1

THIS DRAWING IS UNPUBLISHED. RELEASED FOR PUBLICATION  
 © COPYRIGHT - By - ALL RIGHTS RESERVED.

LOC	DIST	REVISIONS			
P	LTR	DESCRIPTION	DATE	DWN	APVD
	Z1	REVISED PER ECO-11-004587	11MAR11	RK	HMR


<b>AMP</b> WIRE RANGE	 E13288 Listed	 LR7189 Certified
22-16 AWG SOLID OR STRANDED	22-16 AWG SOLID OR STRANDED	22-16 AWG SOLID OR STRANDED



- △ STAMP AMP 22-18\* APPROX AS SHOWN  
 22-16 TERMINALS ARE STAMPED 22-18 IN  
 ACCORDANCE WITH MILITARY SPEC MIL-T-7928  
 COMMERCIAL WIRE RANGE IS 22-16
- 2 WIRE INSULATION DIA: 2.03 - 3.18  
 [.080 - .125]
- 3 TONGUE MATERIAL THK: 0.79±0.05  
 [.031±.002]

-	100	LOOSE PIECE, BOX	6-36153-1
MS25036-103 CLASS 2	5000	ON TAPE, REEL	2-36153-2
MS25036-103 CLASS 1 & 2	1000	LOOSE PIECE	36153
MILITARY P/N AND CLASS	QUANTITY	PACKAGE TYPE	PART NO

AMP INCORPORATED CUSTOMER SERVICE SYSTEMS		MAX RECOMMENDED OPERATING TEMPERATURE: 105° C MAX
FOR ADDITIONAL PRODUCT INFORMATION OR COPIES OF DRAWINGS AND TECHNICAL DOCUMENTS	PRODUCT INFORMATION CENTER 1-800-522-6752	VOLTAGE RATING: 300 V MAX
FOR APPLICATION TOOLING INFORMATION	TOOLING ASSISTANCE CENTER 1-800-722-1111	CIRCULAR MIL AREA: 0.26-1.65mm <sup>2</sup> [509-3.26] CIR MILS SOLID OR STRANDED
FOR ORDER ENTRY	1-800-526-5142	THIS DRAWING IS A CONTROLLED DOCUMENT FOR AMP INCORPORATED. IT IS SUBJECT TO CHANGE AND THE CONTROLLING ENGINEERING ORGANIZATION SHOULD BE CONTACTED FOR THE LATEST REVISION.

THIS DRAWING IS A CONTROLLED DOCUMENT.		DWN DK SCHRUM 9/8/93	 TE Connectivity	
DIMENSIONS: mm [INCHES]		CHK RE HERSEY 9/8/93		
TOLERANCES UNLESS OTHERWISE SPECIFIED:		APVD ML ELLIS 9/8/93	NAME TERMINAL, RING TONGUE, PIDG, WIRE SIZE, 22-16 AWG	
0 PLC ± - 1 PLC ± - 2 PLC ± 0.20[.008] 3 PLC ± - 4 PLC ± - ANGLES ± -		PRODUCT SPEC UL 486A	RESTRICTED TO	
MATERIAL COPPER PER ASTM B-152 SLEEVE, RED NYLON		APPLICATION SPEC NOT AVAILABLE	SIZE A3	CAGE CODE 00779
FINISH TIN PLATE PER ASTM B545		WEIGHT -	DRAWING NO C-36153	SCALE NTS
		CUSTOMER DRAWING	SHEET 1 of 2	REV Z1

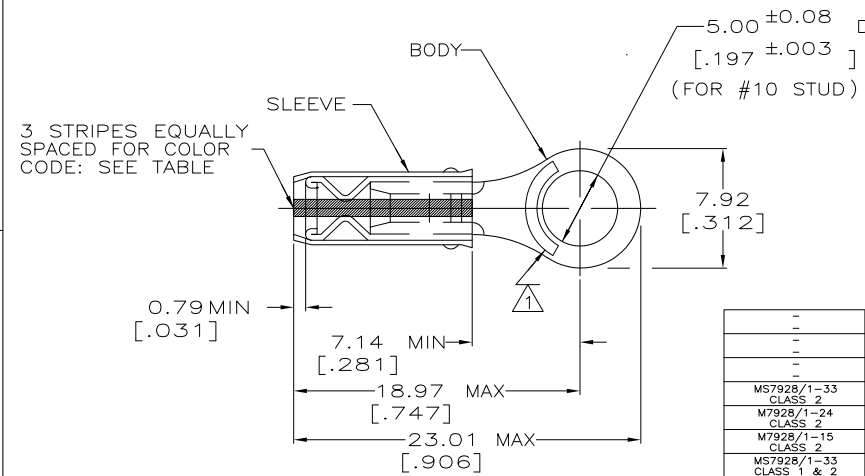
1470-19 (3/11)

THIS DRAWING IS UNPUBLISHED. RELEASED FOR PUBLICATION  
 © COPYRIGHT - By - ALL RIGHTS RESERVED.

LOC	DIST	REVISIONS					
G	14	P	LTR	DESCRIPTION	DATE	DWN	APVD
		-		SEE SHEET 1	-	-	-

**AMP**  
WIRE RANGE

SEE TABLE  
STRANDED



1 STAMP AMP APPROX AS SHOWN SEE TABLE BELOW

2 WIRE INSULATION DIA: 0.97 - 2.79 FOR 22 AWG [.038 - .110]  
 1.17 - 2.79 FOR 20 AWG [.046 - .110]  
 1.42 - 2.79 FOR 18 AWG [.056 - .110]

3 TONGUE MATERIAL THK: 0.79±0.05 [.031±.002]

-	WHITE	18*	18	100	LOOSE PIECE, BOX	9-36153-1
-	RED	20*	20	100	LOOSE PIECE, BOX	8-36153-1
-	GREEN	22*	22	100	LOOSE PIECE, BOX	7-36153-1
MS7928/1-33 CLASS 2	WHITE	18*	18	5000	ON TAPE, REEL	2-36153-9
M7928/1-24 CLASS 2	RED	20*	20	5000	ON TAPE, REEL	2-36153-8
M7926/1-15 CLASS 2	GREEN	22*	22	5000	ON TAPE, REEL	2-36153-6
MS7928/1-33 CLASS 1 & 2	WHITE	18*	18	1000	LOOSE PIECE	2-36153-5
M7928/1-24 CLASS 1 & 2	RED	20*	20	1000	LOOSE PIECE	2-36153-4
M7928/1-15 CLASS 1 & 2	GREEN	22*	22	1000	LOOSE PIECE	2-36153-3
MILITARY P/N AND CLASS	STRIPE COLOR	STAMPING	WIRE SIZE	QUANTITY	PACKAGE TYPE	PART NO

**AMP INCORPORATED**  
CUSTOMER SERVICE SYSTEMS

MAX RECOMMENDED OPERATING TEMPERATURE: 105° C MAX

VOLTAGE RATING: 300 V MAX

WIRE RANGE: 22 20 18  
 CIRC MIL AREA: 0.38mm² [754] 0.60mm² [1,186] 0.96mm² [1,900]  
 STRANDED

FOR ADDITIONAL PRODUCT INFORMATION OR COPIES OF DRAWINGS AND TECHNICAL DOCUMENTS FOR APPLICATION TOOLING INFORMATION FOR ORDER ENTRY

PRODUCT INFORMATION CENTER 1-800-522-6752  
 TOOLING ASSISTANCE CENTER 1-800-722-1111  
 1-800-526-5142

THIS DRAWING IS A CONTROLLED DOCUMENT FOR AMP INCORPORATED. IT IS SUBJECT TO CHANGE AND THE CONTROLLING ENGINEERING ORGANIZATION SHOULD BE CONTACTED FOR THE LATEST REVISION.

THIS DRAWING IS A CONTROLLED DOCUMENT.

DIMENSIONS: mm [INCHES]

TOLERANCES UNLESS OTHERWISE SPECIFIED:  
 0 PLC ± -  
 1 PLC ± -  
 2 PLC ± 0.20[.008]  
 3 PLC ± -  
 4 PLC ± -  
 ANGLES ± -

MATERIAL: COPPER PER ASTM B-152 SLEEVE, RED NYLON

FINISH: TIN PLATE PER ASTM B545

DWN: DK SCHRUM 9/8/93  
 CHK: RE HERSEY 9/8/93  
 APVD: ML ELLIS 9/8/93

NAME: **STE** TE Connectivity

TERMINAL, RING TONGUE, I.R., PIDG™ WIRE SIZE, 22-16 AWG

APPLICATION SPEC: NOT AVAILABLE

WEIGHT: -

CUSTOMER DRAWING

SCALE: NTS SHEET 2 of 2 REV 1

SIZE: A3 CAGE CODE: 00779 DRAWING NO: C-36153 RESTRICTED TO: -