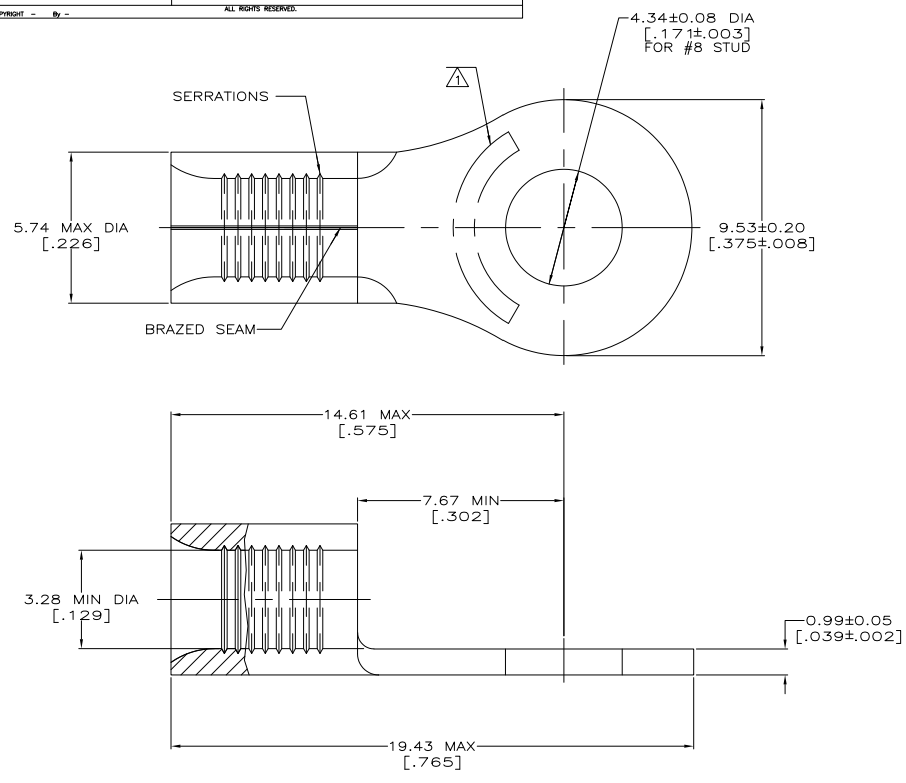


THIS DRAWING IS UNPUBLISHED. RELEASED FOR PUBLICATION. ALL RIGHTS RESERVED.

REV	DATE	DESCRIPTION	DAP	DATE	BY	APPD
G	14					
E2		REVISED PER ECO-11-004820		11MAR11	RK	HMR

AMP WIRE RANGE	Listed FILE E13288	LR7189 Certified
12-10 AWG SOLID OR STRANDED	12-10 AWG STRANDED	12-10 AWG SOLID OR STRANDED



- △ STAMP AMP 12-10\* APPROX AS SHOWN
- △ COPPER PER ASTM B-152, ANNEALED
- △ TIN PLATE 0.00254 [.000100] MIN THK PER ASTM B545
- △ TIN/LEAD (93-7) PLATE PER ASTM B545 ( 3% MIN LEAD CONTENT ).

QUANTITY	FINISH	PACKAGING TYPE	PART NO.
25	△3	LOOSE PIECE, BAG	8-32994-5
50	△3	LOOSE PIECE, BOX	8-32994-2
2500	△3	ON TAPE	2-32994-1
500	△4	LOOSE PIECE	32994-1
500	△3	LOOSE PIECE	32994

AMP INCORPORATED CUSTOMER SERVICE SYSTEMS		MAX RECOMMENDED OPERATING TEMPERATURE: 170°C
FOR ADDITIONAL PRODUCT INFORMATION OR COPIES OF DRAWINGS AND TECHNICAL DOCUMENTS	PRODUCT INFORMATION CENTER 1-800-522-8752	VOLTAGE RATING: N/A
FOR APPLICATION	TOOLING ASSISTANCE CENTER 1-800-722-1111	CIRCULAR MIL AREA: 2.62-6.64mm²[5,180-13,100] SOLID OR STRANDED
FOR ORDER ENTRY	1-800-526-5142	

THIS DRAWING IS A CONTROLLED DOCUMENT.		FIN TA BRINKMAN 3-17-93	TE Connectivity	
DIMENSIONS: MM (INCHES)		CHK DA PATTERSON 3-17-93	TERM	
TOLERANCES UNLESS OTHERWISE SPECIFIED:		APP JL MECKLEY 3-17-93	TERM, RING TONGUE, SOLISTRAND	
Ø 1 P/C ± .01	2 P/C ± .01	3 P/C ± .01	4 P/C ± .01	APPLIC. SPEC
MATERIAL	FINISH	WEIGHT	SIZE	CAGE CODE
△2	SEE NOTES	CUSTOMER DRAWING	A2	00779
		SCALE	10:1	SHEET 1 of 1

1471-9 (5/11)

32994