

4

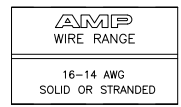
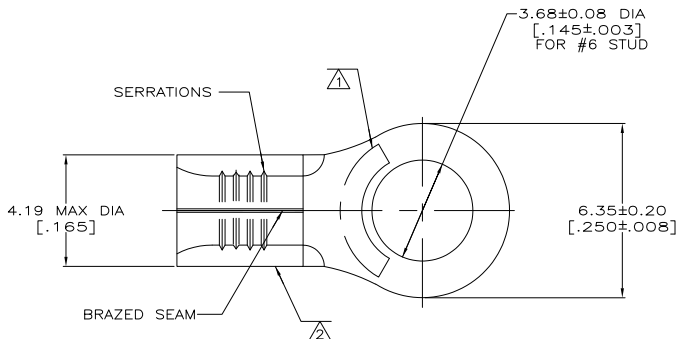
3

2

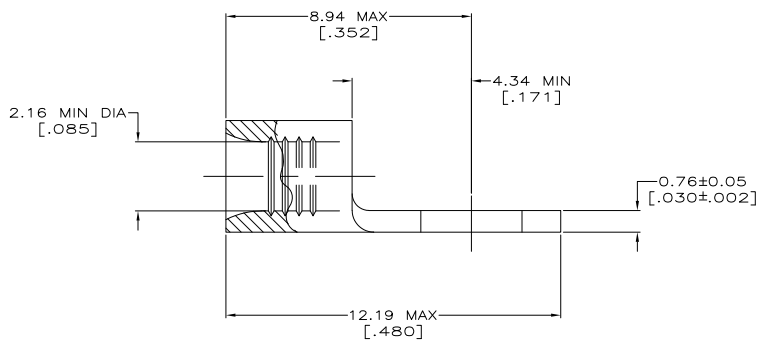
1

THIS DRAWING IS UNPUBLISHED. RELEASED FOR PUBLICATION
 © COPYRIGHT BY TYCO ELECTRONICS CORPORATION. ALL INTERNATIONAL RIGHTS RESERVED.

LOC	DIST	REVISIONS					
G	14	P	LTR	DESCRIPTION	DATE	BY	APPD
		L		REV PER ECR 09-027862	23DEC09	JR	TM



- 1 STAMP AMP 16-14 APPROX AS SHOWN
- 2 WIRE BARREL COLOR CODED ORANGE TO DENOTE NICKEL MATERIAL
- 3 NO COLOR CODING
- 4 NICKEL PER ASTM B162, ANNEALED



100	LOOSE PIECE, BOX	2	8-322329-1
5000	ON TAPE	2	2-322329-2
1000	LOOSE PIECE	3	2-322329-1
1000	LOOSE PIECE	2	322329
QTY	PACKAGE TYPE		PART NO.

CUSTOMER SERVICE SYSTEMS		MAX RECOMMENDED OPERATING TEMPERATURE:	THIS DRAWING IS A CONTROLLED DOCUMENT.		DATE	BY	APPD
FOR ADDITIONAL PRODUCT INFORMATION OR COPIES OF DRAWINGS AND TECHNICAL DOCUMENTS	PRODUCT INFORMATION CENTER 1-800-522-6752	64°F/C	DIMENSIONS: MM [INCHES]	OTHER DIMENSIONS: OTHER DIMENSIONS:	4-15-93	JA BRINKMAN	
FOR APPLICATION	TOOLING ASSISTANCE CENTER 1-800-722-1111	VOLTAGE RATING: N/A	0 PLG ± -	1 PLG ± -	4-15-93	JA PATTERSON	
TOOLING INFORMATION	1-800-722-1111	CIRCULAR MIL AREA: 1.04-2.62mm ² [2.050-5.180] SOLID OR STRANDED	2 PLG ± -	3 PLG ± -	4-15-93	JL MECKLEY	
FOR ORDER ENTRY	1-800-526-5142		4 PLG ± -	ANGLES ± -			
			MATERIAL	FINISH			

THIS DRAWING IS A CONTROLLED DOCUMENT FOR THE PURPOSES OF SUPPLYING INFORMATION. SHOULD BE CONTACTED FOR THE LATEST REVISION.

TYCO ELECTRONICS CORPORATION
Harrisburg, PA 17105-3608

TERMINAL, RING TONGUE, HIGH TEMPERATURE, STRATO-THERM™

SIZE CASE CODE DRAWING NO. RESTRICTED TO
A2 00779 C=322329

CUSTOMER DRAWING SCALE 10:1 SHEET 1 of 1 REV L

1471-9 (1/08)

322329

A