

4

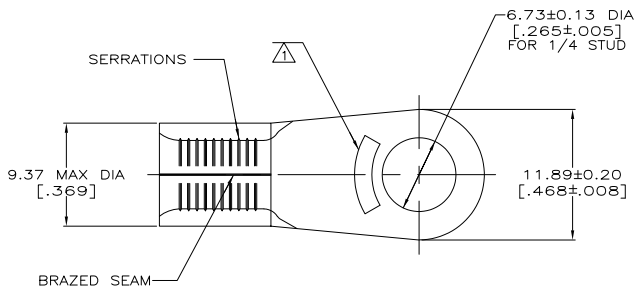
3

2

1

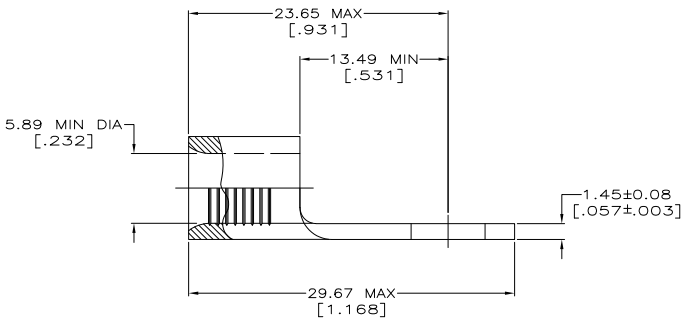
THIS DRAWING IS UNPUBLISHED. RELEASED FOR PUBLICATION
 © COPYRIGHT - By - ALL RIGHTS RESERVED.

| LOC | DIST | REVISIONS | | DATE | BY | APP'D |
|-----|------|-----------|---------------------------|---------|----|-------|
| G | 14 | P | LTR | | | |
| | | G4 | REVISED PER ECO-11-004587 | 11MAR11 | RK | HMR |



| | | |
|----------------------------|------------------------------|----------------------------|
| AMP WIRE RANGE | Listed FILE E13288 | LR7189 Certified |
| 6 AWG SOLID OR STRANDED | 6 AWG STRANDED | 6 AWG SOLID OR STRANDED |

- 1 STAMP AMP 6* APPROX AS SHOWN
- 2 P/N 2-321598-1 PRODUCED ONLY BY FOREIGN SUBSIDIARIES OF AMP INC
- 3 COPPER PER ASTM B-152, ANNEALED
- 4 MEETS MS20659-109, CLASS 2



| | | | | |
|------|------------------------|---------------------|--|--------------|
| 25 | LOOSE PIECE BAG 321598 | 170° C | TIN PLATE 0.00254[.000100] MIN THK PER MIL-T-10727 | 8-321598-5 |
| 25 | LOOSE PIECE BOX 321598 | 170° C | TIN PLATE 0.00254[.000100] MIN THK PER MIL-T-10727 | 8-321598-3 |
| 1000 | LOOSE PIECE BOX 321598 | 170° C | TIN PLATE 0.00254[.000100] MIN THK PER MIL-T-10727 | 2-321598-4 |
| 750 | 321598 ON TAPE | 170° C | TIN PLATE 0.00254[.000100] MIN THK PER MIL-T-10727 | 4 2-321598-3 |
| ---- | LOOSE PIECE | ---- | GOLD PLATE TYPE II 0.00127 [.00005] MIN THK PER MIL-G-45204 OVER NICKEL PLATE 0.000762 [.00003] MIN THK PER QQ-N-290 | 2-321598-1 |
| ---- | LOOSE PIECE | 170° C | TIN PLATE 0.00254[.000100] MIN THK PER MIL-T-10727 | 321598 |
| QTY. | PACKAGE TYPE | OPERATING TEMP, MAX | FINISH | PART NO. |

| CUSTOMER SERVICE SYSTEMS | | THIS DRAWING IS A CONTROLLED DOCUMENT. | | TE Connectivity | |
|--|--|--|--|--------------------------------|---|
| FOR ADDITIONAL PRODUCT INFORMATION OR COPIES OF DRAWINGS AND TECHNICAL DOCUMENTS | PRODUCT INFORMATION CENTER 1-800-522-6752 | RECOMMENDED OPERATING TEMPERATURE: SEE TABLE | DIMENSIONS: MM [INCHES] | APPROVED BY: JUL MECKLEY | DATE: 3-24-93 |
| FOR APPLICATION TOOLING INFORMATION | TOOLING ASSISTANCE CENTER 1-800-722-1111 | VOLTAGE RATING: NOT APPLICABLE | OTHER DIMENSIONS: 0 PLC ± . 1 PLC ± . 2 PLC ± . 3 PLC ± . 4 PLC ± . ANGLES ± . | APPLICATION SPEC: | SIZE CASE CODE DRAWING NO: A2 00779 C=321598 |
| FOR ORDER ENTRY | 1-800-526-5142 | WIRE CROSS SECTIONAL AREA RANGE: 10.5-16.8mm² [20,800-33,100] CIR MILS SOLID OR STRANDED | MATERIAL: SEE TABLE | FINISH: SEE TABLE | RESTRICTED TO: CUSTOMER DRAWING |
| | | | | SCALE: 4:1 SHEET 1 of 1 REV G4 | |

1471-9 (3/11)

321598

A