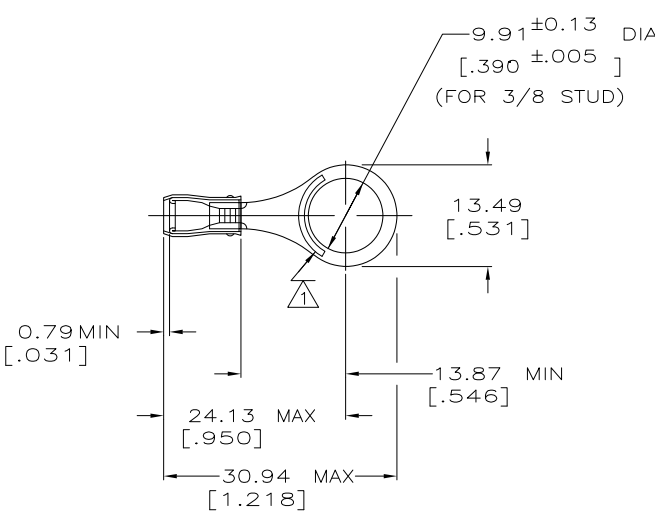


THIS DRAWING IS UNPUBLISHED. RELEASED FOR PUBLICATION  
 © COPYRIGHT - By - ALL RIGHTS RESERVED.

LOC	DIST	REVISIONS					
G	14	P	LTR	DESCRIPTION	DATE	DWN	APVD
		W1		REVISED PER ECO-11-004917	11MAR11	RK	HMR



<b>AMP</b> WIRE RANGE	E13288 Listed	LR7189 Certified
22-16 AWG SOLID OR STRANDED	22-16 AWG SOLID OR STRANDED	22-16 AWG SOLID OR STRANDED

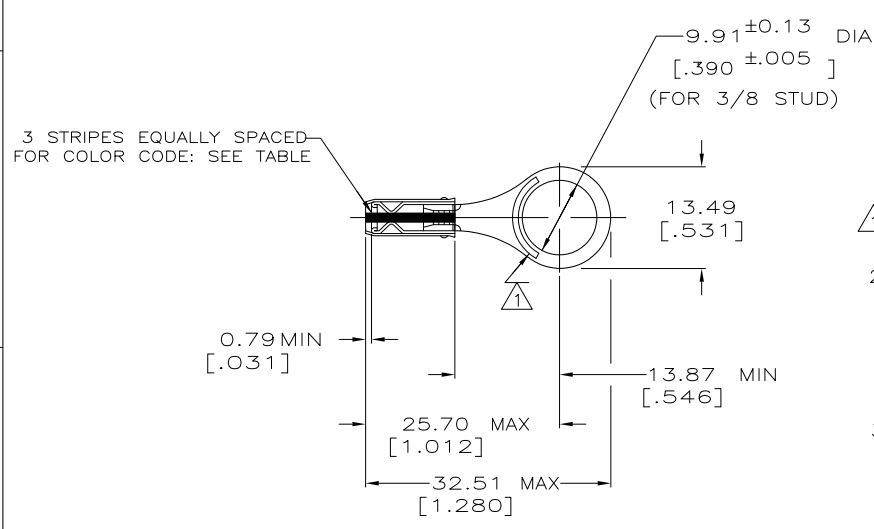
- 1 STAMP AMP 22-18\* LOCATE APPROX AS SHOWN  
22-16 TERMINALS ARE STAMPED 22-18 IN  
ACCORDANCE WITH MILITARY SPEC MIL-T-7928  
COMMERCIAL WIRE RANGE IS 22-16
- 2 WIRE INSUL DIA: 2.03 [.080] - 3.18 [.125]
- 3 TONGUE MATERIAL THK: 0.79 ± 0.05 [.031 ± .002]

-	-	100	LOOSE PIECE, BOX	8-320573-1
MS 25036-105	CLASS 2	5000	ON TAPE	2-320573-4
MS 25036-105	CLASS 1 & 2	1000	LOOSE PIECE	320573
MILITARY P/N AND CLASS		QUANTITY	PACKAGE TYPE	PART NO

<b>AMP INCORPORATED</b> <b>CUSTOMER SERVICE SYSTEMS</b>		MAX RECOMMENDED OPERATING TEMPERATURE: 105	THIS DRAWING IS A CONTROLLED DOCUMENT.		DWN DK SCHRUM 9/93 CHK RE HERSEY 9/93	TE Connectivity	NAME TERMINAL, RING TONGUE, PIDG™, WIRE SIZE, 22-16 AWG	SIZE A3	CAGE CODE 00779	DRAWING NO C=320573	RESTRICTED TO -
FOR ADDITIONAL PRODUCT INFORMATION OR COPIES OF DRAWINGS AND TECHNICAL DOCUMENTS 1-800-522-6752	PRODUCT INFORMATION CENTER 1-800-522-6752	VOLTAGE RATING: 300 V MAX	DIMENSIONS: MM(INCHES)	TOLERANCES UNLESS OTHERWISE SPECIFIED: 0 PLC ± - 1 PLC ± - 2 PLC ± 0.20 [.008] 3 PLC ± - 4 PLC ± - ANGLES ± -	APVD ML ELLIS 9/93 PRODUCT SPEC UL 486A APPLICATION SPEC NOT AVAILABLE						
FOR APPLICATION TOOLING ASSISTANCE CENTER 1-800-722-1111	TOOLING INFORMATION 1-800-526-5142	CIRCULAR MIL AREA: 0.26-1.65mm SOLID OR STRANDED	MATERIAL COPPER PER ASTM B-152 SLEEVE, RED NYLON	FINISH TIN PLATE PER ASTM B 545	CUSTOMER DRAWING		SCALE 2:1	SHEET 1 of 2	REV W1		

THIS DRAWING IS UNPUBLISHED. RELEASED FOR PUBLICATION  
 © COPYRIGHT - By - ALL RIGHTS RESERVED.

LOC	DIST	REVISIONS					
G	14	P	LTR	DESCRIPTION	DATE	DWN	APVD
		W1		REVISED PER ECO-11-004917	11MAR11	RK	HMR



**AMP**  
WIRE RANGE

---

SEE TABLE  
STRANDED

- 1 STAMP AMP LOCATE APPROX AS SHOWN SEE TABLE BELOW
- 2 WIRE INSULATION DIA: 0.97 - 2.79 FOR 22 AWG [.038 - .110]  
1.17 - 2.79 FOR 20 AWG [.046 - .110]  
1.42 - 2.79 FOR 18 AWG [.056 - .110]
- 3 TONGUE MATERIAL THK: 0.79 ± 0.05 [.031 ± 0.002]

-	RED	20*	20	250	LOOSE PIECE	8-320573-5
M7928/1-36 CLASS 1 & 2	WHITE	18*	18	1000	LOOSE PIECE	2-320573-3
M7928/1-27 CLASS 1 & 2	RED	20*	20			2-320573-2
M7928/1-18 CLASS 1 & 2	GREEN	22*	22			2-320573-1
MILITARY P/N AND CLASS	STRIPE COLOR	STAMPING	WIRE SIZE	QTY	PACKAGE TYPE	PART NO

<b>AMP INCORPORATED</b> <b>CUSTOMER SERVICE SYSTEMS</b>		MAX RECOMMENDED OPERATING TEMPERATURE: 105° C MAX VOLTAGE RATING: 300 V MAX WIRE RANGE: 22 0.38mm <sup>2</sup> [754] 20 0.60mm <sup>2</sup> [1,186] 18 0.96mm <sup>2</sup> [1,900] STRANDED	THIS DRAWING IS A CONTROLLED DOCUMENT. DIMENSIONS: MM(INCHES) 	TOLERANCES UNLESS OTHERWISE SPECIFIED: 0 PLC ± - 1 PLC ± - 2 PLC ± 0.20[.008] 3 PLC ± - 4 PLC ± - ANGLES ± -	DWN DK SCHRUM 9/93 CHK RE HERSEY 9/93 APVD ML ELLIS 9/93 PRODUCT SPEC - APPLICATION SPEC NOT AVAILABLE WEIGHT -	<b>STE</b> TE Connectivity NAME TERMINAL, RING TONGUE, I.R., PIDG™, WIRE SIZE, 22-16 AWG SIZE CAGE CODE DRAWING NO RESTRICTED TO A3 00779 C=320573 -
FOR ADDITIONAL PRODUCT INFORMATION OR COPIES OF DRAWINGS AND TECHNICAL DOCUMENTS PRODUCT INFORMATION CENTER 1-800-522-6752 FOR APPLICATION TOOLING ASSISTANCE CENTER TOOLING INFORMATION 1-800-722-1111	FOR ORDER ENTRY 1-800-526-5142 <small>THIS DRAWING IS A CONTROLLED DOCUMENT FOR AMP INCORPORATED. IT IS SUBJECT TO CHANGE AND THE CONTROLLING ENGINEERING ORGANIZATION SHOULD BE CONTACTED FOR THE LATEST REVISION.</small>	MATERIAL COPPER PER ASTM B-152 SLEEVE, RED NYLON FINISH TIN PLATE PER ASTM B 545	CUSTOMER DRAWING SCALE 2:1 SHEET 2 of 2 REV W1			