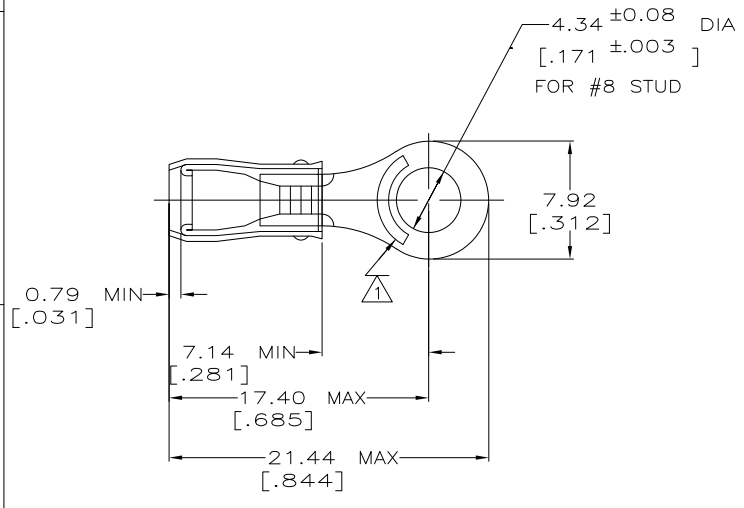


THIS DRAWING IS UNPUBLISHED. RELEASED FOR PUBLICATION
 © COPYRIGHT -- By -- ALL RIGHTS RESERVED.

| LOC | DIST | REVISIONS | | | | |
|-----|------|-------------|---------------------------|---------|--------|--|
| P | LTR | DESCRIPTION | DATE | DWN | APVD | |
| G | 14 | U1 | REVISED PER ECO-11-004917 | 11MAR11 | RK HMR | |

| | | |
|--------------------------------|--------------------------------|--------------------------------|
| AMP WIRE RANGE | Listed | LR7189 Certified |
| 22-16 AWG SOLID OR STRANDED | 22-16 AWG SOLID OR STRANDED | 22-16 AWG SOLID OR STRANDED |



- ⚠ STAMP AMP 22-18* APPROX AS SHOWN
 22-16 TERMINALS ARE STAMPED 22-18 IN
 ACCORDANCE WITH MILITARY SPEC MIL-T-7928
 COMMERCIAL WIRE RANGE IS 22-16
- 2 WIRE INSULATION DIA: .080 - .125
- 3 TONGUE MATERIAL THK: 0.79 ±0.05 [.031 ±0.002]
- ⚠ TIN PL 0.00254 [.000100] MIN EXT
 THK PER MIL-T-10727
- ⚠ GOLD PL 0.00127 [.000050] MIN EXT
 THK PER MIL-G-45204 TYPE II OVER
 NICKEL PL 0.00762 [.000030] MIN EXT
 THK PER QQ-N-290

| | | | |
|------------------------|----------|--------------|-------------|
| - | - | LOOSE PIECE | ⚠ 2-31888-1 |
| - | - | LOOSE PIECE | ⚠ 31888 |
| MILITARY P/N AND CLASS | QUANTITY | PACKAGE TYPE | PART NO |

| | | | | |
|--|--|-----------------------------------|---|-----------------------|
| THIS DRAWING IS A CONTROLLED DOCUMENT. | | DWN DK SCHRUM 02/11/93 | TE Connectivity | |
| | | CHK RE HERSEY 4/28/93 | | |
| DIMENSIONS: MM[INCHES] | TOLERANCES UNLESS OTHERWISE SPECIFIED: | APVD ML ELLIS 4/28/93 | NAME | |
| | 0 PLC ± - 1 PLC ± - 2 PLC ± 0.20[.008] 3 PLC ± - 4 PLC ± - ANGLES ± - | PRODUCT SPEC UL 486A | TERMINAL, RING TONGUE, PIDG™, WIRE SIZE, 22-16 AWG | |
| MATERIAL COPPER PER ASTM B-152 SLEEVE, RED VINYL | FINISH SEE | APPLICATION SPEC NOT AVAILABLE | SIZE A300779 | DRAWING NO C=31888 |
| | | WEIGHT - | RESTRICTED TO - | |
| | | CUSTOMER DRAWING | SCALE 4:1 | SHEET 1 of 1 |
| | | | REV U1 | |