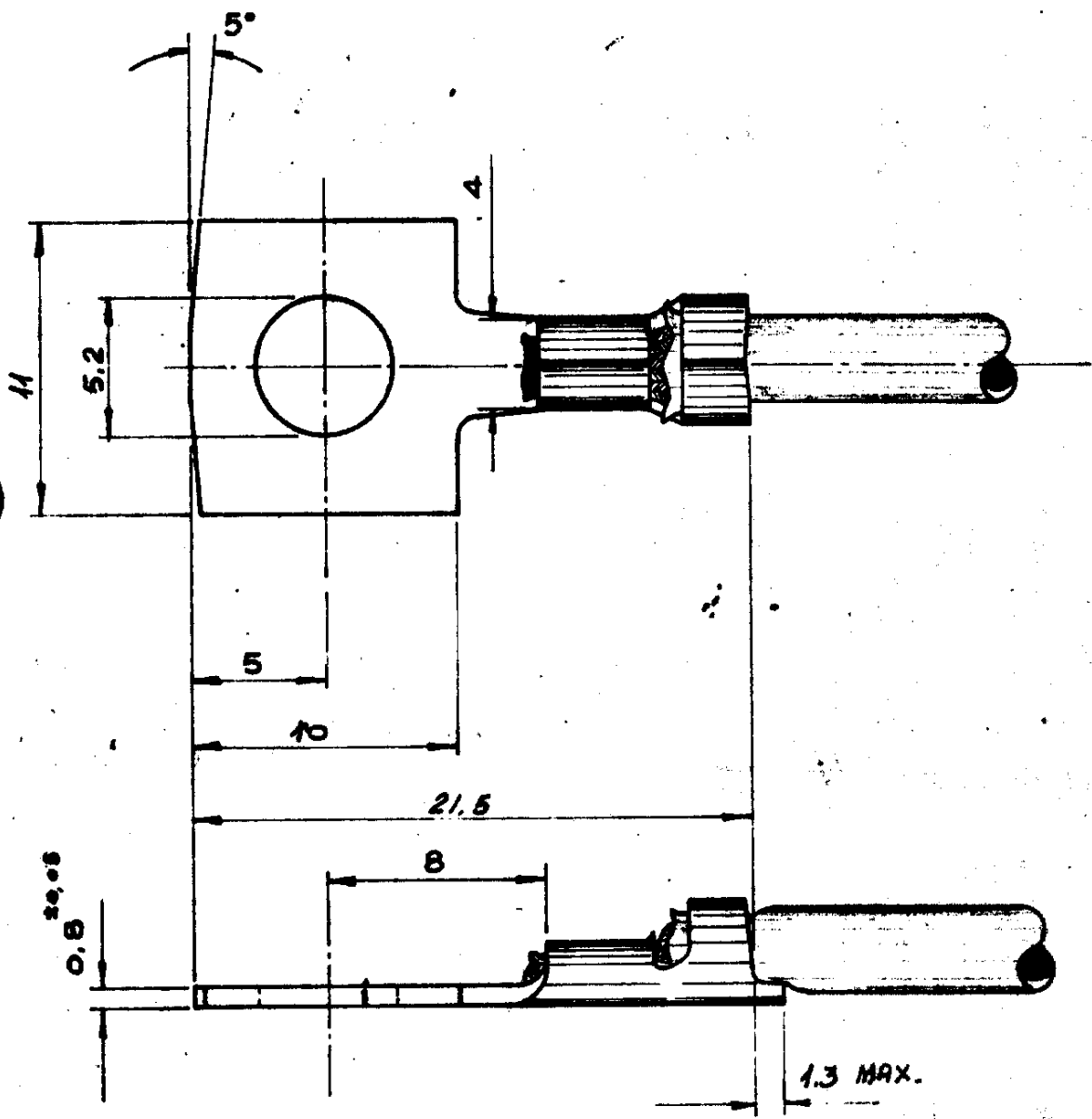


NUMBER  
**180390**



REVISIÓ DE MATERIALS  
MATERIALS 0,4

DIMENSIONS IN INCHES. DO NOT SCALE PRINT

F	REVISED	R.R.		12-11
E	ADDED MAT. & FINISH	R.R.		12-10
D	21,5 DIM. WAS 20,4	V.R.		1/7/68
C	0,4 TOLL. WAS 0,1	V.R.		1/7/68
B	0,8 <sup>29.08</sup> WAS 0,8	V.R.		1/7/68
A	180390 WAS IA-3-5014	TF		12-4-63
LTR	REVISION RECORD	DR	CHK	DATE
DR	F. TREVISIOL 10-26-63	DE		
CHK		APP	G.F. & VARIO	

© 1973 BY AMP INCORPORATED ALL RIGHTS RESERVED. AMP PRODUCTS COVERED BY PATENTS AND/OR PATENTS PENDING.

**CUSTOMER COPY  
REFERENCE ONLY**

MATERIAL AND FINISH  
180390-1 BRASS  
180390-2 TIN PL. BRASS

**AMP** AMP ESPAÑOLASA  
BARCELONA (ESPAÑA)

WIRE RANGE INSULATION TYPE  
1-2.5 mm.<sup>2</sup> 4 mm. MAX. SQ. T.

CLASS A.M.

TOLERANCE EXCEPT AS NOTED SCALE LOC NO REV  
1:1 4-1 A A 180390

NAME SQUARE TONGUE

CD/A