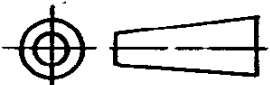


DO NOT SCALE

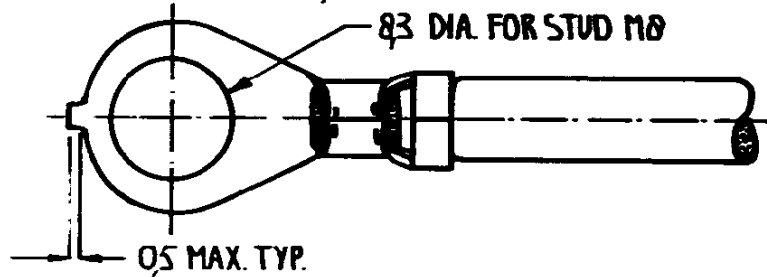
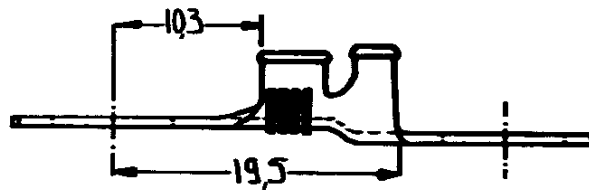
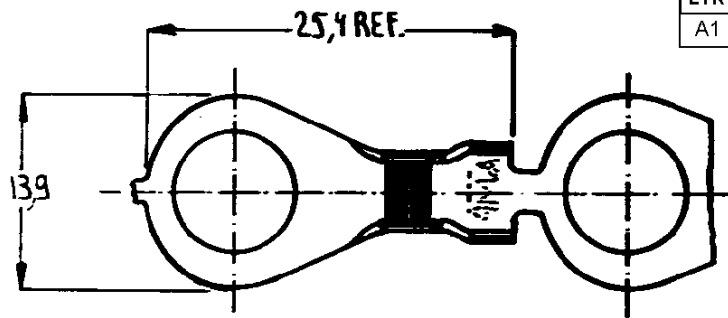
DIMENSIONS IN mm

METRIC

THIRD ANGLE PROJECTION



LTR	REVISION RECORD	DWN	CHK	DATE
A1	ECO-09-025273	KK	AEG	13NOV09



- NOTES: **1** FOR USE ON STANDARD AND MINIATURE APPLICATORS
2 REELED WITH PAPER COVER
3 OBSOLETE PARTS: OBSOLETE CIS STREAMLINING PER D.RENAUD/D.SINISI

NOTES	FINISH	MATERIAL	PART NUMBER
1	TIN PLATED	PHOSPHOR BRONZE	160411-6
2	UNPLATED	PHOSPHOR BRONZE	160411-5
3	UNPLATED	BRASS	160411-4
3	UNPLATED	PHOSPHOR BRONZE	160411-3
1	TIN PLATED	BRASS	160411-2
1	UNPLATED	BRASS	160411-1

CUSTOMER DRAWING

FOR REFERENCE ONLY
WILL NOT BE UPDATED

AMP

AMP-HOLLAND B.V.
's-Hertogenbosch, The Netherlands

THIS DRAWING IS UNPUBLISHED | RELEASED FOR PUBLICATION . 19

© COPYRIGHT 19 BY AMP-HOLLAND B.V.
ALL INTERNATIONAL RIGHTS RESERVED.
AMP PRODUCTS MAY BE COVERED BY U.S. AND FOREIGN PATENTS AND/OR PATENTS PENDING.

 25.11.83	WIRE RANGE	NAME	REV. DATE
	40-60 mm ²		
 28.4.83	INSUL RANGE	DRAWING NO	REV. LTR.
	38-53 DIA		
 28.4.83	SIZE	SHEET	
A4	1 OF 1		