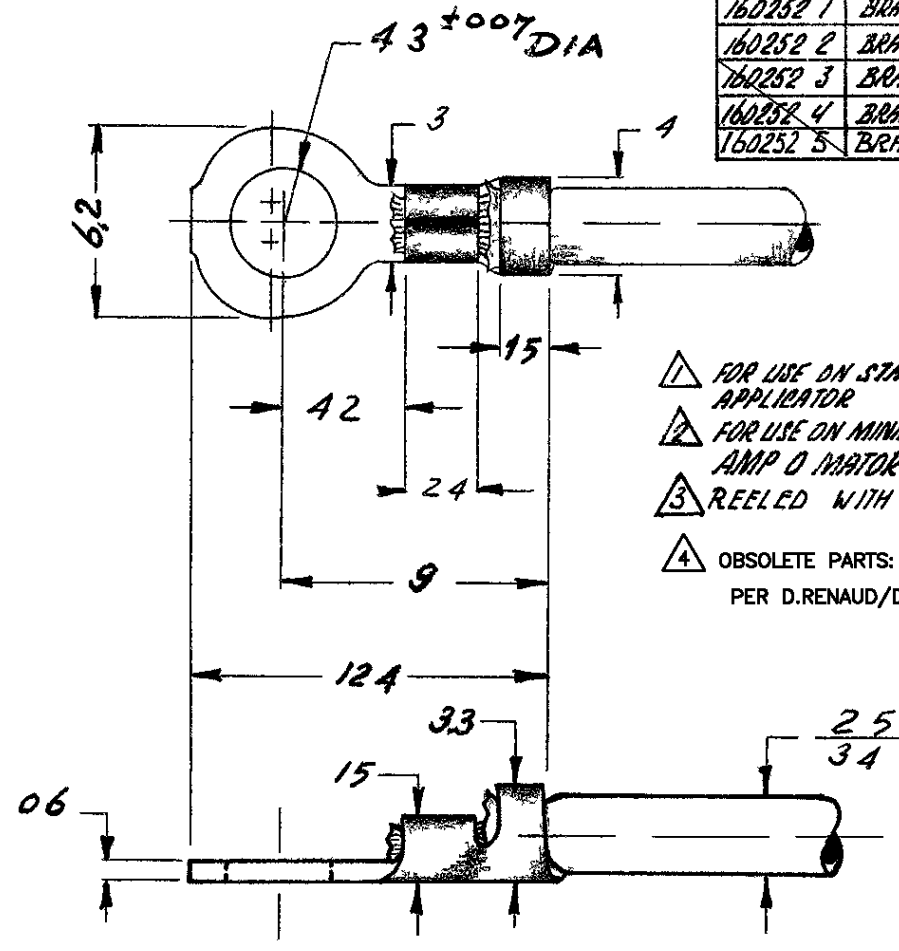


C 160252

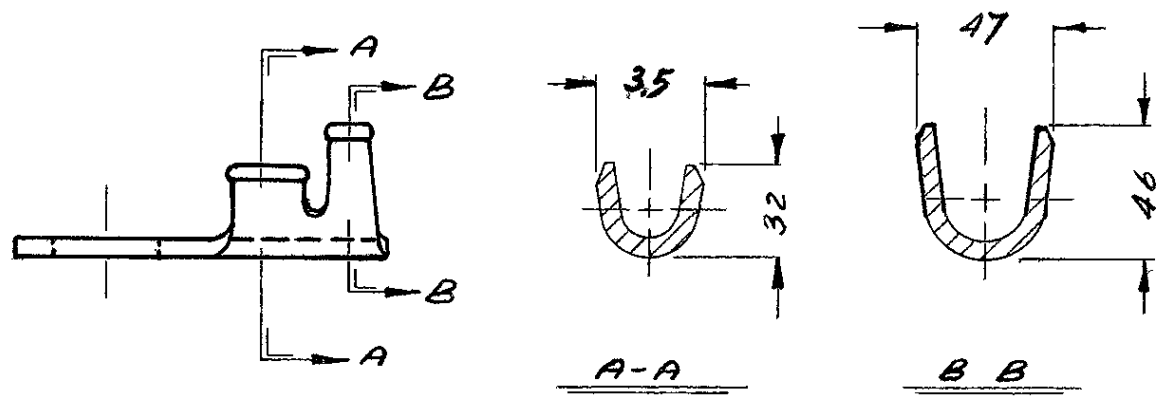
ED ON

N A T

ORDER NO	MATERIAL	PLATING	NOTE
160252 1	BRASS		1
160252 2	BRASS TINPLATED		1
160252 3	BRASS		1 2
160252 4	BRASS TINPLATED		1 2
160252 5	BRASS		1 2 3



- 1 FOR USE ON STANDARD AND MINIATURE APPLICATOR
- 2 FOR USE ON MINIATURE APPLICATOR AMP O MATOR APPLICATION
- 3 REELED WITH PAPER
- 4 OBSOLETE PARTS: OBSOLETE CIS STREAMLINING PER D.RENAUD/D.SINISI



MATERIAL **BRASS**  
 HEAT TREATMENT **N**  
 FINISH **N**

AMP Hlland NV 1959

				AMP HOLLAND NV s HEPTOGENBOSCH HOLLAND	
				WIRE TERMINAL	
B1	REVISED PER ECO-09-026346	NOV09	KK	CLASS RINGTONGUE	
B	ADDED -5	23.5.82	FB	TYPE AM	
A	ADDED TABLE AND NOTES	23.2.78	FB	SIZE 05-143 MM <sup>2</sup>	
No	ALTERAT ON	DATE	BY	TO ERANCES ALL D MENSONS EXCEP AS NO ED	
DR	JBSTS	7-9/59	TR	SCALE 4-1	
CK			APP	C-160252	