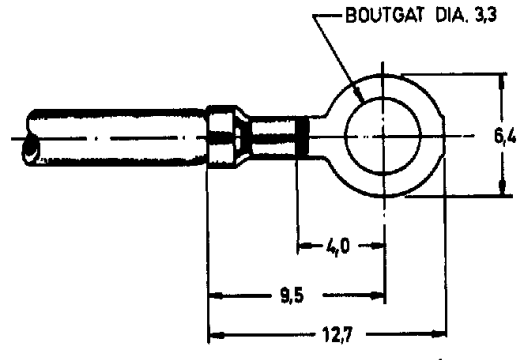


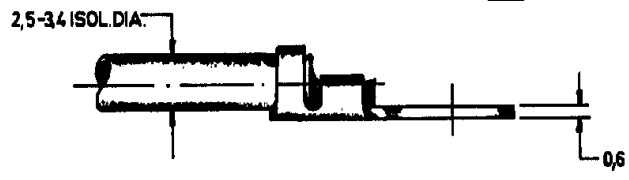
DIMENSIONS IN MM DO NOT SCALE PRINT

NUMBER
C-160189-H

LTR.	REVISION RECORD	DR.	CHK.	DATE
A1	REVISED PER ECO-09-026346	KK	AEG	25NOV09



BESTEL NR.	MATERIAL	FINISH
160189-1	M.S.78 (DN. 17660)	BLANK
160189-2	M.S.78 (DN. 17660)	VERTIND
160189-3	POSFOR BRONS	BLANK
160189-4	POSFOR BRONS	VERTIND
160189-5	M.S.78 (DN. 17660)	VERZUVERD



<p>CUSTOMER PRINT FOR REFERENCE ONLY</p> <p>©1963 BY AMP Holland N.Y. ALL RIGHTS RESERVED. A-MP PRODUCTS COVERED BY PATENTS AND/OR PATENTS PENDING.</p>	-9-8-7-6-5-4-3-2-1	DIMS SIZE	NUMBER	NAME	REMARKS	ITEM NO.	
	REQUIRED PER ASSEMBLY		ZIE TABEL	ZIE TABEL	ZIE TABEL		
	AMP	AMP-HOLLAND N.V. 1-HERTOGENBOSCH HOLLAND	TYPE A. M.	PRINT DIST H	LOC A	SIZE NUMBER C-160189-H	REV A1
	SCALE 05-1,43 mm	WIRE SIZE 05-1,43 mm	CMA MAX MIN	NAME RINGTONG MET ISOLATIE ONDERSTEUNING			