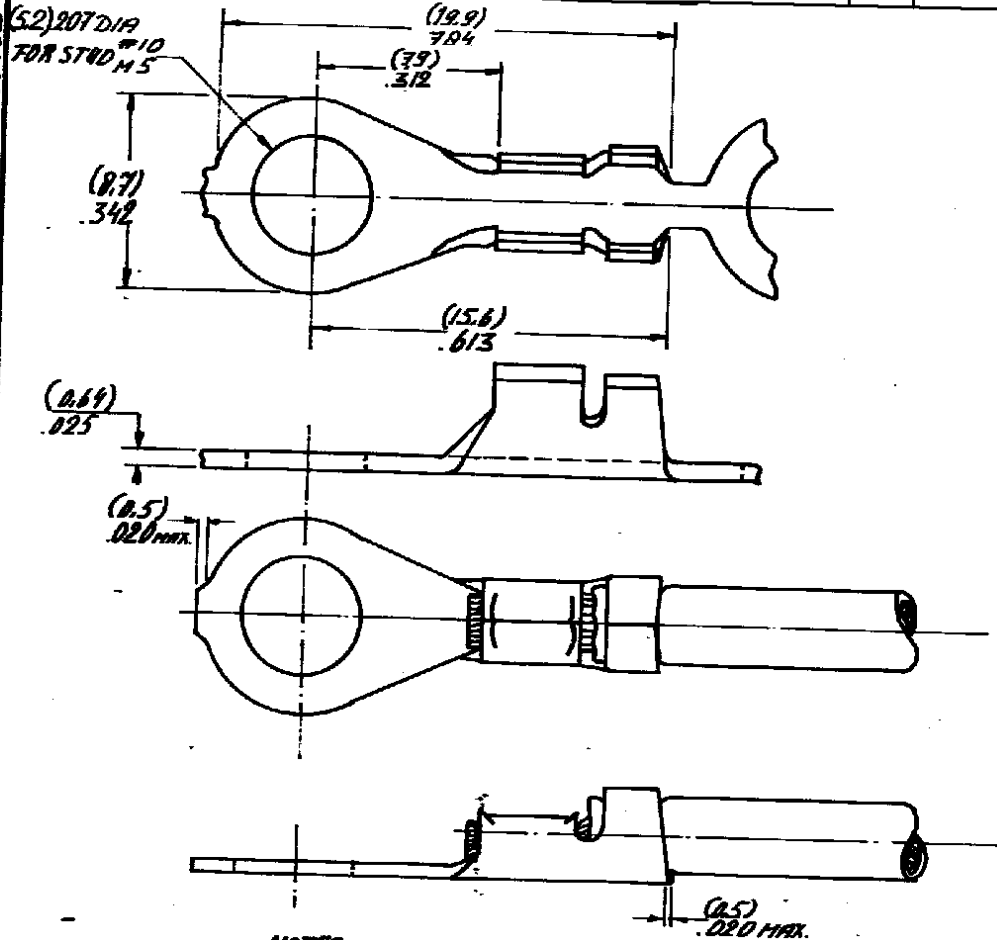


DRAWING MADE IN AMERICAN PROJECTION

LTR.	REVISION RECORD	DR.	CHK.	DATE
D2	ECR-10-022530	KK	HMR	02FEB11

160102



NOTES:

- △ OBSOLETE PARTS: OBSOLETE CIS STREAMLINING PER D.RENAUD/D.SINISI
- △ OBSOLETE
- △ FOR USE ON MINIATURE APPLICATORS (LEFT-RIGHT FEED) AND D.MOTOR APPLICATION
- △ FOR USE ON STANDARD AND MINIATURE APPLICATORS
- △ REELED WITH PAPER COVER

DIMENSIONS IN () DO NOT SCALE PART

160102-6	△	PHOSPH BRONZE	-H	△	△
160102-5	△	BRASS	-H	△	△
160102-4	△	BRASS	-H	△	△
160102-3	△	PHOSPH. BR.	-H	△	△
160102-2	△	BRASS	TIN	△	△
160102-1	△	BRASS	-H	△	△

CUSTOMER COPY FOR REFERENCE ONLY

©1980 BY TE-HOLLAND N.V. ALL RIGHTS RESERVED TE PRODUCTS COVERED BY PATENTS AND/OR PATENTS PENDING.



WIRE RANGE 20-18 AWG (0.5-1.3mm ² 20-50)	WIRE RANGE 20-18 AWG (0.5-1.3mm ² 20-50)	FIRST USED
SCALE N.T.S.	SIZE A	NO C-160102

ORDER NO.	MATERIAL	PLATING
DATE DE 4-80	DATE	DATE

DR. V. SUSTEYEN
CHK. [Signature]
DATE 11.80

NAME
RING TONGUE WITH INS. SUPPORT

D2