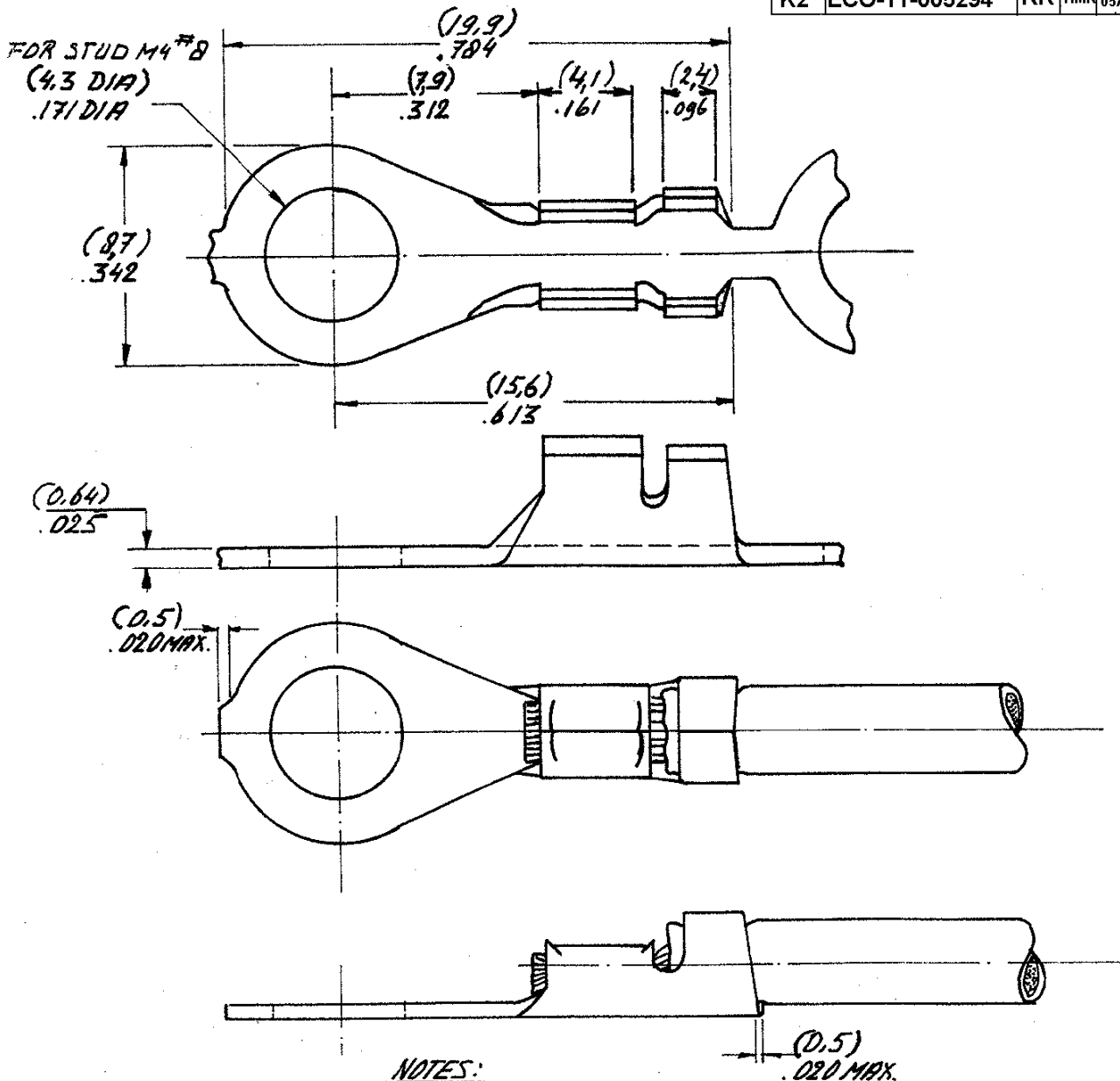


DRAWING MADE IN AMERICAN PROJECTION

LTR	REVISION RECORD	DWN	CHK	DATE
K2	ECO-11-005294	RK	HMR	05APR11

DIMENSIONS IN () IN () MM DO NOT SCALE PRINT



NOTES:

△ OBSOLETE PARTS: OBSOLETE CIS STREAMLINING PER D.RENAUD/D.SINISI

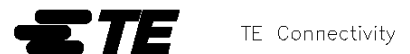
△ FOR USE ON MINIATURE APPLICATORS (LEFT-RIGHT FEED) AMP.D.I.:ATOR APPLICATION.

△ FOR USE ON STANDARD AND MINIATURE APPLICATORS.

△ REELED WITH PAPER COVER.

160101-9	△	STEEL	△	NICKEL PLATED
160101-8	2/3	PHOSPH. BRONZE	—	—
160101-7	2/3	BRASS	—	—
160101-6	4/2	STEEL	△	NICKEL PLATED
160101-4	4/1	BRASS	—	—
160101-3	4/2	PHOSPH. BRONZE	—	—
160101-2	1/1	BRASS	△	TIN PLATED
160101-1	1/2	BRASS	—	—

CUSTOMER COPY FOR REFERENCE ONLY



WIRE-RANGE 20-10 AWG 0.5-4.5 mm ²	INSUL-RANGE 0.80-1.20 DIA (2.0-3.0)	FIRST USED
--	---	------------

ORDER NO.	MATERIAL	PLATING
DR. U. SUSTEREN	25/ DATE 11.80	DE DATE
CHK. [Signature]	20/ DATE 11.80	APP. [Signature] DATE 29.1.80

SCALE N.T.S.	SIZE A	NO C-160101	REV K2
NAME RING TONGUE WITH INS. SUPPORT			