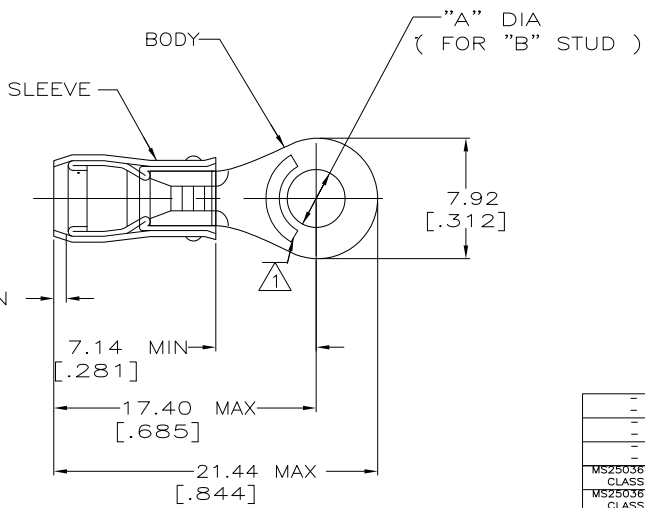


THIS DRAWING IS UNPUBLISHED. RELEASED FOR PUBLICATION
 © COPYRIGHT - By - ALL RIGHTS RESERVED.

LOC	DIST	REVISIONS			
P	LTR	DESCRIPTION	DATE	DWN	APVD
G	14	AB1	REVISED PER ECO-11-004587	11MAR11	RK HMR

AMP WIRE RANGE	E13288 Listed	LR7189 Certified
16-14 AWG SOLID OR STRANDED	16-14 AWG SOLID OR STRANDED	16-14 AWG SOLID OR STRANDED



- 1 STAMP AMP 16-14* APPROX AS SHOWN
- 2 WIRE INSULATION DIA: 2.67-3.81 [.105-.150]
- 3 TONGUE MATERIAL THK: 0.79±0.05 [.031±.002]

-	10	5.00±0.08 [.197±.003]	100	LOOSE PIECE, BOX	5-51864-1
-	8	4.34±0.08 [.171±.003]	100	LOOSE PIECE, BOX	4-51864-1
-	6	3.68±0.08 [.145±.003]	100	LOOSE PIECE, BOX	3-51864-1
MS25036-153	8	4.34±0.08 [.171±.003]	5000	ON TAPE, REEL	51864-5
MS25036-108	10	5.00±0.08 [.197±.003]	5000	ON TAPE, REEL	51864-4
MS25036-107	6	3.68±0.08 [.145±.003]	5000	ON TAPE, REEL	51864-3
MS25036-108	10	5.00±0.08 [.197±.003]	1000	LOOSE PIECE	51864-2
MS25036-153	8	4.34±0.08 [.171±.003]	1000	LOOSE PIECE	51864-1
MS25036-107	6	3.68±0.08 [.145±.003]	1000	LOOSE PIECE	51864
MILITARY P/N AND CLASS	"B"	DIM "A"	QUANTITY	PACKAGE TYPE	PART NO

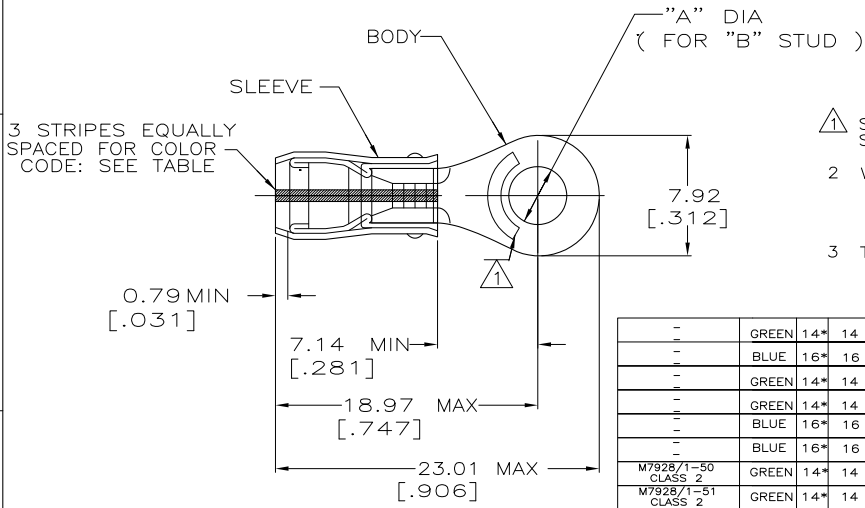
AMP INCORPORATED CUSTOMER SERVICE SYSTEMS		MAX RECOMMENDED OPERATING TEMPERATURE: 105° C MAX
FOR ADDITIONAL PRODUCT INFORMATION OR COPIES OF DRAWINGS AND TECHNICAL DOCUMENTS	PRODUCT INFORMATION CENTER 1-800-522-6752	VOLTAGE RATING: 300 V MAX
FOR APPLICATION	TOOLING ASSISTANCE CENTER 1-800-722-1111	CIRCULAR MIL AREA: 1.04-2.62mm ² [2050-5180] CIR MILS SOLID OR STRANDED
FOR ORDER ENTRY	1-800-526-5142	THIS DRAWING IS A CONTROLLED DOCUMENT FOR AMP INCORPORATED. IT IS SUBJECT TO CHANGE AND THE CONTROLLING ENGINEERING ORGANIZATION SHOULD BE CONTACTED FOR THE LATEST REVISION.

THIS DRAWING IS A CONTROLLED DOCUMENT.		DWN JR RUTH 270CT99	STE TE Connectivity	
DIMENSIONS: mm(INCHES)		CHK RE HERSEY 270CT99		
TOLERANCES UNLESS OTHERWISE SPECIFIED:		APVD C PRESNELL 270CT99	NAME TERMINAL, RING TONGUE, PIDG,™ WIRE SIZE, 16-14 AWG	
0 PLC ± - 1 PLC ± - 2 PLC ± - 3 PLC ± 0.20[.008] 4 PLC ± - ANGLES ± -		PRODUCT SPEC UL 486A	RESTRICTED TO	
MATERIAL COPPER PER ASTM B-152 SLEEVE, BLUE NYLON		FINISH TIN PLATE PER ASTM B545	SIZE A3	CAGE CODE 00779
		WEIGHT -	DRAWING NO C=51864	SCALE NTS
		CUSTOMER DRAWING	SHEET 1 of 2 REV AB1	

CUSTOMER DRAWING

THIS DRAWING IS UNPUBLISHED. RELEASED FOR PUBLICATION. ALL RIGHTS RESERVED.

LOC	DIST	REVISIONS					
G	14	P	LTR	DESCRIPTION	DATE	DWN	APVD
		AB1		REVISED PER ECO-11-004587	11MAR11	RK	HMR



- △ STAMP AMP APPROX AS SHOWN SEE TABLE BELOW
- 2 WIRE INSULATION DIA: 1.60-3.30 FOR 16 AWG [.063-.130]
1.98-3.30 FOR 14 AWG [.078-.130]
- 3 TONGUE MATERIAL THK: 0.79±0.05 [.031±.002]

AMP
WIRE RANGE
SEE TABLE
STRANDED

-	GREEN	14*	14	8	4.34±0.08	[.171±.003]	100	LOOSE PIECE, BOX	9-51864-5			
-	BLUE	16*	16	8	4.34±0.08	[.171±.003]	100	LOOSE PIECE, BOX	9-51864-3			
-	GREEN	14*	14	10	5.00±0.08	[.197±.003]	100	LOOSE PIECE, BOX	9-51864-1			
-	GREEN	14*	14	6	3.68±0.08	[.145±.003]	100	LOOSE PIECE, BOX	8-51864-1			
-	BLUE	16*	16	10	5.00±0.08	[.197±.003]	100	LOOSE PIECE, BOX	7-51864-1			
-	BLUE	16*	16	6	3.68±0.08	[.145±.003]	100	LOOSE PIECE, BOX	6-51864-1			
M7928/1-50	CLASS 2	GREEN	14*	14	8	4.34±0.08	[.171±.003]	5000	ON TAPE, REEL	1-51864-7		
M7928/1-51	CLASS 2	GREEN	14*	14	10	5.00±0.08	[.197±.003]	5000	ON TAPE, REEL	1-51864-5		
M7928/1-42	CLASS 2	BLUE	16*	16	10	5.00±0.08	[.197±.003]	5000	ON TAPE, REEL	1-51864-3		
M7928/1-40	CLASS 2	BLUE	16*	16	6	3.68±0.08	[.145±.003]	5000	ON TAPE, REEL	1-51864-2		
M7928/1-50	CLASS 1 & 2	GREEN	14*	14	8	4.34±0.08	[.171±.003]	1000	LOOSE PIECE	1-51864-1		
M7928/1-41	CLASS 1 & 2	BLUE	16*	16	8	4.34±0.08	[.171±.003]	1000	LOOSE PIECE	1-51864-0		
M7928/1-51	CLASS 1 & 2	GREEN	14*	14	10	5.00±0.08	[.197±.003]	1000	LOOSE PIECE	51864-9		
M7928/1-49	CLASS 1 & 2	GREEN	14*	14	6	3.68±0.08	[.145±.003]	1000	LOOSE PIECE	51864-8		
M7928/1-42	CLASS 1 & 2	BLUE	16*	16	10	5.00±0.08	[.197±.003]	1000	LOOSE PIECE	51864-7		
M7928/1-40	CLASS 1 & 2	BLUE	16*	16	6	3.68±0.08	[.145±.003]	1000	LOOSE PIECE	51864-6		
MILITARY P/N AND CLASS	STRIP COLOR	WIRE SIZE	"B"		DIM "A"	QUANTITY	PACKAGE TYPE	PART NO				

AMP INCORPORATED CUSTOMER SERVICE SYSTEMS		MAX RECOMMENDED OPERATING TEMPERATURE: 105° C MAX		THIS DRAWING IS A CONTROLLED DOCUMENT.				DWN JR RUTH 26OCT99		26OCT99		STE TE Connectivity	
FOR ADDITIONAL PRODUCT INFORMATION OR COPIES OF DRAWINGS AND TECHNICAL DOCUMENTS		PRODUCT INFORMATION CENTER 1-800-522-6752		VOLTAGE RATING: 300 V MAX		DIMENSIONS: mm[INCHES]		TOLERANCES UNLESS OTHERWISE SPECIFIED:		CHK RE HERSEY 26OCT99		NAME	
FOR APPLICATION		TOOLING ASSISTANCE CENTER 1-800-722-1111		WIRE RANGE: 16 CIRC MIL AREA: 1.42mm ² [2800] 14 2.15mm ² [4234]		0 PLC ±- 1 PLC ±- 2 PLC ± 0.20[.008] 3 PLC ±- 4 PLC ±- ANGLES ±-		APVD C PRESNELL 26OCT99		PRODUCT SPEC		TERMINAL, RING TONGUE, I.R., PIDG™, WIRE SIZE, 16-14AWG	
FOR ORDER ENTRY		1-800-526-5142		STRANDED		MATERIAL COPPER PER ASTM B-152 SLEEVE, BLUE NYLON		FINISH TIN PLATE PER ASTM B545		APPLICATION SPEC NOT AVAILABLE		RESTRICTED TO	
				THIS DRAWING IS A CONTROLLED DOCUMENT FOR AMP INCORPORATED. IT IS SUBJECT TO CHANGE AND THE CONTROLLING ENGINEERING ORGANIZATION SHOULD BE CONTACTED FOR THE LATEST REVISION.				WEIGHT		SIZE A3		CAGE CODE 00779	
								DRAWING NO C=51864		SCALE NTS		SHEET 2 of 2	
								CUSTOMER DRAWING		REV AB1			