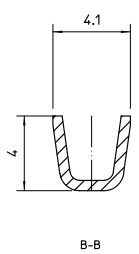
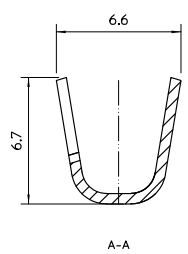
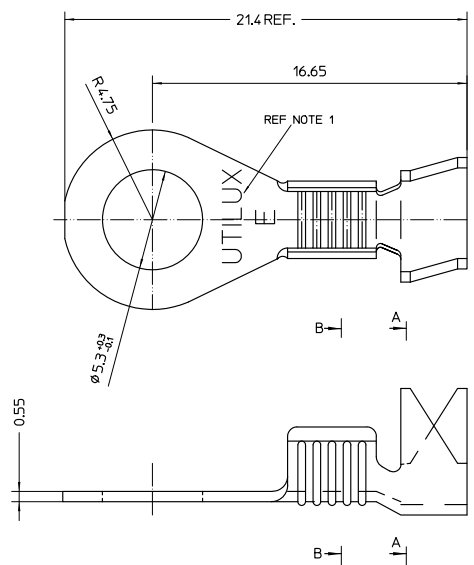
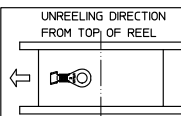


THIS DRAWING IS UNPUBLISHED. RELEASED FOR PUBLICATION
 © COPYRIGHT BY TYCO ELECTRONICS CORPORATION. ALL RIGHTS RESERVED.

LOC		DIST		REVISIONS			
P	LTR	DESCRIPTION		DATE	DWN	APVD	
-	-			-	-	-	



- NOTES:**
- 'UTILUX' OR 'AMP' LOGO STAMPED.
 - THIS PRODUCT IS UL APPROVED.
 - WIRE SIZE RANGE:
 CONDUCTOR: 0.5mm² - 1.5mm²
 INSULATION: Ø2.3mm - Ø3.2mm



BRASS C26000 PRE-TIN	PRE-TIN	TERMINAL H430ET	1-1627187-3
NICKEL SILVER C75700	NATURAL	TERMINAL H430B	1-1627187-2
BRASS C26000	NATURAL	TERMINAL H430	1-1627187-0
MATERIAL DESC.	FINISH	DESCRIPTION	PART No.
THIS DRAWING IS A CONTROLLED DOCUMENT.		DWN: W. Riede 09.08.04	Tyco Electronics Corporation AUSTRALIA
ALL DIMENSIONS IN mm		CHK: H.Thai 09.08.04	
TOLERANCES UNLESS OTHERWISE SPECIFIED: DIMENSION (mm) TOLERANCE(+/-mm) LESS THAN 10 0.4 OVER 10 TO 30 0.5 OVER 30 TO 80 0.7 OVER 80 TO 250 1.0 ANGLES 42°		APVD: WR 09AUG04	
MATERIAL	FINISH	PRODUCT SPEC:	NAME: TERMINAL, RING/EYE
REF. BLOCK	REF. BLOCK	APPLICATION SPEC:	SIZE: A3
		WEIGHT: -	CAGE CODE: -
		DRAWING NO: 1627187	
		RESTRICTED TO: -	
		CUSTOMER DRAWING	
		SCALE: 1:1	SHEET 1 OF 1 REV 0

THE INFORMATION IS CONFIDENTIAL AND PROPRIETARY TO TYCO ELECTRONICS CORPORATION AND IS NOT TO BE RELEASED TO ANYONE OTHER THAN TYCO ELECTRONICS CORPORATION, HANNOVER, PENNSYLVANIA, USA.