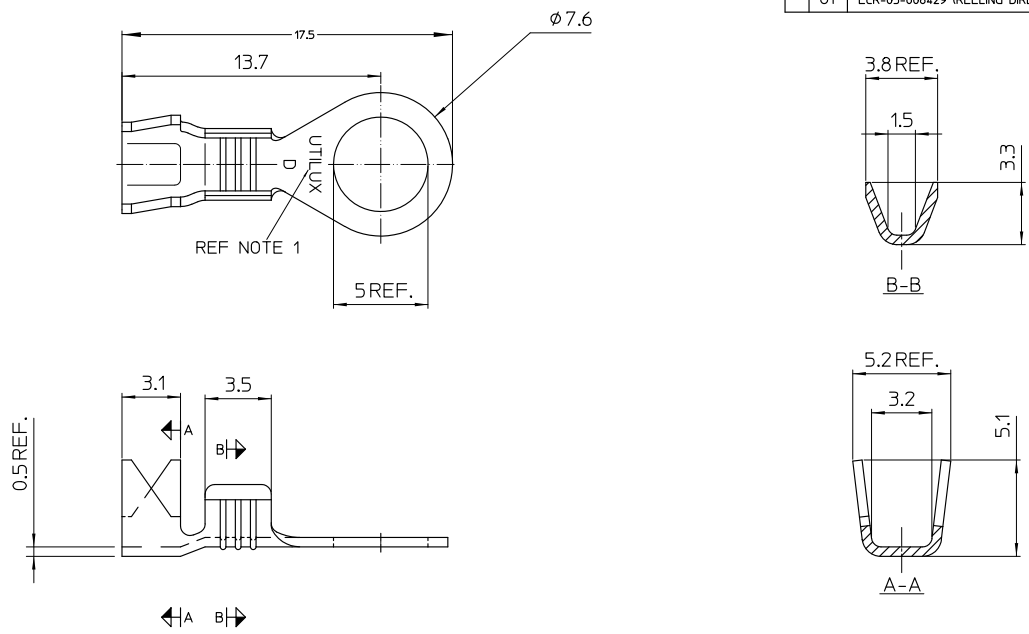
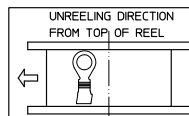


THIS DRAWING IS UNPUBLISHED. RELEASED FOR PUBLICATION
 © COPYRIGHT BY TYCO ELECTRONICS CORPORATION. ALL RIGHTS RESERVED.

LOC		DIST		REVISIONS			
P	LTR	DESCRIPTION		DATE	DWN	APVD	
01		ECR-05-008429 (REELING DIRECTION CORRECTED)		12/8/05	HT	WR	



- NOTES:
- 'UTILUX' OR 'AMP' LOGO STAMPED AS REQUIRED.
 - WIRE SIZE RANGE
 CONDUCTOR (mm²): 0.4 - 1.5
 INSULATION DIA (mm): 3.0 MAX



THIS DRAWING IS A CONTROLLED DOCUMENT.	
ALL DIMENSIONS IN mm	TOLERANCES UNLESS OTHERWISE SPECIFIED:
	DIMENSION (mm) TOLERANCE (±mm)
	LESS THAN 10 0.4
	OVER 10 TO 30 0.5
	OVER 30 TO 80 0.7
	OVER 80 TO 250 1.0
	ANGLES 12°
MATERIAL	FINISH
-	-

BRASS PRE-TIN	TERMINAL H3932ET	1-1627171-2
BRASS	TERMINAL H3932	1-1627171-1
MATERIAL DESC.	DESCRIPTION	PART No.
WR 06MAY05	Tyco Electronics Tyco Electronics Corporation AUSTRALIA	
HT 06MAY05	NAME: TERMINAL, RING/EYE	
WR 06MAY05	SIZE: A3	CAGE CODE: 1627171
PRODUCT SPEC:	WEIGHT:	RESTRICTED TO
APPLICATION SPEC:		
CUSTOMER DRAWING		
SCALE: 5:1	SHEET 1 OF 1	REV 01

THE INFORMATION IS CONFIDENTIAL AND PROPRIETARY TO TYCO ELECTRONICS CORPORATION AND IS NOT TO BE DISCLOSED TO ANYONE OTHER THAN TYCO ELECTRONICS CORPORATION, HANNOVER, PENNSYLVANIA, USA.