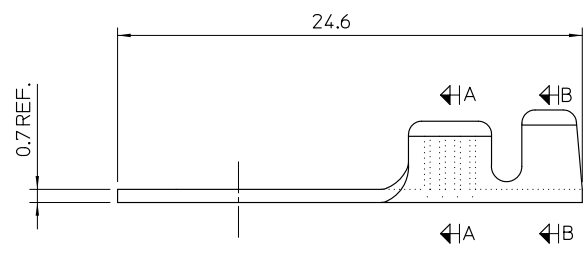
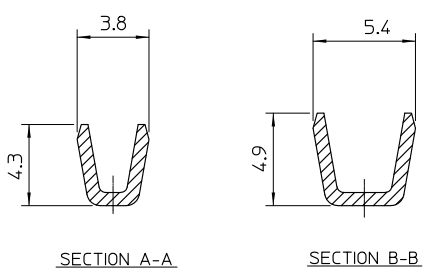
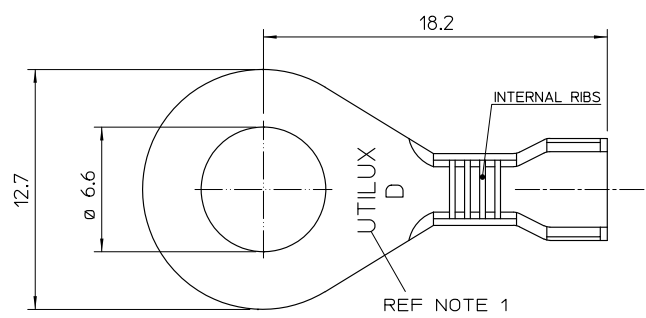


THIS DRAWING IS UNPUBLISHED. RELEASED FOR PUBLICATION
 © COPYRIGHT BY TYCO ELECTRONICS CORPORATION. ALL RIGHTS RESERVED.

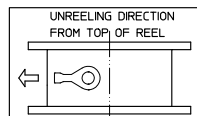
LOC		DIST		REVISIONS			
P	LTR	DESCRIPTION		DATE	DWN	APVD	
-	-			-	-	-	



- NOTES:
- 'UTILUX' OR 'AMP' LOGO STAMPED AS REQUIRED.
 - PRODUCT IS UL LISTED.
 - WIRE SIZE RANGE:
 CONDUCTOR: 0.5mm² - 1.5mm²
 INSULATION: ϕ 2.3mm - ϕ 3.2mm

BRASS 70/30	NATURAL	TERMINAL H1863	1-1627040-1
MATERIAL	FINISH	DESCRIPTION	PART No.

THIS DRAWING IS A CONTROLLED DOCUMENT.		DWN: W Riede 17.9.04	Tyco Electronics Corporation AUSTRALIA	
ALL DIMENSIONS IN mm		CHK: H Thai 17.9.04		
TOLERANCES UNLESS OTHERWISE SPECIFIED:		APVD: W Riede 17.9.04	NAME: TERMINAL, RING TONGUE	
DIMENSION (mm) TOLERANCE (mm) LESS THAN 10 0.4 OVER 10 TO 30 0.5 OVER 30 TO 80 0.7 OVER 80 TO 250 1.0 ANGLES 12°		PRODUCT SPEC: -		
MATERIAL: REF. BLOCK	FINISH: REF. BLOCK	APPLICATION SPEC: -	SIZE: A3	DRAWING NO: 1-1627040-1
CUSTOMER DRAWING			SCALE: 5:1	SHEET 1 OF 1
			REV: 0	RESTRICTED TO: -



THIS INFORMATION IS CONFIDENTIAL AND PROPRIETARY TO TYCO ELECTRONICS CORPORATION AND IS NOT TO BE RELEASED TO ANY OTHER PARTY WITHOUT THE WRITTEN PERMISSION OF TYCO ELECTRONICS CORPORATION, HARRISBURG, PENNSYLVANIA, USA.