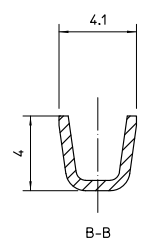
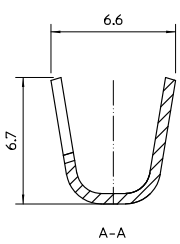
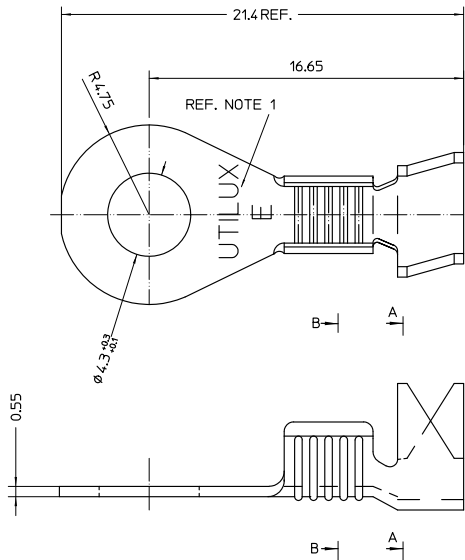


THIS DRAWING IS UNPUBLISHED. RELEASED FOR PUBLICATION
 COPYRIGHT BY TYCO ELECTRONICS CORPORATION. ALL RIGHTS RESERVED.

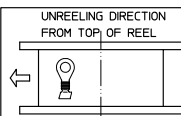
LOC		DIST		REVISIONS			
P	LTR	DESCRIPTION		DATE	DWN	APVD	
-	-			-	-	-	



- NOTES:**
- 'UTILUX' OR 'AMP' LOGO STAMPED AS REQUIRED.
 - THIS PRODUCT IS UL APPROVED
 - WIRE SIZE RANGE:
 CONDUCTOR: 0.5mm² - 1.5mm²
 INSULATION: ϕ 2.3mm - ϕ 3.2mm

BRASS C26000 PRE-TIN	PRE-TIN	TERMINAL H1287ET	1-1627030-4
BRASS C26000	NATURAL	TERMINAL H1287	1-1627030-2
MATERIAL	FINISH	DESCRIPTION	PART No.

THIS DRAWING IS A CONTROLLED DOCUMENT.		DWN: WR 07JUL05	Tyco Electronics Corporation AUSTRALIA	
ALL DIMENSIONS IN mm		CHK: HT 07JUL05		
TOLERANCES UNLESS OTHERWISE SPECIFIED:		APVD: WR 07JUL05	NAME: TERMINAL, RING/EYE	
DIMENSION (mm) TOLERANCE(+/-mm) LESS THAN 10 0.4 OVER 10 TO 30 0.5 OVER 30 TO 80 0.7 OVER 80 TO 250 1.0 ANGLES \pm 2°		PRODUCT SPEC: -	SIZE: A3	CAGE CODE: -
MATERIAL: REF. BLOCK	FINISH: REF. BLOCK	APPLICATION SPEC: -	DRAWING NO: 1627030	RESTRICTED TO: -
WEIGHT: -			SCALE: 5:1	SHEET 1 OF 1
CUSTOMER DRAWING			REV: 0	



THIS INFORMATION IS CONFIDENTIAL AND PROPRIETARY TO TYCO ELECTRONICS CORPORATION. IT IS NOT TO BE RELEASED OR DISCLOSED TO ANY OTHER PARTY WITHOUT THE WRITTEN PERMISSION OF TYCO ELECTRONICS CORPORATION, HARRISBURG, PENNSYLVANIA, USA.