

4

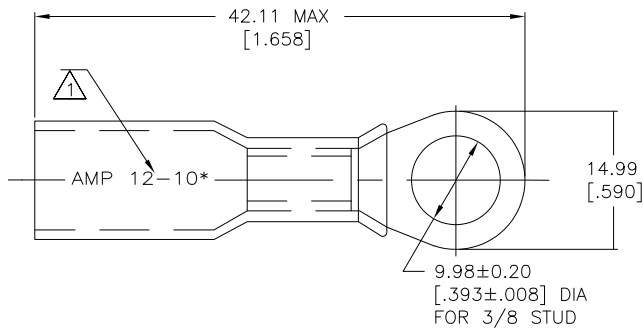
3

2

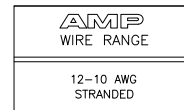
1

THIS DRAWING IS UNPUBLISHED. RELEASED FOR PUBLICATION
 © COPYRIGHT - BY TYCO ELECTRONICS CORPORATION. ALL INTERNATIONAL RIGHTS RESERVED.

| LOC | DIST | REVISIONS | | | | |
|-----|------|-------------|---------------------------|---------|------|----|
| P | LTR | DESCRIPTION | DATE | DWN | APVD | |
| G | 14 | D | REVISED PER ECR-09-027352 | 18FEB10 | JR | TM |



- 1 STAMP AMP 12-10* APPROX AS SHOWN
- 2 WIRE INSULATION DIA 6.10 [.240] MAX
- 3 TONGUE MATERIAL THK 1.02±0.05 [.040±.002]
- 4 SUPERSEDED BY 8-55860-3



AMP INCORPORATED
CUSTOMER SERVICE SYSTEMS

| | |
|--|--|
| FOR ADDITIONAL PRODUCT INFORMATION OR COPIES OF DRAWINGS AND TECHNICAL DOCUMENTS | PRODUCT INFORMATION CENTER 1-800-522-6752 |
| FOR APPLICATION TOOLING INFORMATION | TOOLING ASSISTANCE CENTER 1-800-722-1111 |
| FOR ORDER ENTRY | 1-800-526-5142 |

| |
|---|
| MAX RECOMMENDED OPERATING TEMPERATURE: 125° C MAX |
| VOLTAGE RATING: 600V MAX (BUILDING WIRING) 1000V MAX (FIXTURES & SIGNS) |
| CIRCULAR MIL AREA: 2.62-6.64 ² [5180-13100] STRANDED |

| | |
|---|--|
| THIS DRAWING IS A CONTROLLED DOCUMENT. | |
| DIMENSIONS: mm [INCHES] | TOLERANCES UNLESS OTHERWISE SPECIFIED: |
| | 0 PLC ± - |
| | 1 PLC ± - |
| | 2 PLC ± 0.20[.008] |
| | 3 PLC ± - |
| | 4 PLC ± - |
| | ANGLES ± - |
| MATERIAL BODY: ETP COPPER INSULATION: POLYOLEFIN COLOR: YELLOW | FINISH EDP TIN PLATED |

| | | |
|------------------|-------------|------|
| DWN | S S GOULDEN | 6/93 |
| CHK | R HERSEY | 6/93 |
| APVD | B BARE | 6/93 |
| PRODUCT SPEC | | |
| APPLICATION SPEC | 408-4022 | |
| WEIGHT | - | |
| CUSTOMER DRAWING | | |

| | | |
|--|--------------|--------------|
| 25 | LOOSE PIECE | 8-55860-3 |
| 500 | LOOSE PIECE | 4 55860-1 |
| QTY | PACKAGE TYPE | PART NO |
| Tyco Electronics Corporation Harrisburg, PA 17105-3608 | | |
| NAME TERMINAL, RING TONGUE, SEALABLE HEAT SHRINKABLE | | |
| SIZE | CAGE CODE | DRAWING NO |
| A3 | 00779 | C-55860 |
| RESTRICTED TO | | |
| SCALE | NTS | SHEET 1 OF 1 |
| REV | D | |