

4

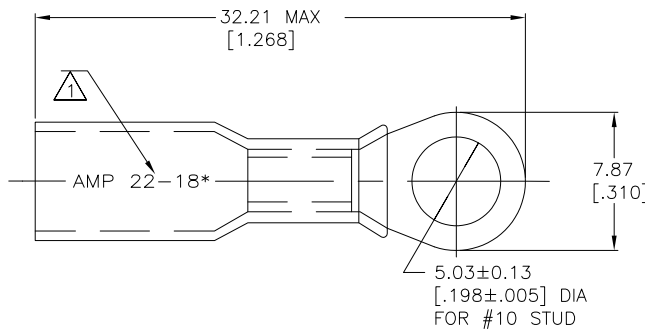
3

2

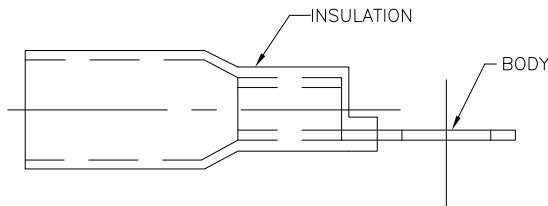
1

THIS DRAWING IS UNPUBLISHED. RELEASED FOR PUBLICATION  
 © COPYRIGHT - BY TYCO ELECTRONICS CORPORATION. ALL INTERNATIONAL RIGHTS RESERVED.

| LOC | DIST | REVISIONS |     |                           |         |     |      |
|-----|------|-----------|-----|---------------------------|---------|-----|------|
|     |      | P         | LTR | DESCRIPTION               | DATE    | DWN | APVD |
| G   | 14   | F         |     | REVISED PER ECR-09-027352 | 17FEB10 | JR  | TM   |



- 1 STAMP AMP 22-18\* APPROX AS SHOWN
- 2 WIRE INSULATION DIA 4.32 [.170] MAX.
- 3 TONGUE MATERIAL THK 0.76±0.50 [.030±.002]
- 4 PRELIMINARY - NOT FOR PRODUCTION



|                          |
|--------------------------|
| <b>AMP</b><br>WIRE RANGE |
| 22-18 AWG<br>STRANDED    |

|      |               |             |
|------|---------------|-------------|
| 3000 | ON TAPE, REEL | 4 2-55848-1 |
| 50   | LOOSE PIECE   | 8-55848-2   |
| 1000 | LOOSE PIECE   | 55848-1     |
| QTY  | PACKAGE TYPE  | PART NO     |

|  |  |   |  |  |                      |   |              |  |               |     |   |
|--|--|---|--|--|----------------------|---|--------------|--|---------------|-----|---|
| <b>AMP INCORPORATED</b><br><b>CUSTOMER SERVICE SYSTEMS</b>                       |  | MAX RECOMMENDED OPERATING TEMPERATURE:<br>125° C MAX  | THIS DRAWING IS A CONTROLLED DOCUMENT.                   |  | DWN S S GOULDEN 6/93 | Tyco Electronics Corporation<br>Harrisburg, PA 17105-3608 |              |  |               |     |   |
|  |  |   | DIMENSIONS:<br>mm [INCHES]                               | TOLERANCES UNLESS OTHERWISE SPECIFIED:   | CHK R HERSEY 6/93    |   |              |  |               |     |   |
| FOR ADDITIONAL PRODUCT INFORMATION OR COPIES OF DRAWINGS AND TECHNICAL DOCUMENTS | PRODUCT INFORMATION CENTER<br>1-800-522-6752 | VOLTAGE RATING:<br>600V MAX (BUILDING WIRING)<br>1000V MAX (FIXTURES & SIGNS)   |  | 0 PLC ± -<br>1 PLC ± -<br>2 PLC ± 0.20[.008]<br>3 PLC ± -<br>4 PLC ± -<br>ANGLES ± - | APVD B BARE 6/93     | NAME  |              |  |               |     |   |
| FOR APPLICATION TOOLING INFORMATION  | TOOLING ASSISTANCE CENTER<br>1-800-722-1111  | CIRCULAR MIL AREA:<br>0.26-0.96 <sup>2</sup> [509-1900] STRANDED  |  |  | MATERIAL             | FINISH  | PRODUCT SPEC | TERMINAL, RING TONGUE, SEALABLE<br>HEAT SHRINKABLE |               |     |   |
| FOR ORDER ENTRY  | 1-800-526-5142                               | THIS DRAWING IS A CONTROLLED DOCUMENT FOR AMP INCORPORATED. IT IS SUBJECT TO CHANGE AND THE CONTROLLING ENGINEERING ORGANIZATION SHOULD BE CONTACTED FOR THE LATEST REVISION. | BODY: ETP COPPER<br>INSULATION: POLYOLEFIN<br>COLOR: RED | EDP TIN PLATED   | APPLICATION SPEC     | SIZE  | CAGE CODE    | DRAWING NO   | RESTRICTED TO |     |   |
|  |  |   |  |  |                      | 408-4022  | A3           | 00779  | C-55848       |     |   |
|  |  |   |  |  | CUSTOMER DRAWING     | SCALE   | NTS          | SHEET  | 1 OF 1        | REV | F |

1470-19 (1/08)