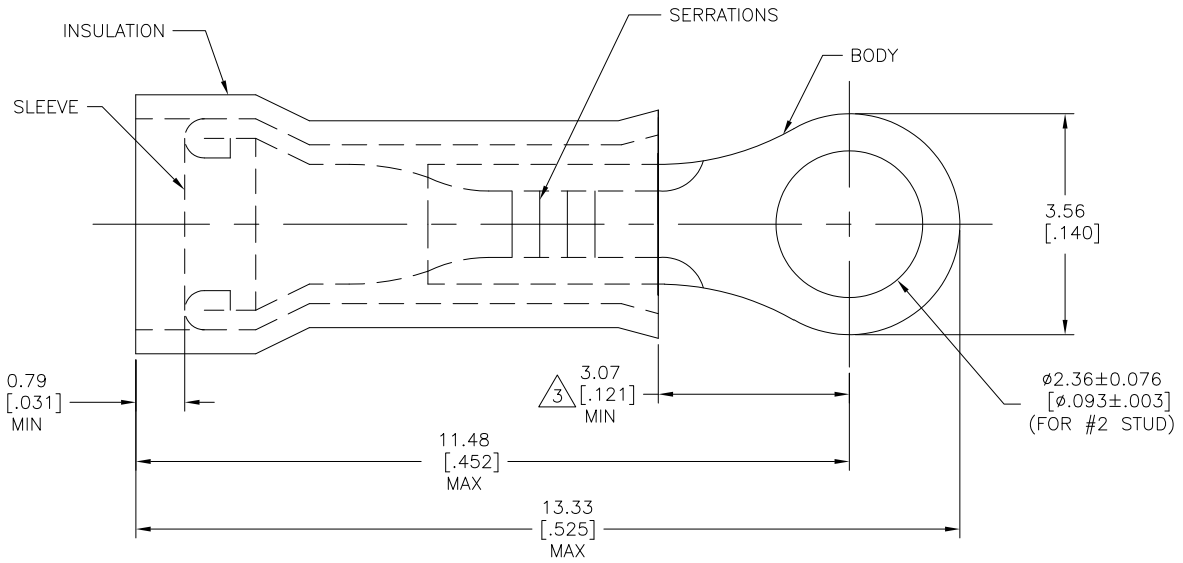


4 3 2 1

THIS DRAWING IS UNPUBLISHED. RELEASED FOR PUBLICATION  
 © COPYRIGHT - By - ALL RIGHTS RESERVED.

LOC	DIST	REVISIONS					
G	14	P	LTR	DESCRIPTION	DATE	DWN	APVD
		H2		REVISED PER ECO-11-004820	11MAR11	RK	HMR



1 FOR 1.27[.050] TO 2.08[.082] WIRE INSULATION DIA

2 TONGUE MATERIAL THK 0.46±0.05[.018±.002]

3 APPLIES FROM EDGE OF METAL BARREL TO CENTERLINE OF STUD HOLE.

100	LOOSE PIECE, BOX	BODY & SLEEVE: COPPER ASTM-B152 TIN PL ASTM-B545	8-323912-1
4000	ON TAPE		2-323912-1
1	WIRE TERMINAL	INSULATION: NYLON ASTM-D4066 COLOR: YELLOW	323912
QTY	DESCRIPTION	MATERIAL & FINISH	PART NO

THIS DRAWING IS A CONTROLLED DOCUMENT.		DWN	18MAR10	<b>STE</b> TE Connectivity	
DIMENSIONS: mm [INCHES]		CHK	18MAR10		
TOLERANCES UNLESS OTHERWISE SPECIFIED:		JEFF RUTH		NAME	
0 PLC ± -		APVD		WIRE TERMINAL	
1 PLC ± -		TOM MICHIELUTTI		PIDG - RING TONGUE	
2 PLC ± -		PRODUCT SPEC		WIRE SIZE: 26-22	
3 PLC ± 0.20[.008]		APPLICATION SPEC		SIZE	CAGE CODE
4 PLC ± -		WEIGHT		A3	00779
ANGLES ± 0° 30'		FINISH		DRAWING NO	RESTRICTED TO
MATERIAL SEE TABLE		CUSTOMER DRAWING		©-323912	-
SCALE 16:1		SHEET 1 OF 1		REV H2	