

4

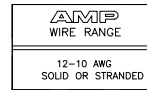
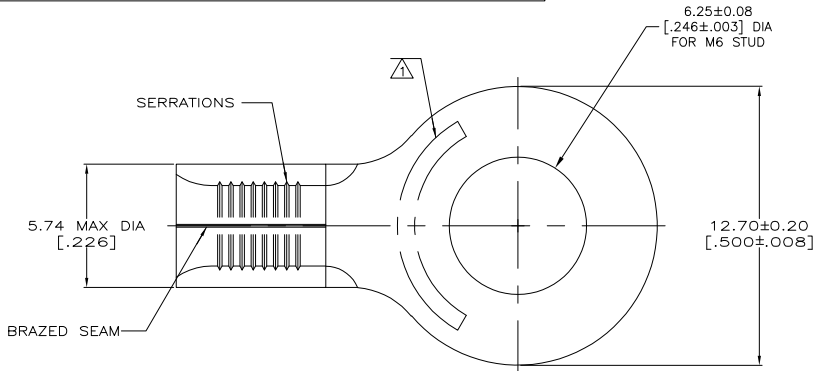
3

2

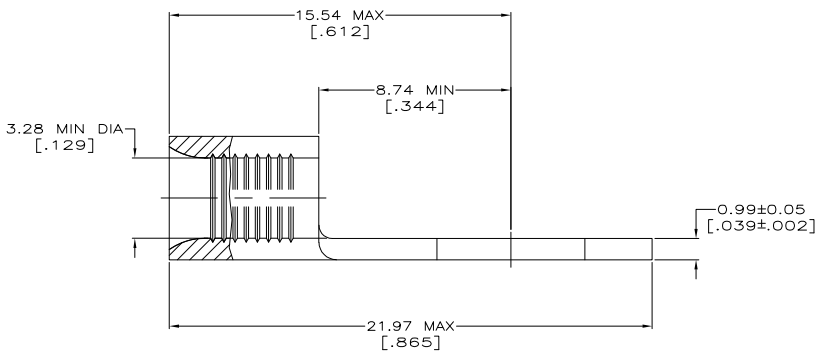
1

THIS DRAWING IS UNPUBLISHED. RELEASED FOR PUBLICATION
 © COPYRIGHT BY TYCO ELECTRONICS CORPORATION. ALL RIGHTS RESERVED.

LOC	DIST	REVISIONS				
G	14	P	LR	DATE	MIN	APD
		A	DRAWN	13MAR06	JR	TM



- 1 STAMP AMP 12-10* APPROX AS SHOWN
- 2 MATERIAL: COPPER PER ASTM B-152, ANNEALED
- 3 TIN PLATE 0.00254 [.000100] MIN THK PER ASTM B-545.



AMP INCORPORATED CUSTOMER SERVICE SYSTEMS		MAX RECOMMENDED OPERATING TEMPERATURE: 170°C
FOR ADDITIONAL PRODUCT INFORMATION OR COPIES OF DRAWINGS AND TECHNICAL DOCUMENTS	PRODUCT INFORMATION CENTER 1-800-522-6752	VOLTAGE RATING: N/A
FOR APPLICATION	TOOLING ASSISTANCE CENTER 1-800-722-1111	CIRCULAR MIL AREA: 242-6.64mm ² [5.180-13.100] SOLID OR STRANDED
FOR ORDER ENTRY	1-800-526-5142	THIS DRAWING IS A CONTROLLED DOCUMENT FOR AMP INCORPORATED. IF SUBSTITUTION OR MODIFICATION SHOULD BE CONTACTED FOR THE LATEST REVISION.

FINISH	500	LOOSE PIECE	165026
QTY	PACKAGE TYPE	PART NO.	
THIS DRAWING IS A CONTROLLED DOCUMENT.		Tyco Electronics Corporation Harrisburg, Pa 17105-3608	
DIMENSIONS: INCHES	OTHER DIMENSIONS: OTHER UNITS	TERMINAL RING TONGUE, SOLISTRAND	
0 PLC	0	SIZE	00779
1 PLC	1	QTY	165026
2 PLC	2	DRAWING NO	
3 PLC	3	RESTRICTED TO	
4 PLC	4		
ANGLES			
MATERIAL	SEE TABLE	CUSTOMER DRAWING	SCALE: 8:1 SHEET 1 OF 1 REV A

AMP 1471-9 REV 31MM2000

165026

A