

4

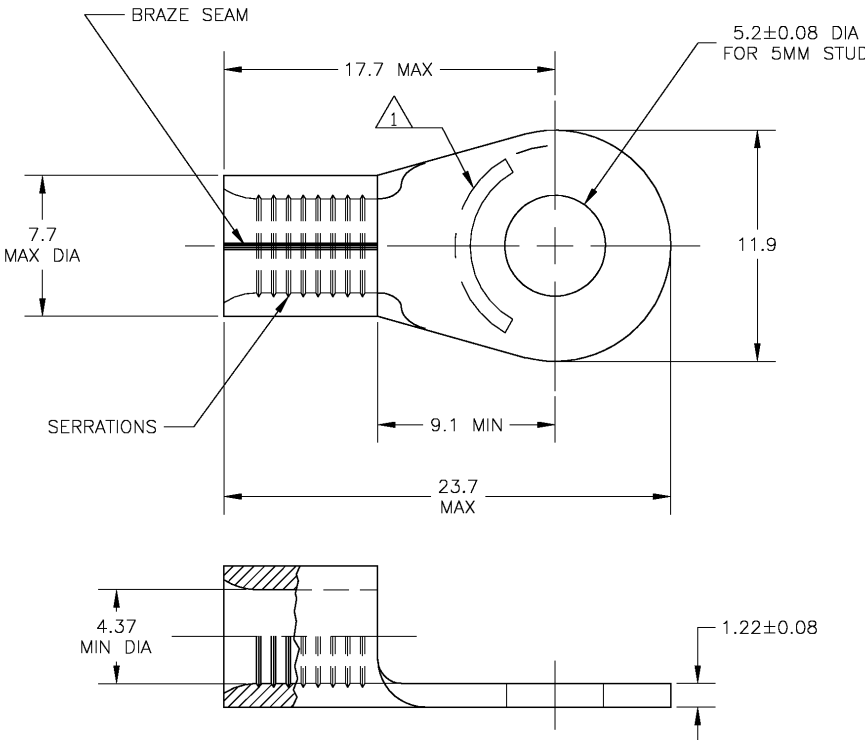
3

2

1

THIS DRAWING IS UNPUBLISHED. RELEASED FOR PUBLICATION  
 © COPYRIGHT BY TYCO ELECTRONICS CORPORATION. ALL RIGHTS RESERVED.

LOC	DIST	REVISIONS					
G	05	P	LTR	DESCRIPTION	DATE	DWN	APVD
		B1		REV PER ECR 05-004247	08JUN05	JR	TM



- 1 STAMP "AMP 8\*", APPROX AS SHOWN
- 2 COPPER PER ASTM B-152, ANNEALED
- 3 0.00254 MIN THK TIN PER ASTM B-545
- 4 170°C MAX RECOMMENDED OPERATING TEMPERATURE.
- 5 WIRE CROSS SECTIONAL AREA RANGE: 6.64-10.5mm<sup>2</sup> ( 13-100-20,800 ) CMA SOLID OR STRANDED

<b>AMP</b> WIRE RANGE
8 AWG SOLID OR STRANDED

500	LOOSE PIECE	160013
QTY	PACKAGE TYPE	PART NO.

THIS DRAWING IS A CONTROLLED DOCUMENT.		DWN jr ruth	08JUN05	<b>tyco</b> Electronics	Tyco Electronics Corporation Harrisburg, Pa 17105-3608	
DIMENSIONS: MM INCHES		CHK T MICHELUTTI	08JUN05		NAME TERMINAL, RING TONGUE, SOLISTRAND	
TOLERANCES UNLESS OTHERWISE SPECIFIED:		APVD T MICHELUTTI	08JUN05	SIZE A3		CAGE CODE 00779
0 PLC ± -		PRODUCT SPEC		DRAWING NO C=160013		RESTRICTED TO
1 PLC ± -		APPLICATION SPEC		WEIGHT		
2 PLC ± -		MATERIAL		CUSTOMER DRAWING		
3 PLC ± -		FINISH		SCALE 1:1		SHEET 1 OF 1
4 PLC ± -		MATERIAL		SCALE 1:1		REV B1
ANGLES ± 5'		FINISH		SCALE 1:1		REV B1

AMP 1470-19 REV 31MAR2000