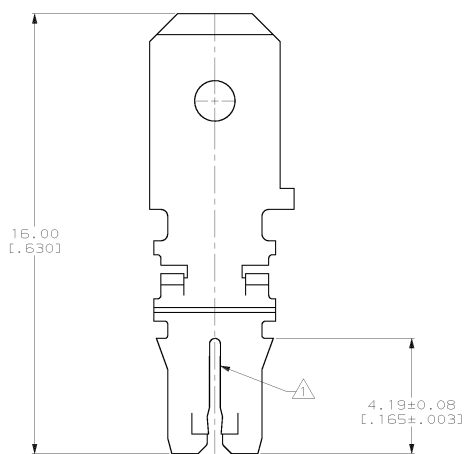
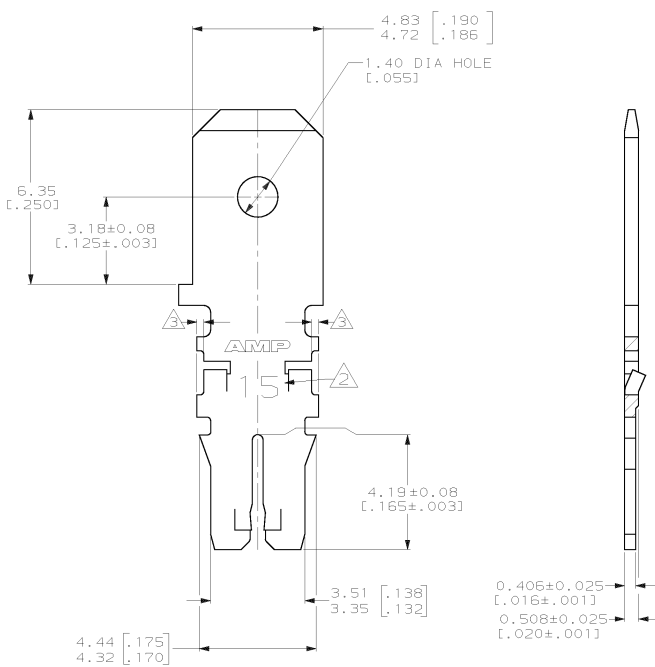


4 3 2 1

THIS DRAWING IS UNPUBLISHED. RELEASED FOR IDENTIFICATION. (C) COPYRIGHT 19 BY AMP INCORPORATED. ALL RIGHTS RESERVED.

REV	DATE	DESCRIPTION	DATE	BY	APP'D
0		PROPOSED	03OCT01	MF	KR

- ① SLOT ACCEPTS 0.57-0.81mm [#23-#20] AWG COPPER MAGNET WIRE. TWO WIRES OF THE SAME SIZE MAX PER SLOT FOR #23 GAGE. ONE WIRE MAX PER SLOT FOR #22-#20 AWG
- ② IDENTIFICATION NUMBER 15 FOR THE MAGNET WIRE SLOT SIZE
- ③ 0.25(.010) MAX CARRIER CUT-OFF TABS
- ④ PRELIMINARY - NOT FOR PRODUCTION.



1217714-1  
PART NUMBER

THIS DRAWING IS A CONTROLLED DOCUMENT.		DATE: 03/07/2001	BY: MICHAEL G. FEIGER	AMP Incorporated	11/17/05
DRAWN BY: MICHAEL G. FEIGER		DATE: 03/07/2001	BY: MICHAEL G. FEIGER	AMP Incorporated	11/17/05
CHECKED BY: RALPH J. SHAW		DATE: 04/20/2001	BY: RALPH J. SHAW	AMP Incorporated	11/17/05
PRODUCT SPEC: 108-14B4		APPLICATION SPEC: 114-2140	DATE: 03/07/2001	BY: MICHAEL G. FEIGER	AMP Incorporated
MATERIAL: 082 PRE-MILLED BRASS		FINISH: 0.002032 [.000080] MIN TIN PLATE	REWORK: -	SCALE: 10:1	SHEET 1 OF 1
CUSTOMER DRAWINGS		RESTRICTED TO: -	DATE: 03/07/2001	BY: MICHAEL G. FEIGER	AMP Incorporated

**PRELIMINARY**  
AMP Incorporated  
MAG-MATE™ Slim Line,  
LOOSE PIECE