

4

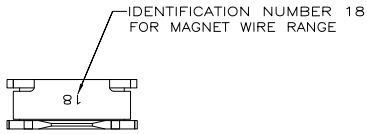
3

2

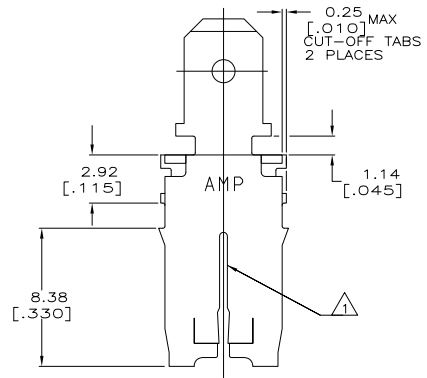
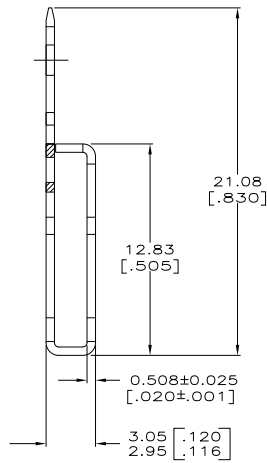
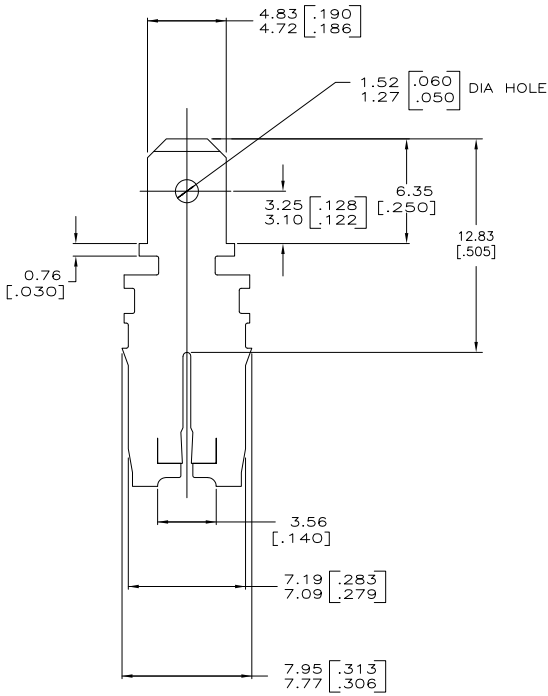
1

THIS DRAWING IS UNPUBLISHED. RELEASED FOR PUBLICATION BY TYCO ELECTRONICS CORPORATION. ALL INTERNATIONAL RIGHTS RESERVED. COPYRIGHT © BY TYCO ELECTRONICS CORPORATION.

LOC	DIST	REVISIONS		
F	LNK	DESCRIPTION	DATE	BY
AF	50			
	A2	REVISED PER ECR-09-027452	21DEC09	HMR KR



- 1 SLOT ACCEPTS 0.64-0.81mm [#22-#20] AWG COPPER MAGNET WIRE. 2 WIRES OF THE SAME SIZE MAX PER SLOT.
- 2 AFTER INSERTION INTO PLASTIC HOLDER TAB PORTION MUST BE BENT OVER 45° TO 90° OR POTTED-IN TO PREVENT PULL-OUT WHEN MATING RECEPTACLE IS DISCONNECTED.
- 3 VARNISH RESIST OVER 0.002032 [.000080] MIN TIN



63708-1  
PART NO.

THIS DRAWING IS A CONTROLLED DOCUMENT.		DW MICHAEL S. FEHR 5/24/93	Tyco Electronics Corporation Harrisburg, PA 17105-3608	
DIMENSIONS: mm [INCHES]		CHK JEFF R. RUTH 6/2/93	NAME	
TOLERANCES UNLESS OTHERWISE SPECIFIED:		APPC NELSON E. NEFF	TAB, LOOSE PIECE, 4.75 [.187] FASTON™, MAG-MATE™	
0 PLG ± -	1 PLG ± -	PRODUCT SPEC: 108-2053	SIZE: A2	RESTRICTED TO: -
2 PLG ± 0.25 (.010)	3 PLG ± -	APPLICATION SPEC: 114-2066	ONE CODE: C=63708	
4 PLG ± -	ANGLES ± -	FINISH	SCALE: 6:1	SHEET: 1 of 1
MATERIAL: 4M BRASS	FINISH: 3	CUSTOMER DRAWING	REV: A2	

1471-9 (1/08)

63708

A