

4

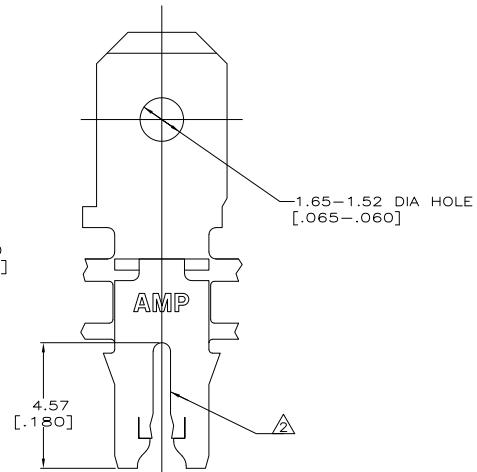
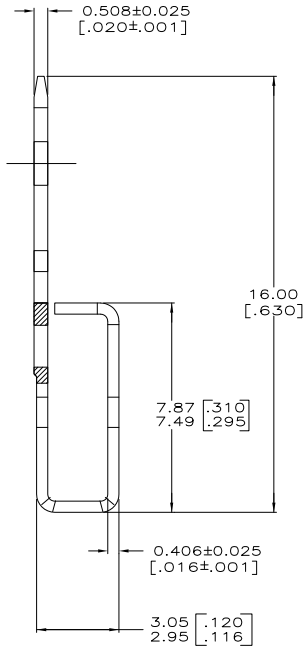
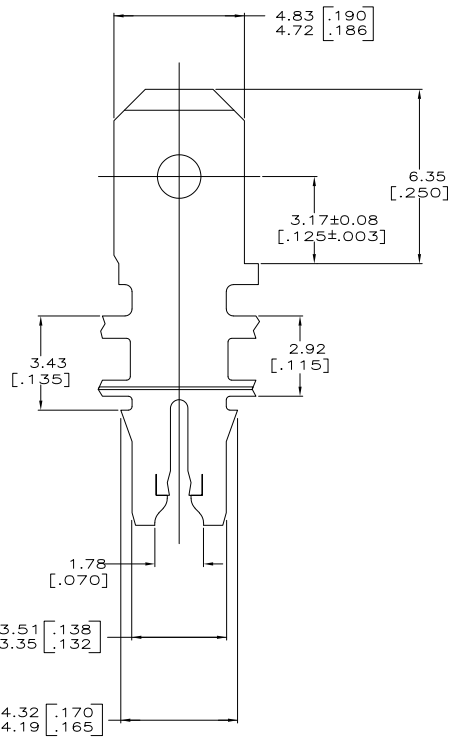
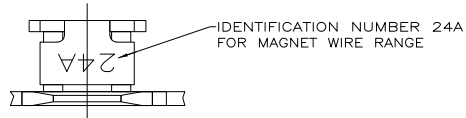
3

2

1

THIS DRAWING IS UNPUBLISHED. RELEASED FOR PUBLICATION. ALL RIGHTS RESERVED.

LOC		DIBT		REVISIONS			
P	LR	DESCRIPTION	DATE	BY	APPD		
	D2	REV PER ECD	12-002176	06FEB12	JR	KR	



- 1 CONTINUOUS STRIP ON REELS WITH TERMINALS LOCATED ON 5.59±0.08 [.220±.003] CENTERS
- 2 SLOT TERMINATES A SINGLE MAGNET WIRE ONLY. ALUMINUM RANGE: 0.97-1.22mm [#18.5-#16.5] AWG.
- 3 AFTER INSERTION INTO PLASTIC HOLDER TAB PORTION MUST BE BENT OVER 45° TO 90° OR POTTED-IN TO PREVENT PULL-OUT WHEN MATING RECEPTACLE IS DISCONNECTED.
- 4 ANVIL HEIGHT TO BE 2.29±0.13 [.090±.005]
- 5 VARNISH RESIST OVER TIN PLATE
- 6 PRELIMINARY - NOT FOR PRODUCTION
- 7 PREPRODUCTION - FASR REQUIRED

5	REVERSE	0.002032 [.000080] MIN TIN	63668-3
	STANDARD	0.002032 [.000080] MIN TIN	63668-2
5	STANDARD	0.002032 [.000080] MIN TIN	63668-1
	REELING	FINISH	PART NO

DIMENSIONS:		OTHER DIMENSIONS:		DRAWN:		DATE:		TE Connectivity	
MM	[INCHES]	PLC	±	NAME	DATE	NAME	DATE	SIZE	SCALE
		0	±	MICHAEL S. FEHR	9/3/92	JEFF R. RUTH	9/4/92	A2	10:1
		1	±	JEFF R. RUTH	9/4/92	TERRY SHUITER	9/4/92	C	1 of 1
		2	±						
		3	±						
		4	±						
		5	±						
		6	±						
		7	±						
		8	±						
		9	±						
		10	±						
		11	±						
		12	±						
		13	±						
		14	±						
		15	±						
		16	±						
		17	±						
		18	±						
		19	±						
		20	±						
		21	±						
		22	±						
		23	±						
		24	±						
		25	±						
		26	±						
		27	±						
		28	±						
		29	±						
		30	±						
		31	±						
		32	±						
		33	±						
		34	±						
		35	±						
		36	±						
		37	±						
		38	±						
		39	±						
		40	±						
		41	±						
		42	±						
		43	±						
		44	±						
		45	±						
		46	±						
		47	±						
		48	±						
		49	±						
		50	±						
		51	±						
		52	±						
		53	±						
		54	±						
		55	±						
		56	±						
		57	±						
		58	±						
		59	±						
		60	±						
		61	±						
		62	±						
		63	±						
		64	±						
		65	±						
		66	±						
		67	±						
		68	±						
		69	±						
		70	±						
		71	±						
		72	±						
		73	±						
		74	±						
		75	±						
		76	±						
		77	±						
		78	±						
		79	±						
		80	±						
		81	±						
		82	±						
		83	±						
		84	±						
		85	±						
		86	±						
		87	±						
		88	±						
		89	±						
		90	±						
		91	±						
		92	±						
		93	±						
		94	±						
		95	±						
		96	±						
		97	±						
		98	±						
		99	±						
		100	±						