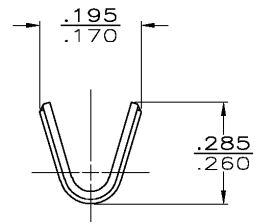
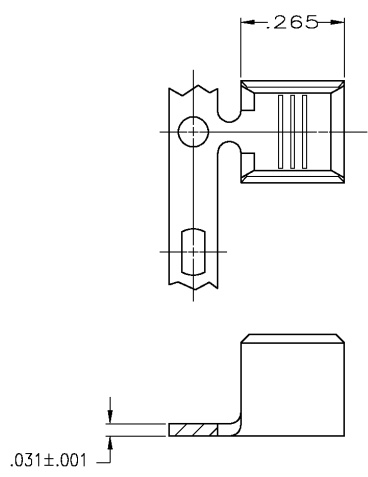


THIS DRAWING IS UNPUBLISHED. RELEASED FOR PUBLICATION
 © COPYRIGHT BY TYCO ELECTRONICS CORPORATION. ALL RIGHTS RESERVED.

| LOC | DIST | REVISIONS | | | | |
|-----|------|-------------|--------------------------|---------|------|----|
| P | LTR | DESCRIPTION | DATE | DWN | APVD | |
| AF | 50 | C | REVISED PER 0G3A-0016-03 | 14FEB03 | JR | GP |

- 1 CONTINUOUS STRIP ON REELS.
- 2 CRIMP WIDTH: .180 F TYPE
 CRIMP HEIGHT: (±.002) = (TOTAL CMA + 28,300) / 289,800
 FOR APPLICATOR INFORMATION CALL: 1-800-722-1111
 FOR PRODUCT INFORMATION CALL: 1-800-522-6752



| | |
|---------------|-------------|
| 9,000-16,000 | 63414-1 |
| CMA WIRE SIZE | PART NUMBER |

| | | | | | | | | | | | | | | | | |
|---|---------------------------|--------------------------------------|---|--------------------|-----|-------|-----|-------|--------|-------|-----|--------|-----|-------------------|---|--|
| THIS DRAWING IS A CONTROLLED DOCUMENT. | | DWN MICHAEL S. FEHER 19DEC2002 | Tyco Electronics Corporation Harrisburg, PA 17105-3608 | | | | | | | | | | | | | |
| DIMENSIONS: INCHES | | CHK GARY PORTA 19DEC2002 | Tyco Electronics Corporation | | | | | | | | | | | | | |
| TOLERANCES UNLESS OTHERWISE SPECIFIED: | | APVD GARY PORTA 19DEC2002 | NAME SPLICE | | | | | | | | | | | | | |
| <table border="1"> <tr><td>0 PLC</td><td>± -</td></tr> <tr><td>1 PLC</td><td>± -</td></tr> <tr><td>2 PLC</td><td>± -</td></tr> <tr><td>3 PLC</td><td>± .010</td></tr> <tr><td>4 PLC</td><td>± -</td></tr> <tr><td>ANGLES</td><td>± -</td></tr> </table> | | 0 PLC | ± - | 1 PLC | ± - | 2 PLC | ± - | 3 PLC | ± .010 | 4 PLC | ± - | ANGLES | ± - | PRODUCT SPEC - | - | |
| 0 PLC | ± - | | | | | | | | | | | | | | | |
| 1 PLC | ± - | | | | | | | | | | | | | | | |
| 2 PLC | ± - | | | | | | | | | | | | | | | |
| 3 PLC | ± .010 | | | | | | | | | | | | | | | |
| 4 PLC | ± - | | | | | | | | | | | | | | | |
| ANGLES | ± - | | | | | | | | | | | | | | | |
| MATERIAL #3 HARD STEEL | FINISH .000080 MIN TIN | APPLICATION SPEC - | SIZE A3 | CAGE CODE 00779 | | | | | | | | | | | | |
| CUSTOMER DRAWING | | DRAWING NO C=63414 | RESTRICTED TO - | SCALE 4:1 | | | | | | | | | | | | |
| | | | SHEET 1 OF 1 | REV C | | | | | | | | | | | | |