

4

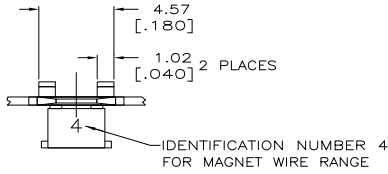
3

2

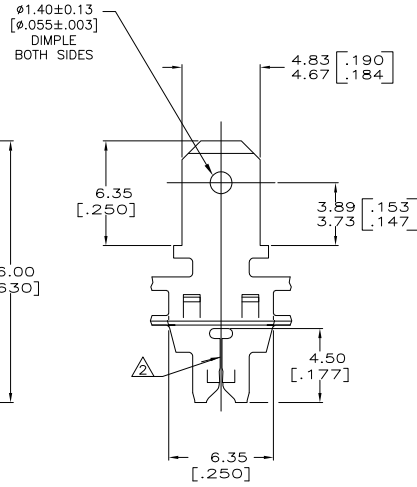
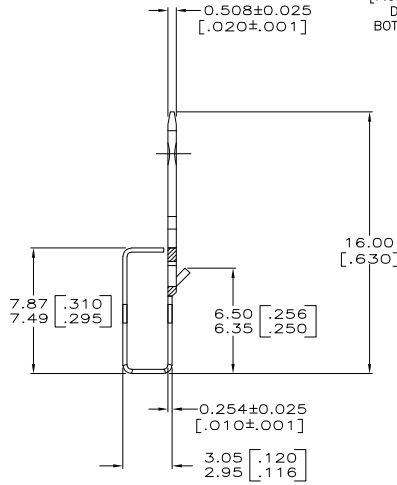
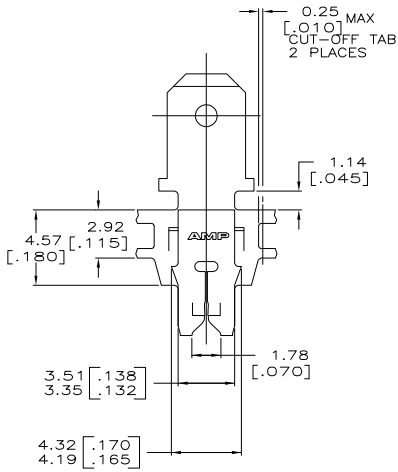
1

THIS DRAWING IS UNPUBLISHED. RELEASED FOR PUBLICATION
 © COPYRIGHT BY TYCO ELECTRONICS CORPORATION. ALL RIGHTS RESERVED.

LOC		DIST		REVISIONS			
P	LTR	DESCRIPTION	DATE	MIN	APD		
M		REV PER 063A-0747-04	08OCT2004	RF	KR		



1 CONTINUOUS STRIP ON REELS WITH TERMINALS
 LOCATED ON 8.38 [.330] CENTERS.
 SLOTTED ACCEPTS 0.18-0.23mm [#33-#31] AWG
 COPPER MAGNET WIRE.
 2 WIRES OF THE SAME SIZE MAX PER SLOT.



082 PRE-MILLED BRASS	63255-2
4M PRE-MILLED BRASS	63255-1
MATERIAL	PART NUMBER

THIS DRAWING IS A CONTROLLED DOCUMENT.		BY MICHAEL S. FEHNER 7/11/91	Tyco Electronics Corporation Harrisburg, PA 17105-3608
DRAWN BY JEFF R. RUTH 7/12/91		APPROVED BY [Signature]	
DIMENSIONS:	INCHES	PRODUCT SPEC	SIZE
Ø PLG	± .0005	108-2012	A2
PLG	± .001	APPLICATION SPEC	00779
Ø PLG	± 0.25 (A10)	114-2094	C-63255
PLG	± .001	RIGHT	
ANGLES	± .001		
FINISH			
MATERIAL	SEE TABLE	0.00127 [.000050] MIN TIN	RESTRICTED TO
		CUSTOMER DRAWING	SCALE 6:1 SHEET 1 OF 1 REV M

AMP 1471-9 REV 31MM2000

63255

A