

4

3

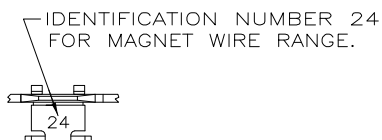
2

1

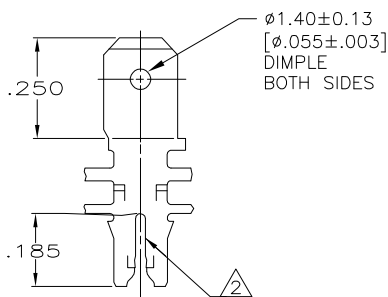
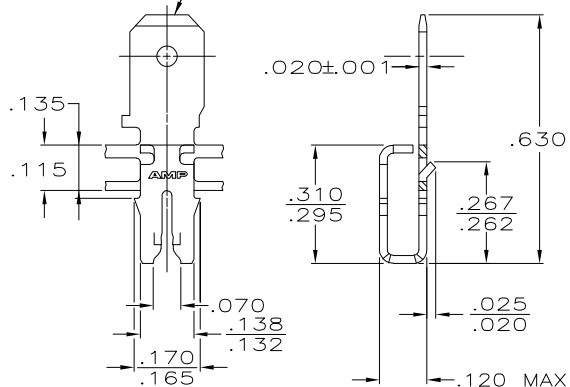
THIS DRAWING IS UNPUBLISHED. RELEASED FOR PUBLICATION
 © COPYRIGHT - BY TYCO ELECTRONICS CORPORATION. ALL RIGHTS RESERVED.

LOC		DIST		REVISIONS			
P	LTR	DESCRIPTION		DATE	DWN	APVD	
	R	REV PER OG3A-0747-04		08OCT2004	RF	KR	

- 1 CONTINUOUS STRIP ON REELS WITH TERMINALS LOCATED ON .220 CENTERS.
- 2 SLOT ACCEPTS #19-#17 COPPER MAGNET WIRE.
- 3 AFTER INSERTION INTO PLASTIC HOLDER TAB PORTION MUST BE BENT OVER 45° TO 90° OR POTTED TO PREVENT PULL-OUT WHEN MATING RECEPTACLE IS DISCONNECTED.



FITS .187 SERIES FASTON RECEPTACLE



SPLICE FREE	62888-2
-	62888-1
REELING	PART NUMBER

THIS DRAWING IS A CONTROLLED DOCUMENT.		DWN	11/7/88		Tyco Electronics Corporation	
DIMENSIONS: INCHES		CHK	11/9/88		Harrisburg, PA 17105-3608	
TOLERANCES UNLESS OTHERWISE SPECIFIED:		MICHAEL S. FEHER		TAB, 187 FASTON, MAG-MATE		
0 PLC ± -		JEFF R. RUTH		-		
1 PLC ± -		APVD		PRODUCT SPEC		
2 PLC ± -		-		108-2012		
3 PLC ± .010		-		APPLICATION SPEC		
4 PLC ± -		-		114-2067		
ANGLES ± 1°		-		SIZE CAGE CODE DRAWING NO		
MATERIAL	FINISH	WEIGHT		A3	00779	62888
4M BRASS	.000080 MIN TIN	CUSTOMER DRAWING		SCALE	4:1	SHEET 1 OF 1 REV R