

4

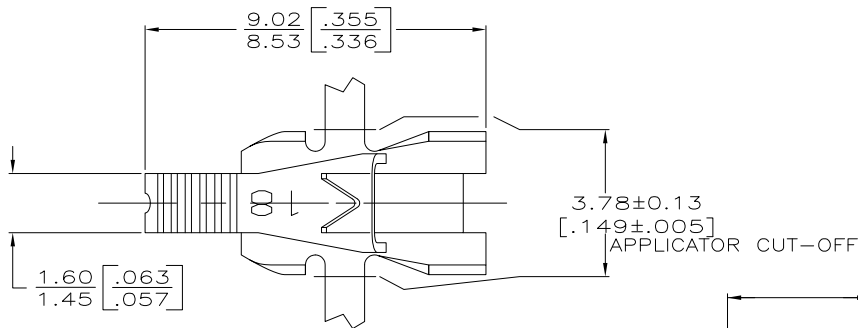
3

2

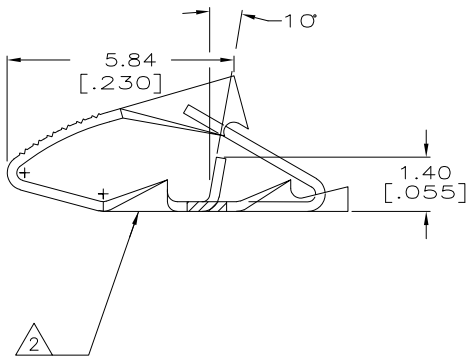
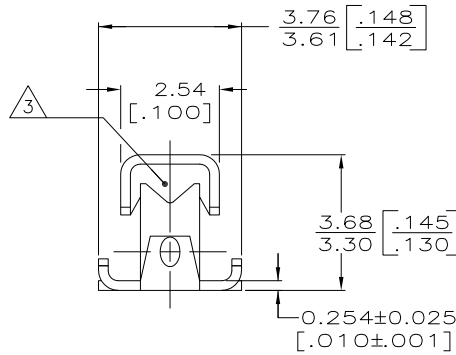
1

THIS DRAWING IS UNPUBLISHED. RELEASED FOR PUBLICATION
 © COPYRIGHT - BY TYCO ELECTRONICS CORPORATION. ALL RIGHTS RESERVED.

| LOC | DIST | REVISIONS | | | | |
|-----|------|---------------------------|---------|-----|------|--|
| P | LTR | DESCRIPTION | DATE | DWN | APVD | |
| AF | 50 | | | | | |
| | | REVISED PER ECR-08-005579 | 11MAR08 | HMR | KR | |



- 1 CONTINUOUS STRIP ON REELS WITH TERMINALS LOCATED ON 6.10 [.240] CENTERS.
- 2 IDENTIFICATION NUMBER (18) FOR MAGNET WIRE RANGE.
- 3 SOLID OR FUSED STRANDED LEAD WIRE 0.3-0.9mm² [#22-#18] AWG.



| | |
|---------------------------|---------|
| 0.10-0.25mm [#38-#30] AWG | 62606-1 |
| COPPER MAGNET WIRE RANGE | |
| PART NO | |

| | | | | | | | |
|--|----------------------------|------------------|----------|---------------------------|--|------------------------------|--|
| THIS DRAWING IS A CONTROLLED DOCUMENT. | | DWN | 9/27/89 | Tyco Electronics | | Tyco Electronics Corporation | |
| DIMENSIONS: | | CHK | 10/12/89 | Harrisburg, PA 17105-3608 | | NAME | |
| INCHES | | MICHAEL S. FEHER | | TERMINAL, POKE-IN, | | MINI MAG-MATE™ | |
| TOLERANCES UNLESS OTHERWISE SPECIFIED: | | JEFF R. RUTH | | PRODUCT SPEC | | RESTRICTED TO | |
| 0 PLC ± - | | APVD | | 10/12/89 | | SIZE | |
| 1 PLC ± - | | NELSON E. NEFF | | APPLICATION SPEC | | CAGE CODE | |
| 2 PLC ± - | | 114-2047 | | WEIGHT | | DRAWING NO | |
| 3 PLC ± 0.25 [.010] | | CUSTOMER DRAWING | | A3 | | 00779 | |
| 4 PLC ± - | | SCALE | | C | | 62606 | |
| ANGLES ± - | | 10:1 | | SHEET | | 1 OF 1 | |
| MATERIAL | FINISH | REV | | P | | | |
| 2M BRASS | 0.002032 [.000080] MIN TIN | | | | | | |

AMP 1470-19 REV 31MAR2000