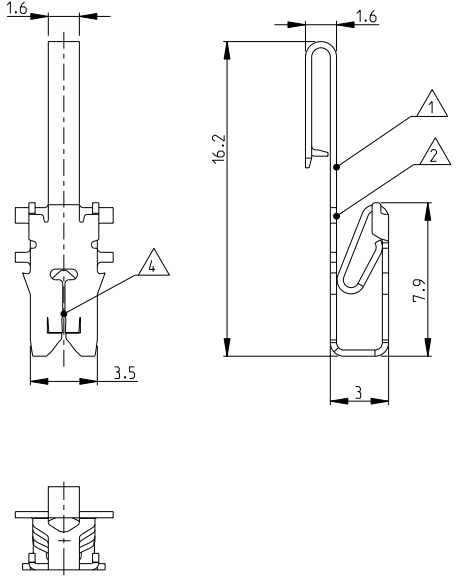
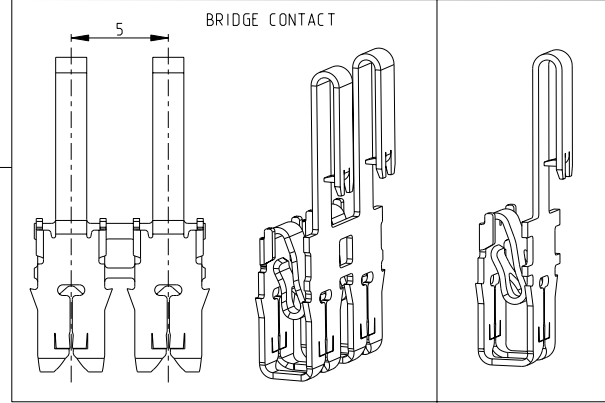
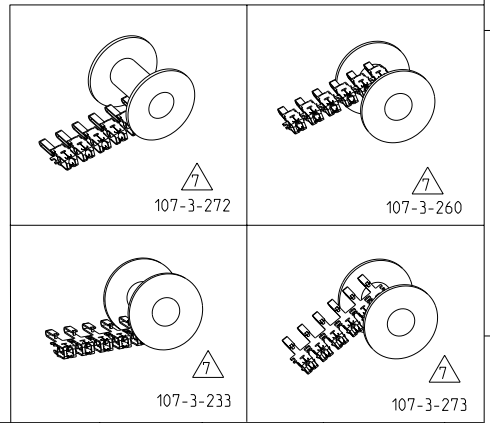


THIS DRAWING IS UNPUBLISHED. RELEASED FOR PUBLICATION
 © COPYRIGHT 20 ALL RIGHTS RESERVED.

LOC	DIST	REVISIONS			
P	LTR	DESCRIPTION	DATE	DNW	APVD
C2		2-1987143-3 ADDED	30SEP2008	DZ	HB
D1		TABLE MODIF. AND DRW ADEP. TO PROD.DRW	16DEZ2008	DZ	SZA
D2		NOTE 3 UPDATED	11SEP2009	PKS	RRP
D3		ECR-10-026537	08AUG11	KK	HMR



- 8 Zwei Draehre gleichen Durchmessers
TWO WIRES OF SAME DIAMETER
- 7 Reeling Richtung
REELING DIRECTION
- 6. Materialdicke 0.32±0.02
STOCK THICKNESS 0.32±0.02
- 5. Werkzeugvorschub : 5mm
DIE FEED : 5mm
- 4 Schlitz geeignet fuer Kupferlackdraht
einfach oder doppelt (gemaeß Tabelle)
SLOT ACCEPTS: SINGLE OR DOUBLE MAGNET WIRE
(SEE TABLE FOR SIZE)
- 3. Kontaktkammer nach
Zeichnung Nr.411-18517
CONTACT CAVITY ACCORDING
DRAWING No. 411-18517
- 2 TE Markenzeichen
TE TRADEMARK
- 1 Kennziffer fuer Lackdrahtbereich
IDENTIFICATION NO. FOR MAGNET WIRE RANGE



4	0.180 to 0.265	0.180 to 0.265	107-3-233	CuNiSi	Pre-tin	6-1987143-2	D
				7 CuZn	BLANK	6-1987143-1	D
					Pre-tin	5-1987143-2	D
					BLANK	5-1987143-1	D
				2-1987143-1	positionned 2-6 µm. Spec. 112-16-3	OBSELETE	2-1987143-3
					Pre-tin	2-1987143-2	D
					BLANK	2-1987143-1	D
				7 CuZn	Pre-tin	4-1987143-2	D
					BLANK	1-1987143-1	D

D. MARK	DOUBLE W. WIRE RANGE	SINGLE W. WIRE RANGE	REELING	MATERIAL	PRODUCED FROM	FINISH	PART NO	Par. Rev.

THIS DRAWING IS A CONTROLLED DOCUMENT.
 DIMENSIONS: mm
 TOLERANCES UNLESS OTHERWISE SPECIFIED:
 0 PLC ±
 1 PLC ±
 2 PLC ±)±0.2
 3 PLC ±
 4 PLC ±
 ANGLES ±
 MATERIAL SEE TABLE FINISH SEE TABLE

OWN Praveen K 16-May-07
 CHK M. Boeffert 10-July-07
 APVD T. Gerlach 10-July-07
 NAME MAG-MATE EDGE-LEAF CONTACT
 PRODUCT SPEC
 APPLICATION SPEC
 SIZE A3 CAGE CODE 00779 DRAWING NO C-1987143 RESTRICTED TO
 CUSTOMER DRAWING SCALE 1:1 SHEET 1 OF 1 REV 03