

4

3

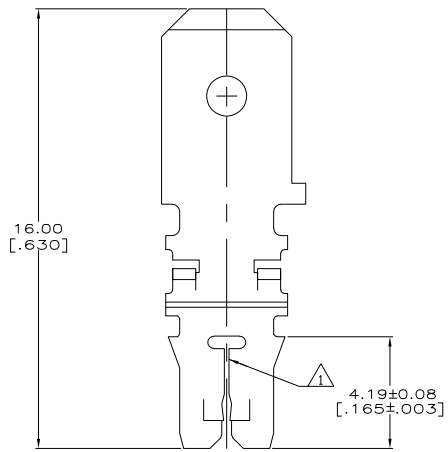
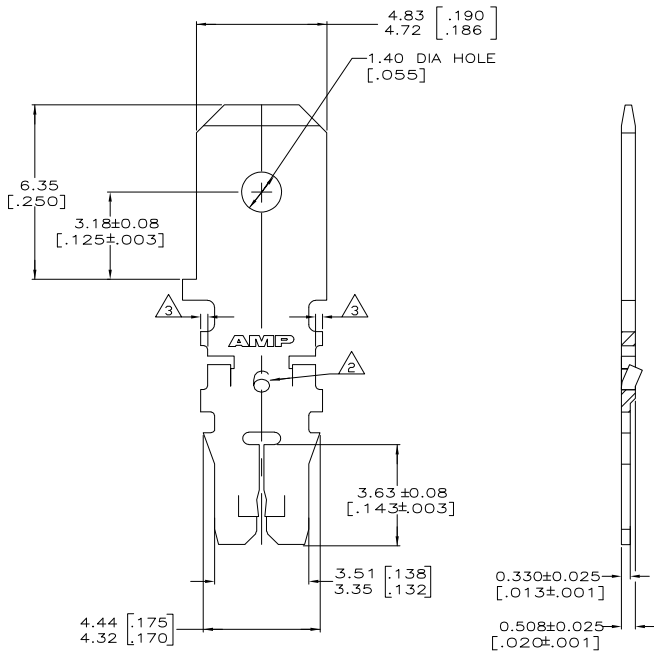
2

1

THIS DRAWING IS UNPUBLISHED. RELEASED FOR PUBLICATION
 © COPYRIGHT BY TYCO ELECTRONICS CORPORATION. ALL RIGHTS RESERVED.

| LOC | DIST | REVISIONS | | | |
|-----|------|-------------|---------------------------|---------|-------|
| P | LTR | DESCRIPTION | DATE | MIN | APD |
| AF | 50 | A1 | REVISED PER ECR-06-029887 | 22DEC06 | MF KR |

- △1 SLOT ACCEPTS 0.25-0.32mm [#30-#28] AWG COPPER MAGNET WIRE. TWO WIRES OF THE SAME SIZE AND TYPE MAX PER SLOT.
- △2 IDENTIFICATION NUMBER 6 FOR THE MAGNET WIRE SLOT SIZE.
- △3 0.25 [.010] MAX CARRIER CUT-OFF TABS.



1742454-1
 PART NUMBER

| | | | | | |
|--|--|--|---|--|---|
| THIS DRAWING IS A CONTROLLED DOCUMENT. | | DWG: MICHAEL S. FEYER OK: KURT A. RANDOLPH APPR: KURT A. RANDOLPH PRODUCT SPEC: 108-1484 APPLICATION SPEC: 114-2140 HEIGHT: - CUSTOMER DRAWING | TycO Electronics Corporation Harrisburg, PA 17105-3608 LOOSE PIECE, TAB, 4.75 [.187] FASTON, MAG-MATE Slim Line | SIZE: A2 CHG CODE: 00779 C=1742454 | RESTRICTED TO: - SCALE: 10:1 SHEET: 1 of 1 REV: A1 |
|--|--|--|---|--|---|

AMP 1471-9 REV 31MM2000

1742454