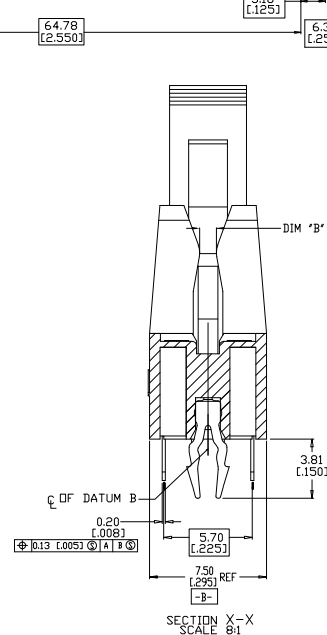
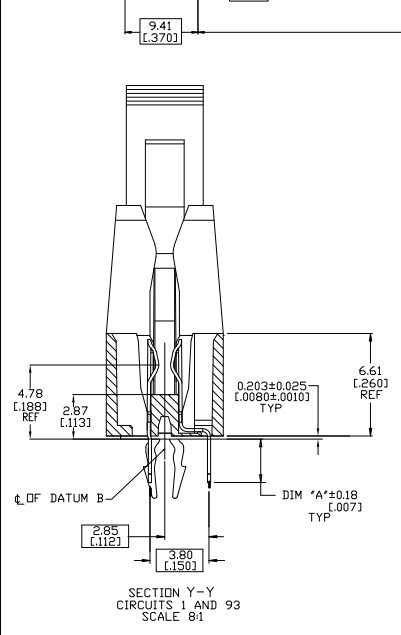
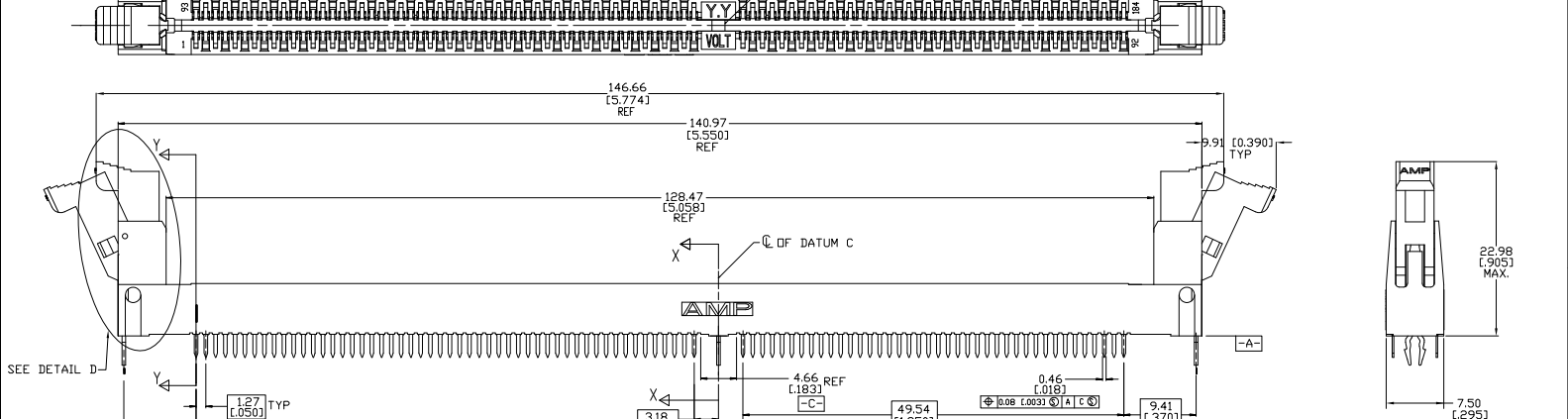


THIS DRAWING IS UNCLASSIFIED  
 UNLESS INDICATED OTHERWISE  
 © 2007 BY THE ELECTRONICS CORPORATION. ALL RIGHTS RESERVED.

REVISED		REVISIONS		DATE	BY	APP
ES	00	Y	UN			
Z						



DETAIL D  
3-390241-3 ONLY

REV	DATE	DESCRIPTION
1.07	[0.42]	3.81 [1.50] DETAIL B 184 POSN DIMM2P 2.5V POST-PLATE CONTACTS 8-390241-2A
1.07	[0.42]	3.81 [1.50] DETAIL B 184 POSN DIMM2P 2.5V POST-PLATED CONTACTS 8-390241-1A
1.07	[0.42]	2.79 [1.10] DETAIL B 184 POSN DIMM2P 2.5V PRE-PLATED CONTACTS 7-390241-1A
SUPERSEDED BY 5390241-9		
1.07	[0.42]	4.26 [1.68] DETAIL B 184 POSN DIMM2P 2.5V 30 GOLD PLATED CONTACTS 6-390241-1A
SUPERSEDED BY 5390241-8		
1.47	[0.80]	3.30 [0.130] DETAIL B 184 POSN DIMM2P 2.5V PRE-PLATED CONTACTS 5-390241-1A
DBSDELETE		
1.07	[0.42]	2.79 [1.10] DETAIL B 184 POSN DIMM2P 2.5V PRE-PLATED CONTACTS 4-390241-1A
DBSDELETE		
1.07	[0.42]	2.79 [1.10] DETAIL B 184 POSN DIMM2P 2.5V PRE-PLATED CONTACTS 3-390241-1A
SUPERSEDED BY 5390241-6		
1.07	[0.42]	2.79 [1.10] DETAIL B 184 POSN DIMM2P 2.5V PRE-PLATED CONTACTS 3-390241-1A
DBSDELETE		
1.47	[0.80]	2.79 [1.10] DETAIL A 184 POSN DIMM2P 1.8V PRE-PLATED CONTACTS 2-390241-2
SUPERSEDED BY 5390241-5		
1.07	[0.42]	2.79 [1.10] DETAIL B 184 POSN DIMM2P 2.5V PRE-PLATED CONTACTS 2-390241-1
DBSDELETE		
1.07	[0.42]	2.79 [1.10] DETAIL A 184 POSN DIMM2P 1.8V PRE-PLATED CONTACTS 1-390241-2A
DBSDELETE		
1.07	[0.42]	2.79 [1.10] DETAIL B 184 POSN DIMM2P 2.5V PRE-PLATED CONTACTS 1-390241-1A
SUPERSEDED BY 5390241-3		
1.07	[0.42]	2.79 [1.10] DETAIL B 184 POSN DIMM2P 2.5V PRE-PLATED CONTACTS 1-390241-1A
SUPERSEDED BY 5390241-2		
1.07	[0.42]	2.79 [1.10] DETAIL A 184 POSN DIMM2P 1.8V PRE-PLATED CONTACTS 390241-5
DBSDELETE		
1.07	[0.42]	3.30 [0.130] DETAIL B 184 POSN DIMM2P 2.5V PRE-PLATED CONTACTS 390241-4
SUPERSEDED BY 5390241-3		
1.07	[0.42]	2.79 [1.10] DETAIL B 184 POSN DIMM2P 2.5V PRE-PLATED CONTACTS 390241-3
SUPERSEDED BY 5390241-2		
1.07	[0.42]	2.79 [1.10] DETAIL A 184 POSN DIMM2P 1.8V PRE-PLATED CONTACTS 390241-2
SUPERSEDED BY 5390241-1		
1.07	[0.42]	2.79 [1.10] DETAIL B 184 POSN DIMM2P 2.5V PRE-PLATED CONTACTS 390241-1

△ MATERIAL AND EXTRACTORS: GLASS FILLED HIGH TEMPERATURE NYLON. HOUSING PHOS. BRONZE. CONTACTS: C5100. TEMPER. RETENTION POST: STAINLESS STEEL, AMP 100-309.

△ FINISH: NICKEL PLATE ALL OVER 0.00127-0.0019 [0.00050-0.00075] THICK PER AMP SPEC 112-25-2. GOLD PLATE IN INTERFACE AREA 0.00038 [0.00015] MIN THICK PER AMP SPEC 112-162-5. TIN LEAD PLATE IN SOLDER TAIL AREA 0.00381-0.00635 [0.000150-0.000250] THICK PER AMP SPEC 112-25-2. PART NUMBER WILL NOT HAVE METAL RETENTION POSTS.

△ EXTRACTOR MATERIAL: POLYSULFONE, COLOR-AMBER, CLEAR. GOLD PLATE IN INTERFACE AREA 0.000076 [0.000030] MIN THICK PER AMP SPEC 112-162-5. NICKEL AND TIN LEAD PLATING SPECIFICATIONS WILL BE THE SAME AS NOTE 2.

△ RETENTION POST: BRASS. RETENTION POST WILL BE MADE FROM 1/4 HARD STAINLESS STEEL PER AMP 100-309.

△ EXTRACTOR MATERIAL: GLASS-FILLED HIGH TEMPERATURE NYLON, COLOR-BLACK. GOLD PLATE IN INTERFACE AREA 0.00076 [0.00030] MIN THICK PER AMP SPEC 112-162-5. OVER 0.00254 [0.000100] MIN THICK NICKEL PER AMP SPEC 112-25-3. MATTE TIN IN SOLDER TAIL AREA 0.00381-0.00635 [0.000150-0.000250] THICK PER AMP SPEC 112-65-1. OVER 0.00127-0.0019 [0.00050-0.000200] THICK NICKEL PER AMP SPEC 112-25-3.

△ PRELIMINARY - NOT RELEASED FOR PRODUCTION

SECTION Y-Y  
CIRCUITS 1 AND 93  
SCALE 8:1

SECTION X-X  
SCALE 8:1

REV	DATE	DESCRIPTION	PART NUMBER
1.07	[0.42]	3.81 [1.50] DETAIL B 184 POSN DIMM2P 2.5V POST-PLATE CONTACTS 8-390241-2A	
1.07	[0.42]	3.81 [1.50] DETAIL B 184 POSN DIMM2P 2.5V POST-PLATED CONTACTS 8-390241-1A	
1.07	[0.42]	2.79 [1.10] DETAIL B 184 POSN DIMM2P 2.5V PRE-PLATED CONTACTS 7-390241-1A	
SUPERSEDED BY 5390241-9			
1.07	[0.42]	4.26 [1.68] DETAIL B 184 POSN DIMM2P 2.5V 30 GOLD PLATED CONTACTS 6-390241-1A	
SUPERSEDED BY 5390241-8			
1.47	[0.80]	3.30 [0.130] DETAIL B 184 POSN DIMM2P 2.5V PRE-PLATED CONTACTS 5-390241-1A	
DBSDELETE			
1.07	[0.42]	2.79 [1.10] DETAIL B 184 POSN DIMM2P 2.5V PRE-PLATED CONTACTS 4-390241-1A	
DBSDELETE			
1.07	[0.42]	2.79 [1.10] DETAIL B 184 POSN DIMM2P 2.5V PRE-PLATED CONTACTS 3-390241-1A	
SUPERSEDED BY 5390241-6			
1.07	[0.42]	2.79 [1.10] DETAIL B 184 POSN DIMM2P 2.5V PRE-PLATED CONTACTS 3-390241-1A	
DBSDELETE			
1.47	[0.80]	2.79 [1.10] DETAIL A 184 POSN DIMM2P 1.8V PRE-PLATED CONTACTS 2-390241-2	
SUPERSEDED BY 5390241-5			
1.07	[0.42]	2.79 [1.10] DETAIL B 184 POSN DIMM2P 2.5V PRE-PLATED CONTACTS 2-390241-1	
DBSDELETE			
1.07	[0.42]	2.79 [1.10] DETAIL A 184 POSN DIMM2P 1.8V PRE-PLATED CONTACTS 1-390241-2A	
DBSDELETE			
1.07	[0.42]	2.79 [1.10] DETAIL B 184 POSN DIMM2P 2.5V PRE-PLATED CONTACTS 1-390241-1A	
SUPERSEDED BY 5390241-3			
1.07	[0.42]	2.79 [1.10] DETAIL B 184 POSN DIMM2P 2.5V PRE-PLATED CONTACTS 1-390241-1A	
SUPERSEDED BY 5390241-2			
1.07	[0.42]	2.79 [1.10] DETAIL A 184 POSN DIMM2P 1.8V PRE-PLATED CONTACTS 390241-5	
DBSDELETE			
1.07	[0.42]	3.30 [0.130] DETAIL B 184 POSN DIMM2P 2.5V PRE-PLATED CONTACTS 390241-4	
SUPERSEDED BY 5390241-3			
1.07	[0.42]	2.79 [1.10] DETAIL B 184 POSN DIMM2P 2.5V PRE-PLATED CONTACTS 390241-3	
SUPERSEDED BY 5390241-2			
1.07	[0.42]	2.79 [1.10] DETAIL A 184 POSN DIMM2P 1.8V PRE-PLATED CONTACTS 390241-2	
SUPERSEDED BY 5390241-1			
1.07	[0.42]	2.79 [1.10] DETAIL B 184 POSN DIMM2P 2.5V PRE-PLATED CONTACTS 390241-1	

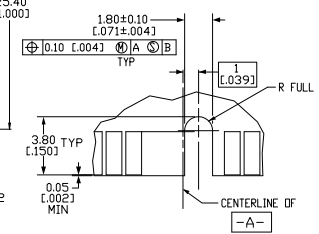
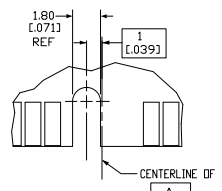
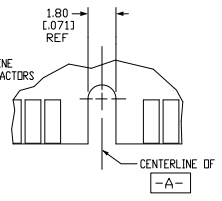
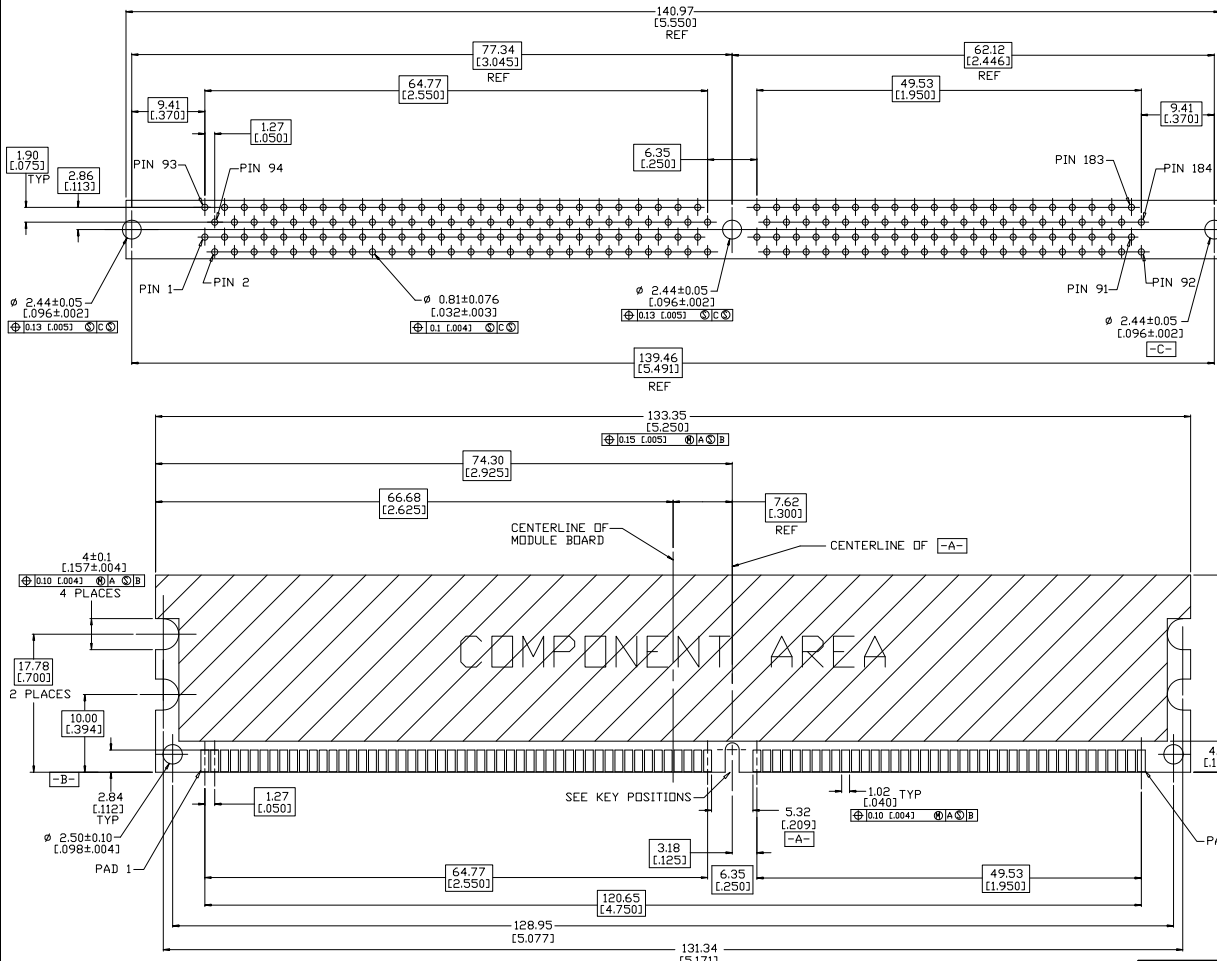
THIS DRAWING IS A CONTROLLED DOCUMENT. IT IS THE PROPERTY OF THE ELECTRONICS CORPORATION. IT IS TO BE KEPT IN CONFIDENCE AND NOT TO BE REPRODUCED OR TRANSMITTED IN ANY FORM OR BY ANY MEANS, ELECTRONIC OR MECHANICAL, INCLUDING PHOTOCOPYING, RECORDING, OR BY ANY INFORMATION STORAGE AND RETRIEVAL SYSTEM, WITHOUT THE WRITTEN PERMISSION OF THE ELECTRONICS CORPORATION.

DATE: 114-1115  
 DRAWING NO: 108-1753  
 PART NUMBER: 390241-1  
 DESCRIPTION: SOCKET ASSEMBLY, DIMM2P 184 POSITION, DDR

Customer Drawing: A100779 ©=390241

THIS DRAWING IS UNAPPROVED FOR REVISIONS  
 © 2008 BY TOSHIBA ELECTRONIC COMPONENTS CORPORATION. ALL RIGHTS RESERVED.

REV	DATE	DESCRIPTION	BY	CHK	APP
00	ES	SEE SHEET 1			



COMPONENT AREA

RECOMMENDED MODULE LAYOUT  
 SEE JEDEC SPEC MD-206 FOR COMPLETE MODULE DETAILS  
 1.27±0.10 [0.050±0.004] THICK ACROSS CONTACT PADS

THIS DRAWING IS A CONTROLLED DOCUMENT		DATE	11/21/11	REV	00
DRAWN BY		DESIGNED BY	108-1753	CUSTOMER DRAWING	
CHECKED BY		APPROVED BY	114-1115	DRAWN BY	
DATE		DATE	DATE	DATE	
11/21/11		11/21/11	11/21/11	11/21/11	
DRAWN BY		DESIGNED BY	APPROVED BY	DRAWN BY	
114-1115		108-1753	114-1115	114-1115	
DATE		DATE	DATE	DATE	
11/21/11		11/21/11	11/21/11	11/21/11	
DRAWN BY		DESIGNED BY	APPROVED BY	DRAWN BY	
114-1115		108-1753	114-1115	114-1115	
DATE		DATE	DATE	DATE	
11/21/11		11/21/11	11/21/11	11/21/11	