

4

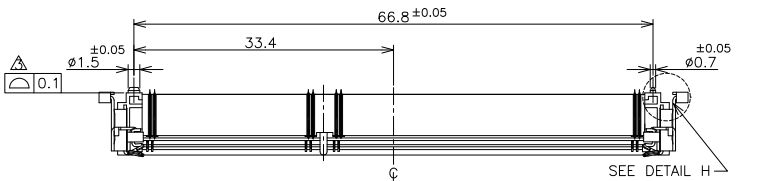
3

2

1

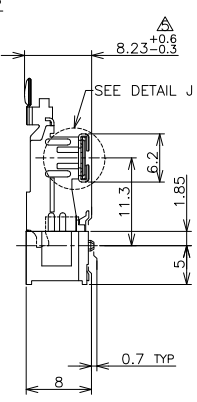
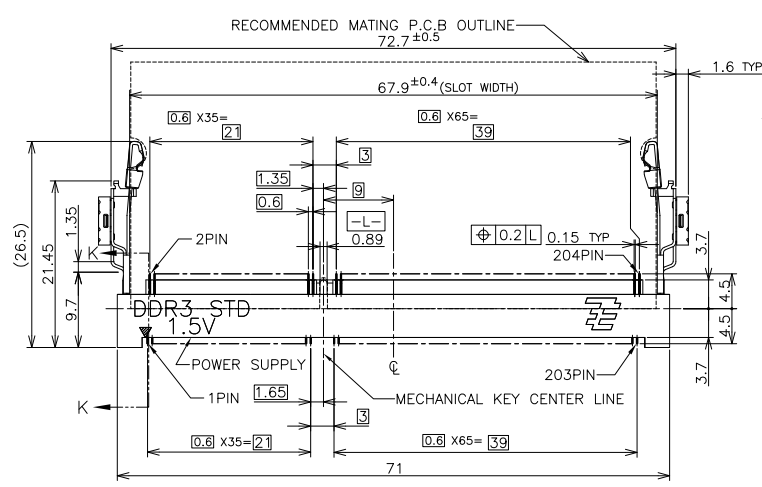
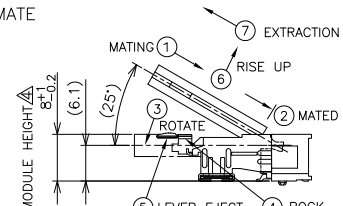
THIS DRAWING IS UNPUBLISHED. RELEASED FOR PUBLICATION SEP. 2007.
 ALL RIGHTS RESERVED. COPYRIGHT 2007 By -

LOC	DIST	REVISIONS			
P	LTR	DESCRIPTION	DATE	DWN	APVD
C3		REVISED PER ECO-11-005033	26MAR11	RK	HMR



HOW TO MATE AND UNMATE

- MATE: ① → ④
- UNMATE: ⑤ → ⑦

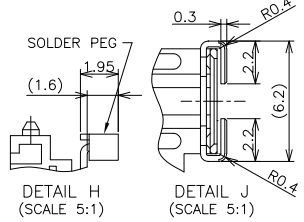
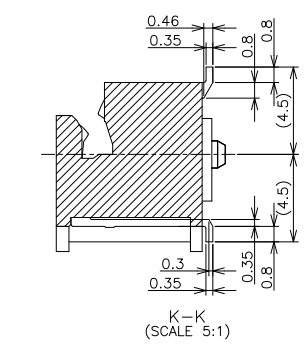


(APPLIED TO SHEET 1-3)

- MATERIAL ; HOUSING: HIGH TEMPERATURE THERMO PLASTIC UL94V-0
 COLOR: SEE TABLE
 CONTACT: COPPER ARROY
 LOCK LEVER: STAINLESS STEEL
 PEG: COPPER ARROY
- 2-1. FINISH ; CONTACT AREA: GOLD FLASH
 ALL OVER NICKEL.
 SOLDERING AREA: GOLD FLASH PLATING
 PEG: TIN PLATING
- 2-2. FINISH ; CONTACT AREA: 0.000254MIN GOLD
 ALL OVER NICKEL.
 SOLDERING AREA: GOLD FLASH PLATING
 PEG: TIN PLATING
- 2-3. FINISH ; CONTACT AREA: 0.00076MIN GOLD
 ALL OVER NICKEL.
 SOLDERING AREA: GOLD FLASH PLATING
 PEG: TIN PLATING

- △ COPLANARITY: 0.1 MAX. (BEFORE SOLDERING)
- △ THE FLOATING VALUE BY SOLDERING IS NOT INCLUDED.
- △ NOT MATING CONDITION.

6. IF THE MODULE DOESN'T INSERT AND LOCK IN THE LATCH SMOOTHLY, OPEN WIDE BOTH LATCHES BY MANUAL AND THE MODULE MUST BE INSERTED AND LOCKED IN THE LATCH.



GENERAL TOLERANCE
 10 ≥ ± 0.2
 30 ≥ > 10: ± 0.25
 100 ≥ > 30: ± 0.3
 ANGLES: ± 3°

THIS DRAWING IS A CONTROLLED DOCUMENT.		DWN T.FUMIKURA 18SEP2007	TE Connectivity	
DIMENSIONS: MM		CHK K.IKEGAMI 18SEP2007		
TOLERANCES UNLESS OTHERWISE SPECIFIED:		APVD K.IKEGAMI 18SEP2007	NAME	
0 PLC ±		PRODUCT SPEC		
1 PLC ±		108-78493		
2 PLC ±		APPLICATION SPEC		
3 PLC ±		SIZE CAGE CODE DRAWING NO		
4 PLC ±		WEIGHT 5.8g A3 00779 C-2013297		
ANGLES ±		RESTRICTED TO		
MATERIAL FINISH		CUSTOMER DRAWING SCALE 2:1 SHEET 1 of 6 REV C3		

4

3


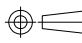
2

1

THIS DRAWING IS UNPUBLISHED. RELEASED FOR PUBLICATION SEP 1, 2007.
 © COPYRIGHT 2007 By - ALL RIGHTS RESERVED.

LOC	DIST	REVISIONS				
P	LTR	DESCRIPTION	DATE	DWN	APVD	
-	-	SEE SHEET 1	-	-	-	

AVAILABLE	ENBOSS (SEE SHEET 6)	WITH BOSS	BLACK	NOTE 2-3	1.5V	204	2-2013297-3
AVAILABLE	ENBOSS (SEE SHEET 6)	WITH BOSS	BLACK	NOTE 2-2	1.5V	204	2-2013297-2
AVAILABLE	ENBOSS (SEE SHEET 6)	WITH BOSS	BLACK	NOTE 2-1	1.5V	204	2-2013297-1
AVAILABLE	SEMI-HARD TRAY (SEE SHEET 5)	WITH BOSS	BLACK	NOTE 2-3	1.5V	204	2013297-3
AVAILABLE	SEMI-HARD TRAY (SEE SHEET 5)	WITH BOSS	BLACK	NOTE 2-2	1.5V	204	2013297-2
AVAILABLE	SEMI-HARD TRAY (SEE SHEET 5)	WITH BOSS	BLACK	NOTE 2-1	1.5V	204	2013297-1
TOOLING STATUS	PACAGKING TYPE	BOSS TYPE	HOUSING COLOR	FINISH	POWER SUPPLY	POS	PART NO.

THIS DRAWING IS A CONTROLLED DOCUMENT.		DWN	 TE Connectivity	
DIMENSIONS: MM		CHK		
		TOLERANCES UNLESS OTHERWISE SPECIFIED: 0 PLC ± 1 PLC ± 2 PLC ± 3 PLC ± 4 PLC ± ANGLES ±		NAME
MATERIAL		FINISH		DDR3 SODIMM SOCKET 0.6mm PITCH 204POS 8.0mm HEIGHT STANDARD TYPE
RESTRICTED TO		SIZE	CAGE CODE	DRAWING NO
CUSTOMER DRAWING		A3	00779	C-2013297
SCALE		2:1		SHEET 2 OF 6 REV C3

4

3

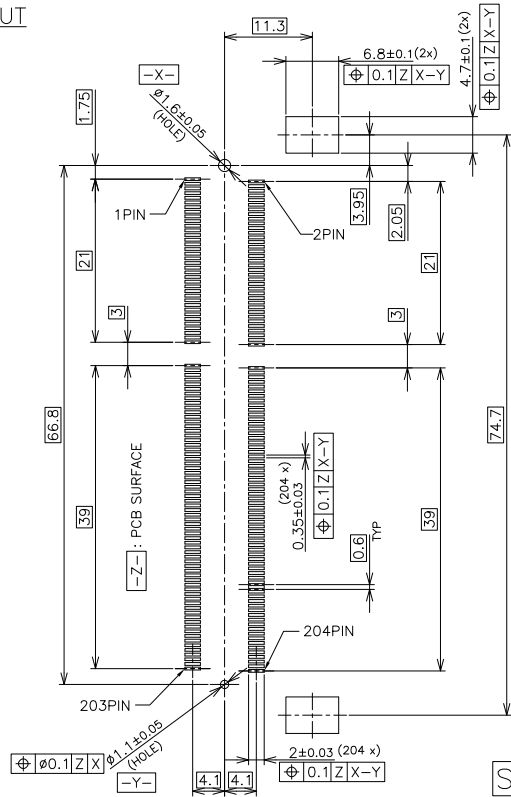
2

1

THIS DRAWING IS UNPUBLISHED. RELEASED FOR PUBLICATION SEP. 2007.
 © COPYRIGHT 2007 By - ALL RIGHTS RESERVED.

LOC		DIST		REVISIONS			
P	LTR	DESCRIPTION	DATE	DWN	APVD		
-	-	SEE SHEET 1	-	-	-		

REFERENCE P.C.BOARD PATTERN LAYOUT
 (CONNECTOR MOUNTING SIDE)



STD TYPE

THIS DRAWING IS A CONTROLLED DOCUMENT.		DWN	TE Connectivity	
DIMENSIONS: MM		CHK		
TOLERANCES UNLESS OTHERWISE SPECIFIED: 0 PLC ± 1 PLC ± 2 PLC ± 3 PLC ± 4 PLC ± ANGLES ±		APVD	NAME	
MATERIAL		PRODUCT SPEC	DDR3 SODIMM SOCKET	
		APPLICATION SPEC	0.6mm PITCH 204POS	
		WEIGHT	8.0mm HEIGHT STANDARD TYPE	
		CUSTOMER DRAWING	SIZE A3	RESTRICTED TO
			CAGE CODE 00779	DRAWING NO. C-2013297
			SCALE 2:1	SHEET 3 of 6
				REV C3

4

3

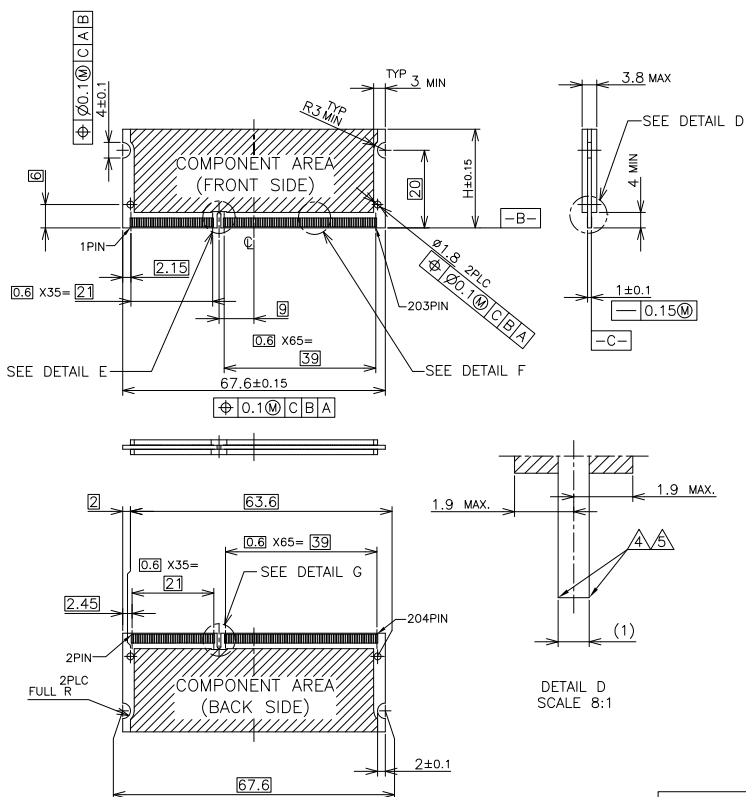
2

1

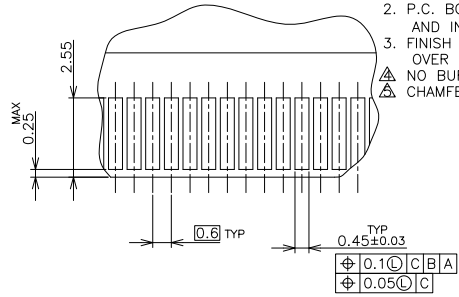
THIS DRAWING IS UNPUBLISHED. RELEASED FOR PUBLICATION SEP. 2007.
 © COPYRIGHT 2007 BY - ALL RIGHTS RESERVED.

LOC	DIST	REVISIONS			
P	LTR	DESCRIPTION	DATE	DWN	APVD
-	-	SEE SHEET 1	-	-	-

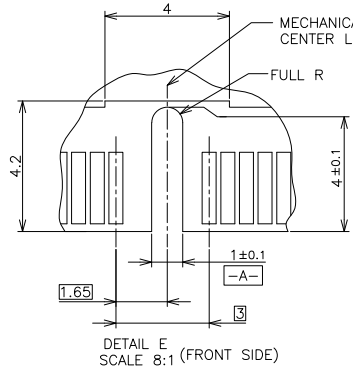
REFERENCE MATING P.C.B CONFIGURATION



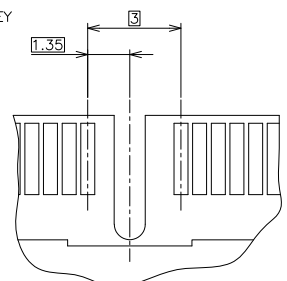
DETAIL F
SCALE 8:1



- (APPLIED TO SHEET 4)
1. TOLERANCES ON ALL DIMENSIONS ±0.15 UNLESS OTHERWISE SPECIFIED.
 2. P.C. BOARD THICKNESS APPLIES ACROSS TABS AND INCLUDES PLATING AND/OR METALIZATION.
 3. FINISH OF PAD : GOLD PLATING 0.00076 MIN. OVER Ni PLATING 0.002MIN.
- NO BURR
 CHAMFER 0.25 MAX x 45° IF EXIST.



DETAIL E
SCALE 8:1 (FRONT SIDE)



DETAIL G
SCALE 8:1 (BACK SIDE)

30	CA
31.75	BA
25.4	AA
H	SDRAM VARIATIONS

THIS DRAWING IS A CONTROLLED DOCUMENT.

DIMENSIONS:	TOLERANCES UNLESS OTHERWISE SPECIFIED:	DWN	CHK	APVD	NAME
MM	0 PLC ±				TE Connectivity
	1 PLC ±				DDR3 SODIMM SOCKET
	2 PLC ±				0.6mm PITCH 204POS
	3 PLC ±				8.0mm HEIGHT STANDARD TYPE
	4 PLC ±				SIZE CAGE CODE DRAWING NO RESTRICTED TO
	ANGLES ±				A3 00779 C-2013297
MATERIAL	FINISH	WEIGHT			CUSTOMER DRAWING
					SCALE 2:1 SHEET 4 OF 6 REV C3

4

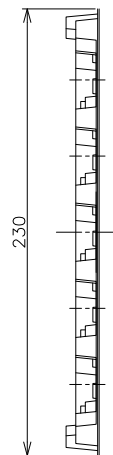
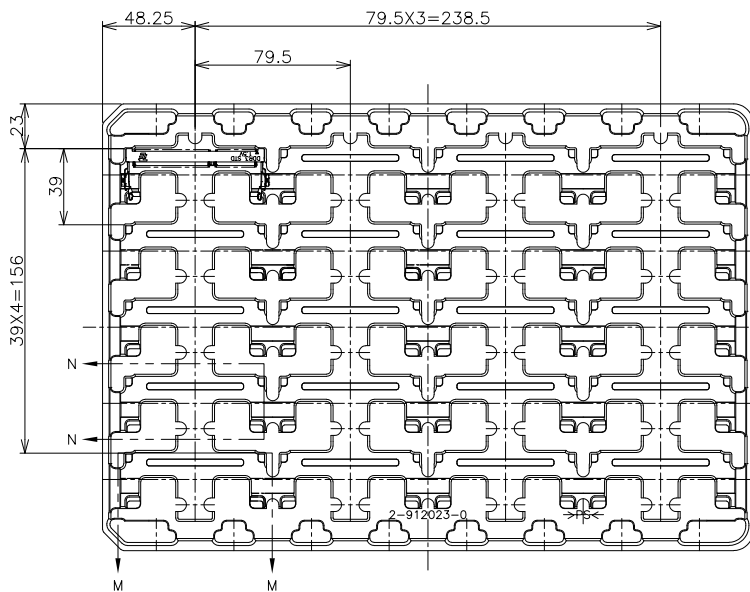
3

2

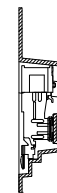
1

THIS DRAWING IS UNPUBLISHED. RELEASED FOR PUBLICATION SEP. 2007.
 © COPYRIGHT 2007 By - ALL RIGHTS RESERVED.

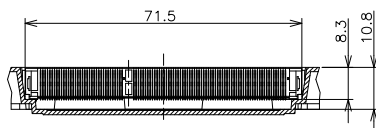
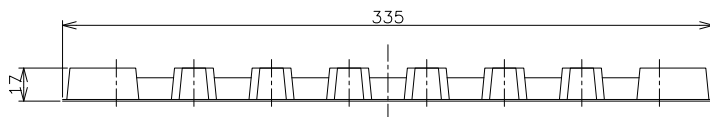
LOC	DIST	REVISIONS				
P	LTR	DESCRIPTION	DATE	DWN	APVD	
-	-	SEE SHEET 1	-	-	-	



- (APPLIED TO SHEET 5)
 1. THE DIRECTION OF EACH CONNECTOR ON A TRAY IS REFERRED TO THIS DRAWING.
 2. GENERAL TOLERANCE: ±0.5, ±3°



N-N
 SCALE 1:1



M-M
 SCALE 1:1
 (180DEG. ROTATE)

THIS DRAWING IS A CONTROLLED DOCUMENT.

DIMENSIONS:	TOLERANCES UNLESS OTHERWISE SPECIFIED:
MM	0 PLC ± 0.5
	1 PLC ± 0.5
	2 PLC ± 0.5
	3 PLC ± 0.5
	4 PLC ± 0.5
	ANGLES ± 3°
MATERIAL	FINISH

200EA	20EA	*-2013297-*
QTY/BOX	QTY/TRAY	PART NO.
STE TE Connectivity		
NAME: DDR3 SODIMM SOCKET		
0.6mm PITCH 204POS		
8.0mm HEIGHT STANDARD TYPE		
SIZE: A3	CAGE CODE: 00779	DRAWING NO: C-2013297
CUSTOMER DRAWING		RESTRICTED TO: -
SCALE: 1:2	SHEET: 5 of 6	REV: C3

4

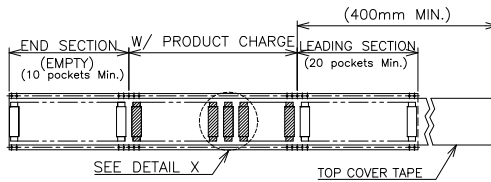
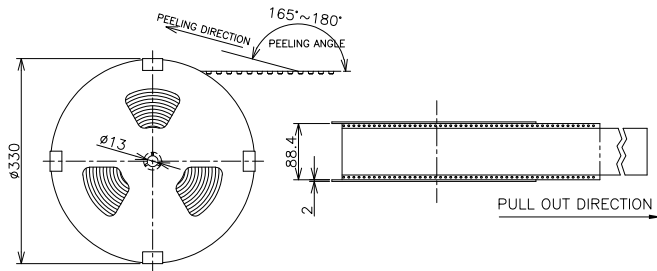
3

2

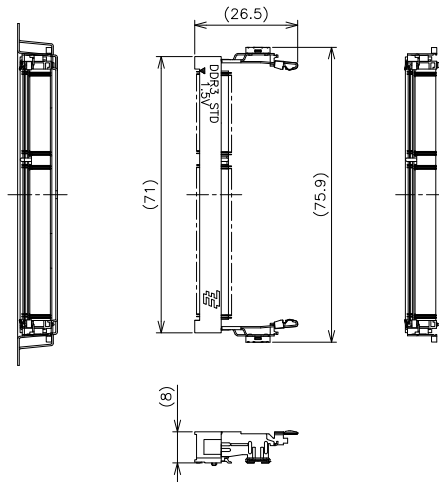
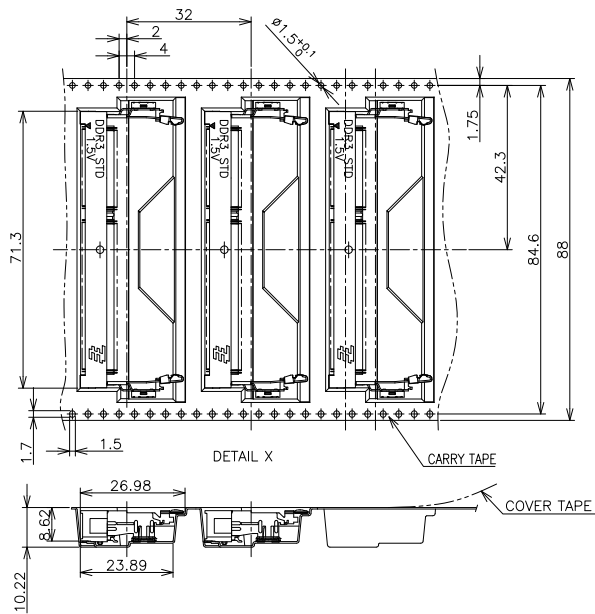
1

THIS DRAWING IS UNPUBLISHED. RELEASED FOR PUBLICATION SEP. 2007. ALL RIGHTS RESERVED. COPYRIGHT 2007 By -

LOC	DIST	REVISIONS			
P	LTR	DESCRIPTION	DATE	DWN	APVD
-	-	SEE SHEET 1	-	-	-



- (APPLIED TO SHEET 6)
1. THE DIRECTION OF EACH CONNECTOR ON A EMBOSS IS REFERRED TO THIS DRAWING.
 2. GENERAL TOLERANCE: ± 0.5 , $\pm 3'$



150EA	*-2013297-*
QTY/REEL	PART NO.

THIS DRAWING IS A CONTROLLED DOCUMENT.		DWN	TE Connectivity	
DIMENSIONS: MM		CHK	NAME	
TOLERANCES UNLESS OTHERWISE SPECIFIED:		APVD	DDR3 SODIMM SOCKET	
0 PLC ± 0.5		PRODUCT SPEC	0.6mm PITCH 204POS	
1 PLC ± 0.5		APPLICATION SPEC	8.0mm HEIGHT STANDARD TYPE	
2 PLC ± 0.5		WEIGHT	SIZE	RESTRICTED TO
3 PLC ± 0.5			A3	
4 PLC ± 0.5			CAGE CODE	DRAWING NO
ANGLES ± 3'			00779	C-2013297
MATERIAL	FINISH	CUSTOMER DRAWING		SCALE 1:1 SHEET 6 OF 6 REV C3