

4

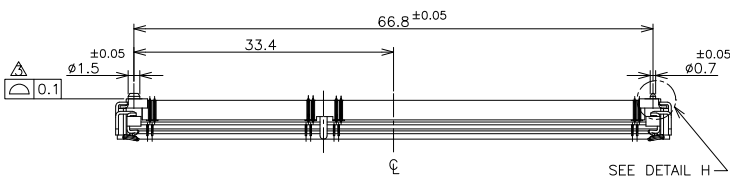
3

2

1

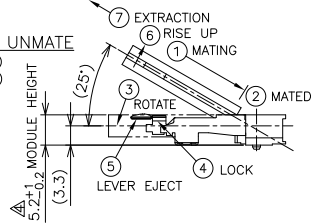
THIS DRAWING IS UNPUBLISHED. RELEASED FOR PUBLICATION SEP 2007.  
 COPYRIGHT 2007 BY - ALL RIGHTS RESERVED.

LOC	DIST	REVISIONS			
P	LTR	DESCRIPTION	DATE	DWN	APVD
B3		REVISED PER ECO-11-005033	25MAR11	RK	HMR

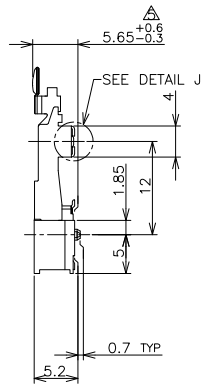
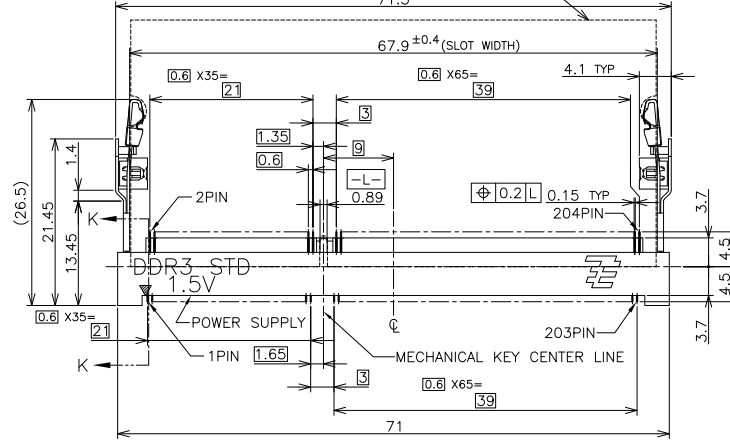


**HOW TO MATE AND UNMATE**

MATE: ① → ④  
 UNMATE: ⑤ → ⑦

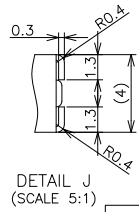
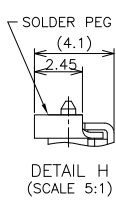
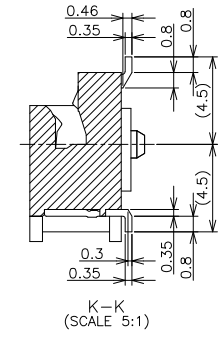


RECOMMENDED MATING P.C.B OUTLINE  
 71.5 ± 0.5



(APPLIED TO SHEET 1-3)

- MATERIAL ; HOUSING: HIGH TEMPERATURE THERMO PLASTIC UL94V-0  
 COLOR: BLACK  
 CONTACT: COPPER ARROY  
 LOCK LEVER: STAINLESS STEEL  
 PEG: COPPER ARROY
  - 2-1. FINISH ; CONTACT AREA: GOLD FLASH  
 ALL OVER NICKEL.  
 SOLDERING AREA: GOLD FLASH PLATING  
 PEG: TIN PLATING
  - 2-2. FINISH ; CONTACT AREA: 0.000254MIN GOLD  
 ALL OVER NICKEL.  
 SOLDERING AREA: GOLD FLASH PLATING  
 PEG: TIN PLATING
  - 2-3. FINISH ; CONTACT AREA: 0.00076MIN GOLD  
 ALL OVER NICKEL.  
 SOLDERING AREA: GOLD FLASH PLATING  
 PEG: TIN PLATING
- △ COPLANARITY: 0.1 MAX. (BEFORE SOLDERING)  
 △ THE FLOATING VALUE BY SOLDERING IS NOT INCLUDED.  
 △ NOT MATING CONDITION.
- IF THE MODULE DOESN'T INSERT AND LOCK IN THE LATCH SMOOTHLY, OPEN WIDE BOTH LATCHES BY MANUAL. AND THE MODULE MUST BE INSERTED AND LOCKED IN THE LATCH.



GENERAL TOLERANCE  
 10 ≥ ± 0.2  
 30 ≥ > 10: ± 0.25  
 100 ≥ > 30: ± 0.3  
 ANGLES: ± 3°

THIS DRAWING IS A CONTROLLED DOCUMENT.		DWN T.FUMIKURA 18SEP2007	TE Connectivity	
DIMENSIONS: MM		CHK K.IKEGAMI 18SEP2007		
TOLERANCES UNLESS OTHERWISE SPECIFIED:		APVD K.IKEGAMI 18SEP2007	NAME	
0 PLC ±		PRODUCT SPEC		
1 PLC ±		108-78493		
2 PLC ±		APPLICATION SPEC		
3 PLC ±		WEIGHT 4.4g		
4 PLC ±		SIZE A3		
ANGLES ±		CAGE CODE 00779		
FINISH		DRAWING NO C-2013289		
MATERIAL		CUSTOMER DRAWING		
		SCALE 2:1		SHEET 1 of 6
				REV B3

4

3


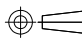
2

1

THIS DRAWING IS UNPUBLISHED. RELEASED FOR PUBLICATION SEP 1, 2007.  
 © COPYRIGHT 2007 By - ALL RIGHTS RESERVED.

LOC	DIST	REVISIONS				
P	LTR	DESCRIPTION	DATE	DWN	APVD	
-	-	SEE SHEET 1	-	-	-	

AVAILABLE	ENBOSS (SEE SHEET 6)	WITH BOSS	BLACK	NOTE 2-3	1.5V	204	2-2013289-3
AVAILABLE	ENBOSS (SEE SHEET 6)	WITH BOSS	BLACK	NOTE 2-2	1.5V	204	2-2013289-2
AVAILABLE	ENBOSS (SEE SHEET 6)	WITH BOSS	BLACK	NOTE 2-1	1.5V	204	2-2013289-1
AVAILABLE	SEMI-HARD TRAY (SEE SHEET 5)	WITH BOSS	BLACK	NOTE 2-3	1.5V	204	2013289-3
AVAILABLE	SEMI-HARD TRAY (SEE SHEET 5)	WITH BOSS	BLACK	NOTE 2-2	1.5V	204	2013289-2
AVAILABLE	SEMI-HARD TRAY (SEE SHEET 5)	WITH BOSS	BLACK	NOTE 2-1	1.5V	204	2013289-1
TOOLING STATUS	PACKAGING TYPE	BOSS TYPE	HOUSING COLOR	FINISH	POWER SUPPLY	POS	PART NO.

THIS DRAWING IS A CONTROLLED DOCUMENT.		DWN	 TE Connectivity	
DIMENSIONS: MM		CHK		
		TOLERANCES UNLESS OTHERWISE SPECIFIED:		NAME
0 PLC ±		APVD		DDR3 SODIMM SOCKET
1 PLC ±		PRODUCT SPEC		0.6mm PITCH 204POS
2 PLC ±		APPLICATION SPEC		5.2mm HEIGHT STANDARD TYPE
3 PLC ±		WEIGHT		SIZE
4 PLC ±		CUSTOMER DRAWING		CAGE CODE
ANGLES ±		SCALE 2:1		DRAWING NO
FINISH		SHEET 2 OF 6		RESTRICTED TO
MATERIAL		REV B3		

4

3

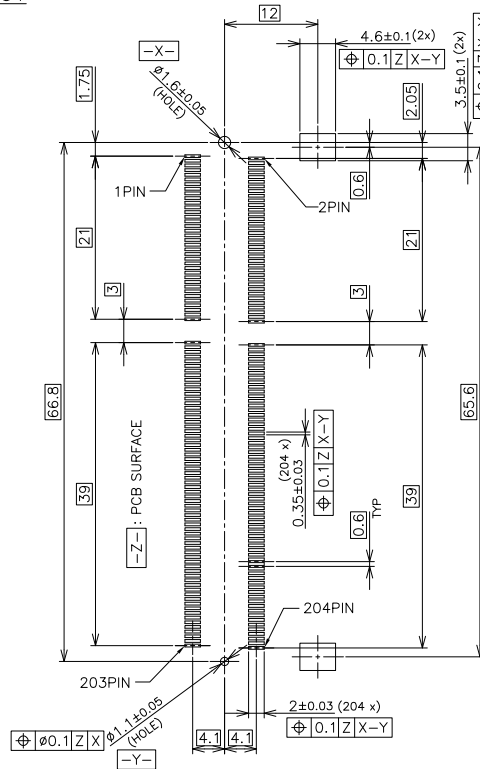
2

1

THIS DRAWING IS UNPUBLISHED. RELEASED FOR PUBLICATION SEP. 2007.  
 © COPYRIGHT 2007 By - ALL RIGHTS RESERVED.

LOC		DIST		REVISIONS			
P	LTR	DESCRIPTION	DATE	DWN	APVD		
-	-	SEE SHEET 1	-	-	-		

REFERENCE P.C.BOARD PATTERN LAYOUT  
 (CONNECTOR MOUNTING SIDE)



STD TYPE

THIS DRAWING IS A CONTROLLED DOCUMENT.		DWN		
DIMENSIONS:		CHK		
MM	TOLERANCES UNLESS OTHERWISE SPECIFIED:	APVD		
0 PLC	±	PRODUCT SPEC	NAME	
1 PLC	±	APPLICATION SPEC	TE Connectivity	
2 PLC	±	WEIGHT	DDR3 SODIMM SOCKET	
3 PLC	±	CUSTOMER DRAWING	0.6mm PITCH 204POS	
4 PLC	±	SCALE	5.2mm HEIGHT STANDARD TYPE	
ANGLES	±	SIZE	CAGE CODE	DRAWING NO
FINISH		A3	00779	C-2013289
				RESTRICTED TO
				B3

4

3

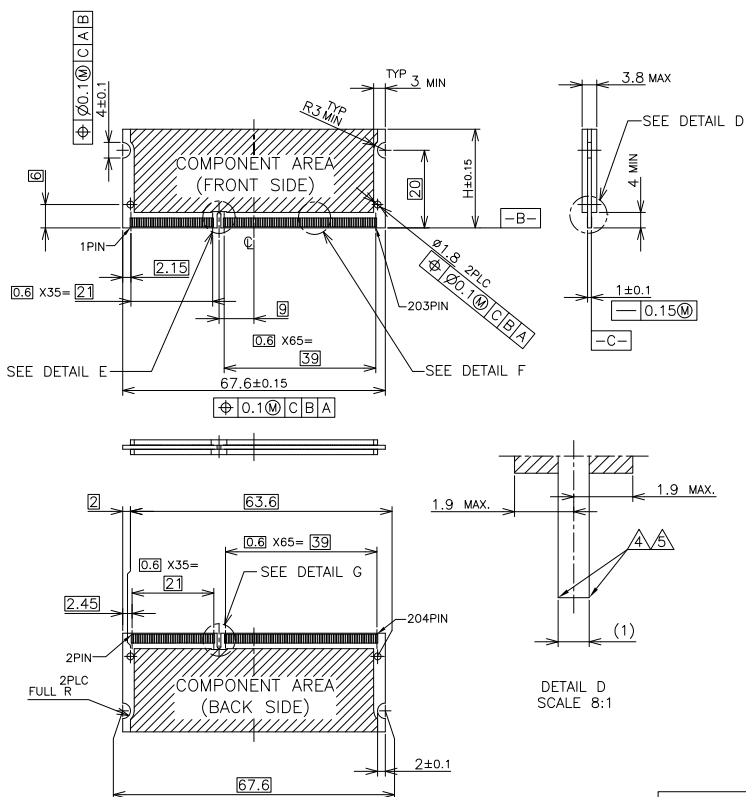
2

1

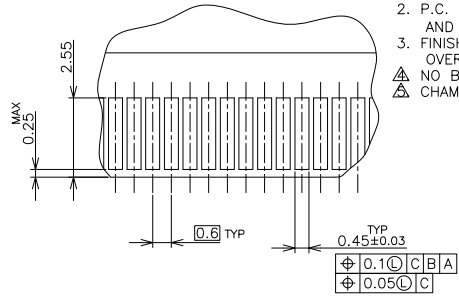
THIS DRAWING IS UNPUBLISHED. RELEASED FOR PUBLICATION SEP. 2007.  
 © COPYRIGHT 2007 BY - ALL RIGHTS RESERVED.

LOC	DIST	REVISIONS			
P	LTR	DESCRIPTION	DATE	DWN	APVD
-	-	SEE SHEET 1	-	-	-

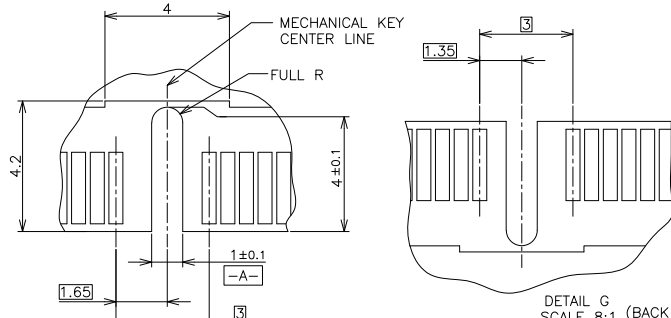
### REFERENCE MATING P.C.B CONFIGURATION



DETAIL F  
SCALE 8:1



- (APPLIED TO SHEET 4)
1. TOLERANCES ON ALL DIMENSIONS ± 0.15 UNLESS OTHERWISE SPECIFIED.
  2. P.C. BOARD THICKNESS APPLIES ACROSS TABS AND INCLUDES PLATING AND/OR METALIZATION.
  3. FINISH OF PAD : GOLD PLATING 0.00076 MIN. OVER Ni PLATING 0.002MIN.
- ⚠ NO BURR  
 ⚠ CHAMFER 0.25 MAX x 45° IF EXIST.



DETAIL E  
SCALE 8:1 (FRONT SIDE)

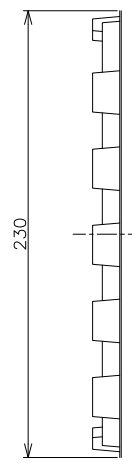
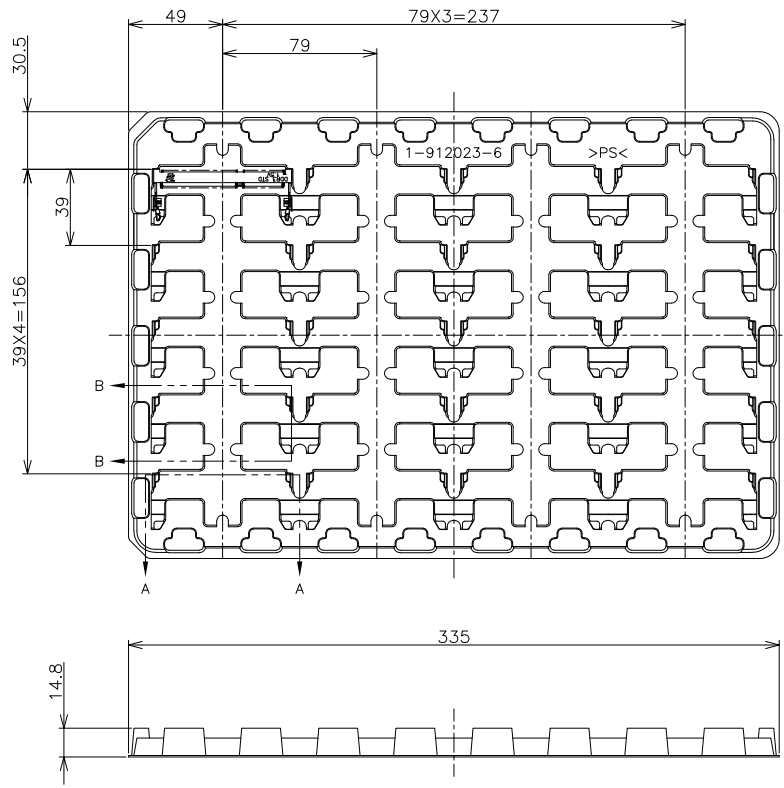
DETAIL G  
SCALE 8:1 (BACK SIDE)

30	CA
31.75	BA
25.4	AA
H	SDRAM VARIATIONS

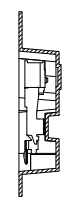
THIS DRAWING IS A CONTROLLED DOCUMENT.		DWN	TE Connectivity	
DIMENSIONS: MM		CHK	NAME	
TOLERANCES UNLESS OTHERWISE SPECIFIED:		APVD	DDR3 SODIMM SOCKET	
0 PLC ±		PRODUCT SPEC	0.6mm PITCH 204POS	
1 PLC ±		APPLICATION SPEC	5.2mm HEIGHT STANDARD TYPE	
2 PLC ±		WEIGHT	SIZE	CAGE CODE
3 PLC ±		CUSTOMER DRAWING	A3	00779
4 PLC ±			DRAWING NO	C-2013289
ANGLES ±		SCALE	SHEET	REV
FINISH		2:1	4 of 6	B3

THIS DRAWING IS UNPUBLISHED. RELEASED FOR PUBLICATION SEP. 2007. ALL RIGHTS RESERVED. COPYRIGHT 2007 By -

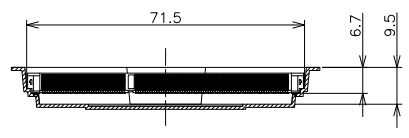
LOC	DIST	REVISIONS			
P	LTR	DESCRIPTION	DATE	DWN	APVD
-	-	SEE SHEET 1	-	-	-



(APPLIED TO SHEET 5)  
 1. THE DIRECTION OF EACH CONNECTOR ON A TRAY IS REFERRED TO THIS DRAWING.  
 2. GENERAL TOLERANCE:  $\pm 0.5, \pm 3^\circ$



B-B  
SCALE 1:1



A-A  
SCALE 1:1  
(180DEG. ROTATE)

THIS DRAWING IS A CONTROLLED DOCUMENT.		DWN	
DIMENSIONS:		CHK	
MM	TOLERANCES UNLESS OTHERWISE SPECIFIED:	APVD	
	0 PLC $\pm 0.5$	PRODUCT SPEC	
	1 PLC $\pm 0.5$	APPLICATION SPEC	
	2 PLC $\pm 0.5$	WEIGHT	
	3 PLC $\pm 0.5$		
	4 PLC $\pm 0.5$		
	ANGLES $\pm 3^\circ$		
MATERIAL	FINISH		

240EA QTY/BOX	20EA QTY/TRAY	*-2013289-* PART NO.
<b>TE</b> TE Connectivity		
NAME DDR3 SODIMM SOCKET 0.6mm PITCH 204POS 5.2mm HEIGHT STANDARD TYPE		
SIZE A3	CAGE CODE 00779	DRAWING NO C-2013289
CUSTOMER DRAWING		RESTRICTED TO
SCALE 1:2	SHEET 5 of 6	REV B3

4

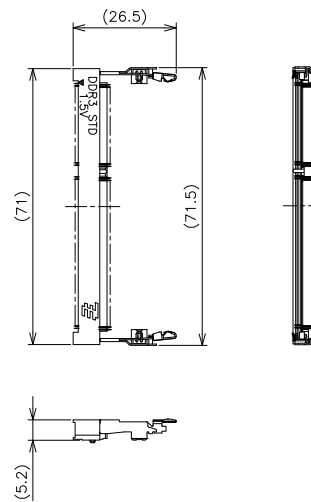
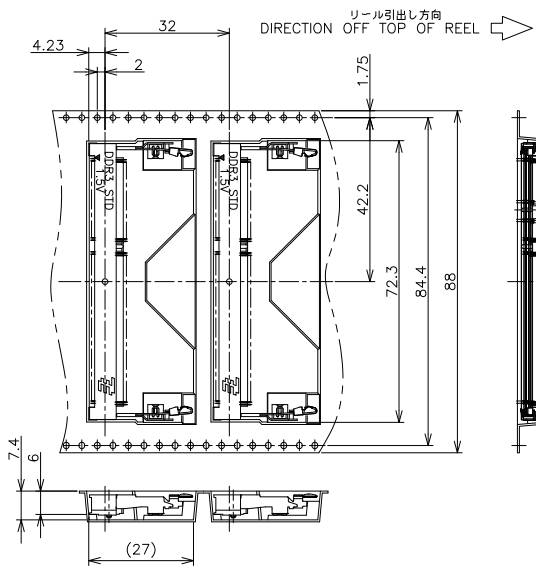
3

2

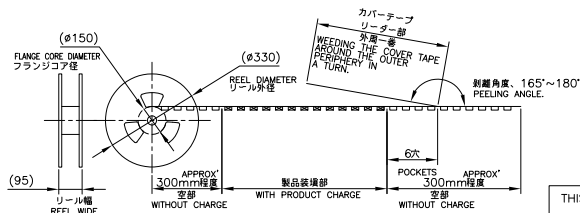
1

THIS DRAWING IS UNPUBLISHED. RELEASED FOR PUBLICATION SEP. 2007. ALL RIGHTS RESERVED.

LOC		DIST		REVISIONS				
P	LTR	DESCRIPTION		DATE	DWN	APVD		
-	-	SEE SHEET 1		-	-	-		



(APPLIED TO SHEET 6)  
 1. THE DIRECTION OF EACH CONNECTOR ON A EMOSS IS REFERRED TO THIS DRAWING.  
 2. GENERAL TOLERANCE:  $\pm 0.5, \pm 3^\circ$



FREE SCALE

THIS DRAWING IS A CONTROLLED DOCUMENT.		DWN		
DIMENSIONS: MM		CHK		
TOLERANCES UNLESS OTHERWISE SPECIFIED:		APVD		
0 PLC $\pm 0.5$		PRODUCT SPEC		
1 PLC $\pm 0.5$		APPLICATION SPEC		
2 PLC $\pm 0.5$		WEIGHT		
3 PLC $\pm 0.5$		CUSTOMER DRAWING		
4 PLC $\pm 0.5$				
ANGLES $\pm 3^\circ$				
MATERIAL	FINISH			

200EA	*-2013289-*
QTY/REEL	PART NO.
<b>TE</b> TE Connectivity	
NAME DDR3 SODIMM SOCKET 0.6mm PITCH 204POS 5.2mm HEIGHT STANDARD TYPE	
SIZE	RESTRICTED TO
A3	
CAGE CODE	DRAWING NO
00779	C-2013289
SCALE	SHEET
1:2	6 of 6
REV	B3