

4

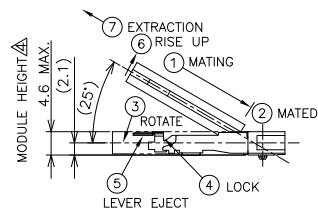
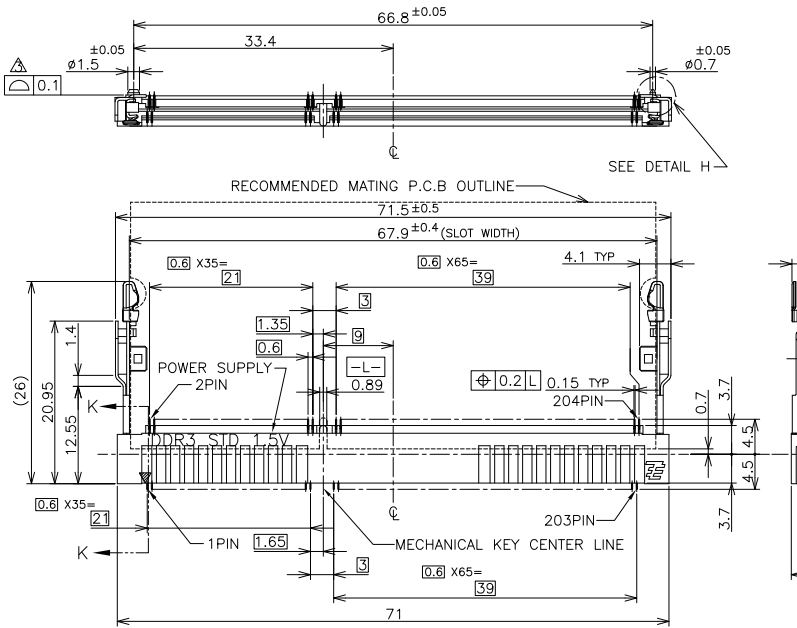
3

2

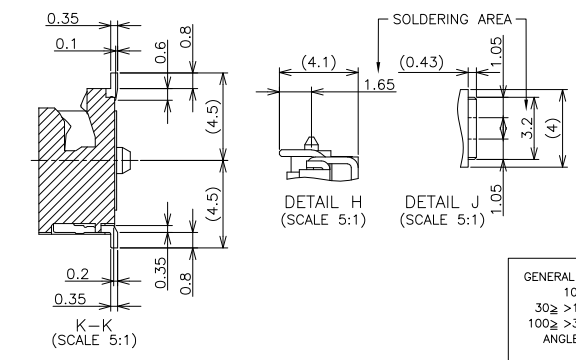
1

THIS DRAWING IS UNPUBLISHED. RELEASED FOR PUBLICATION FEB. 2006.
 ALL RIGHTS RESERVED.
 COPYRIGHT 2006 By -

LOC	DIST	REVISIONS			
P	LTR	DESCRIPTION	DATE	DWN	APVD
B3		REVISED PER ECO-11-005033	26MAR11	RK	HMR



- (APPLIED TO SHEET 1-3)
- MATERIAL ; HOUSING: HIGH TEMPERATURE THERMO PLASTIC UL94V-0
 COLOR: BLACK
 CONTACT: COPPER ARROY
 LOCK LEVER: STAINLESS STEEL
 1. FINISH ; CONTACT AREA: GOLD FLASH
 ALL OVER NICKEL.
 SOLDERING AREA: GOLD FLASH PLATING
 LOCK LEVER: TIN PLATING
 2. FINISH ; CONTACT AREA: 0.000254MIN GOLD
 ALL OVER NICKEL.
 SOLDERING AREA: GOLD FLASH PLATING
 LOCK LEVER: TIN PLATING
 3. FINISH ; CONTACT AREA: 0.00076MIN GOLD
 ALL OVER NICKEL.
 SOLDERING AREA: GOLD FLASH PLATING
 LOCK LEVER: TIN PLATING
- △ COPLANARITY: 0.1 MAX. (BEFORE SOLDERING)
 △ THE FLOATING VALUE BY SOLDERING IS NOT INCLUDED.
 △ NOT MATING CONDITION.
6. IF THE MODULE DOESN'T INSERT AND LOCK IN THE LATCH SMOOTHLY, OPEN WIDE BOTH LATCHES BY MANUAL. AND THE MODULE MUST BE INSERTED AND LOCKED IN THE LATCH.



GENERAL TOLERANCE
 10 ≥ ± 0.2
 30 ≥ > 10: ± 0.25
 100 ≥ > 30: ± 0.3
 ANGLES: ± 3°

THIS DRAWING IS A CONTROLLED DOCUMENT.		DWN T.FUMIKURA 18SEP2007	TE Connectivity	
DIMENSIONS: MM		CHK K.IKEGAMI 18SEP2007		
TOLERANCES UNLESS OTHERWISE SPECIFIED:		APVD K.IKEGAMI 18SEP2007	NAME	
0 PLC ±		PRODUCT SPEC		
1 PLC ±		108-78493		
2 PLC ±		APPLICATION SPEC		
3 PLC ±		WEIGHT 3.6g		
4 PLC ±		SIZE A3		
ANGLES ±		CAGE CODE 00779		
FINISH		DRAWING NO. C-2013022		
MATERIAL		CUSTOMER DRAWING		
		SCALE 2:1		SHEET 1 of 6
				REV B3

4

3


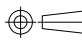
2

1

THIS DRAWING IS UNPUBLISHED. RELEASED FOR PUBLICATION FEB ,2006.
 © COPYRIGHT 2006 By - ALL RIGHTS RESERVED.

LOC	DIST	REVISIONS				
P	LTR	DESCRIPTION	DATE	DWN	APVD	
-	-	SEE SHEET 1	-	-	-	

AVAILABLE	ENBOSS (SEE SHEET 6)	WITH BOSS	BLACK	NOTE 2-3	1.5V	204	2-2013022-3
AVAILABLE	ENBOSS (SEE SHEET 6)	WITH BOSS	BLACK	NOTE 2-2	1.5V	204	2-2013022-2
AVAILABLE	ENBOSS (SEE SHEET 6)	WITH BOSS	BLACK	NOTE 2-1	1.5V	204	2-2013022-1
AVAILABLE	SEMI-HARD TRAY (SEE SHEET 5)	WITH BOSS	BLACK	NOTE 2-3	1.5V	204	2013022-3
AVAILABLE	SEMI-HARD TRAY (SEE SHEET 5)	WITH BOSS	BLACK	NOTE 2-2	1.5V	204	2013022-2
AVAILABLE	SEMI-HARD TRAY (SEE SHEET 5)	WITH BOSS	BLACK	NOTE 2-1	1.5V	204	2013022-1
TOOLING STATUS	PACKING TYPE	BOSS TYPE	HOUSING COLOR	FINISH	POWER SUPPLY	POS	PART NO.

GENERAL TOLERANCE 10 _≥ :±0.2 30 _≥ >10:±0.25 100 _≥ >30:±0.3 ANGLES:±3°	THIS DRAWING IS A CONTROLLED DOCUMENT.		DWN	 TE Connectivity NAME DDR3 SODIMM SOCKET 0.6mm PITCH 204POS 4mm HEIGHT STANDARD TYPE				
	DIMENSIONS: MM	TOLERANCES UNLESS OTHERWISE SPECIFIED:	CHK					
		0 PLC ±	APVD		PRODUCT SPEC			
		1 PLC ±	APPLICATION SPEC		WEIGHT			
MATERIAL	FINISH	SIZE	CAGE CODE	DRAWING NO	RESTRICTED TO			
		A3	00779	C-2013022	-			
CUSTOMER DRAWING			SCALE	FREE	SHEET	2 of 6	REV	B3

4

3

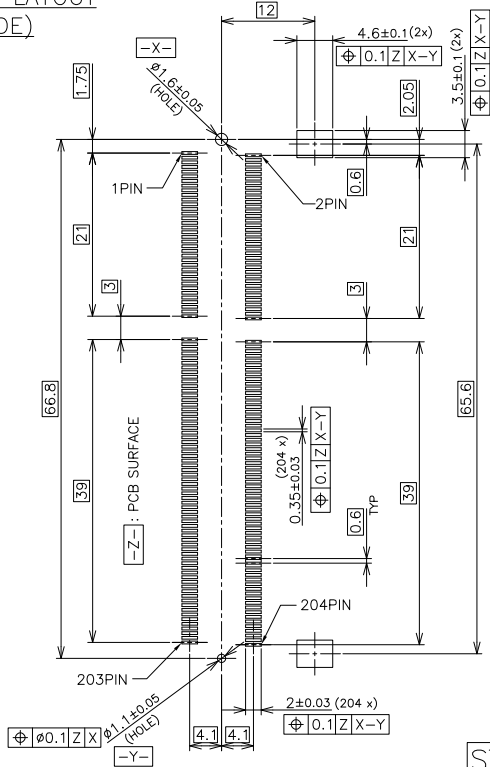
2

1

THIS DRAWING IS UNPUBLISHED. RELEASED FOR PUBLICATION FEB. 2006.
 © COPYRIGHT 2006 By - ALL RIGHTS RESERVED.

LOC		DIST		REVISIONS			
P	LTR	DESCRIPTION		DATE	DWN	APVD	
-	-	SEE SHEET 1		-	-	-	

REFERENCE P.C.BOARD PATTERN LAYOUT
 (CONNECTOR MOUNTING SIDE)



STD TYPE

THIS DRAWING IS A CONTROLLED DOCUMENT.		DWN	TE Connectivity NAME DDR3 SODIMM SOCKET 0.6mm PITCH 204POS 4mm HEIGHT STANDARD TYPE	
DIMENSIONS: MM		CHK		
TOLERANCES UNLESS OTHERWISE SPECIFIED: 0 PLC ± 1 PLC ± 2 PLC ± 3 PLC ± 4 PLC ± ANGLES ±		APVD		
MATERIAL		FINISH		
SIZE		CAGE CODE	DRAWING NO	RESTRICTED TO
A3		00779	C-2013022	-
CUSTOMER DRAWING		SCALE	SHEET	REV
		2:1	3 of 6	B3

4

3

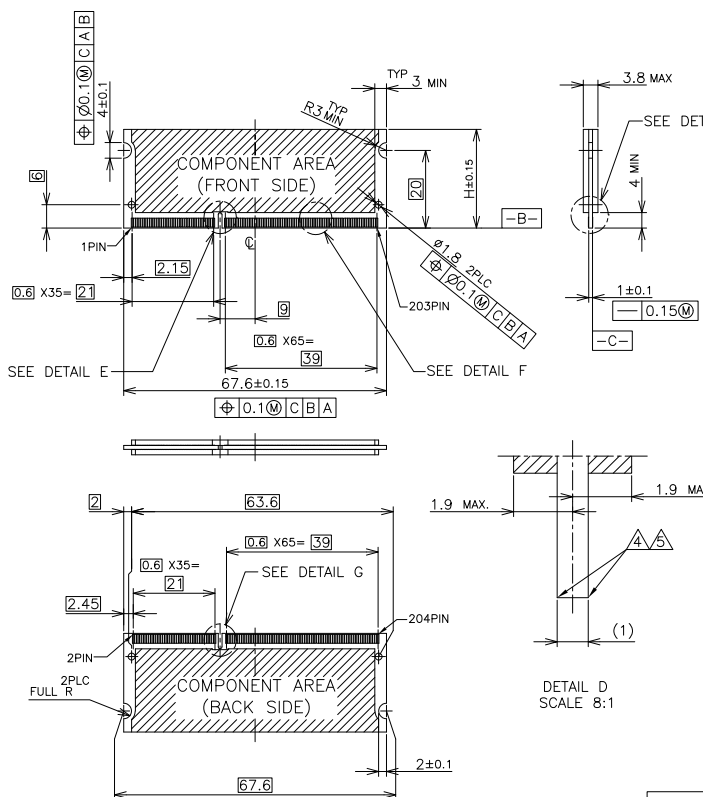
2

1

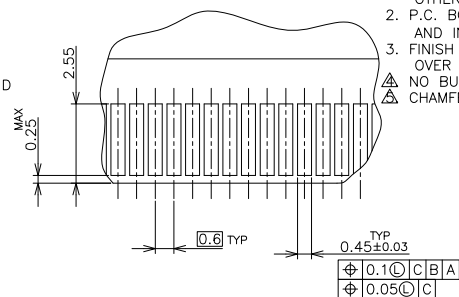
THIS DRAWING IS UNPUBLISHED. RELEASED FOR PUBLICATION FEB. 2006.
 ALL RIGHTS RESERVED.
 COPYRIGHT 2006 By -

LOC	DIST	REVISIONS			
P	LTR	DESCRIPTION	DATE	DWN	APVD
-	-	SEE SHEET 1	-	-	-

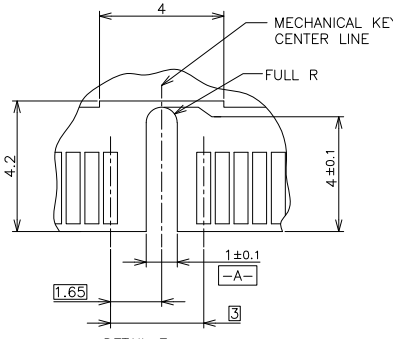
REFERENCE MATING P.C.B CONFIGURATION



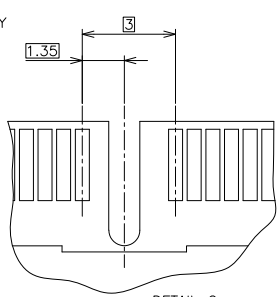
DETAIL F
SCALE 8:1



- (APPLIED TO SHEET 4)
1. TOLERANCES ON ALL DIMENSIONS ±0.15 UNLESS OTHERWISE SPECIFIED.
 2. P.C. BOARD THICKNESS APPLIES ACROSS TABS AND INCLUDES PLATING AND/OR METALIZATION.
 3. FINISH OF PAD : GOLD PLATING 0.00076 MIN. OVER Ni PLATING 0.002MIN.
- NO BURR
 CHAMFER 0.25 MAX x 45° IF EXIST.



DETAIL E
SCALE 8:1 (FRONT SIDE)



DETAIL G
SCALE 8:1 (BACK SIDE)

30	CA
31.75	BA
25.4	AA
H	SDRAM VARIATIONS

THIS DRAWING IS A CONTROLLED DOCUMENT.

DIMENSIONS:	TOLERANCES UNLESS OTHERWISE SPECIFIED:	DWN	CHK	APVD	NAME
MM	0 PLC ±				
	1 PLC ±				
	2 PLC ±				
	3 PLC ±				
	4 PLC ±				
	ANGLES ±				
MATERIAL	FINISH	PRODUCT SPEC	APPLICATION SPEC	WEIGHT	RESTRICTED TO

TE Connectivity

DDR3 SODIMM SOCKET
 0.6mm PITCH 204POS
 4mm HEIGHT STANDARD TYPE

SIZE: A3 CAGE CODE: 00779 DRAWING NO: C-2013022

CUSTOMER DRAWING SCALE: 2:1 SHEET: 4 OF 6 REV: B3

4

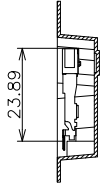
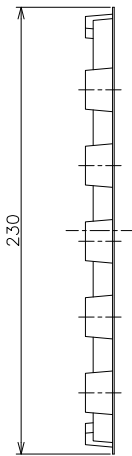
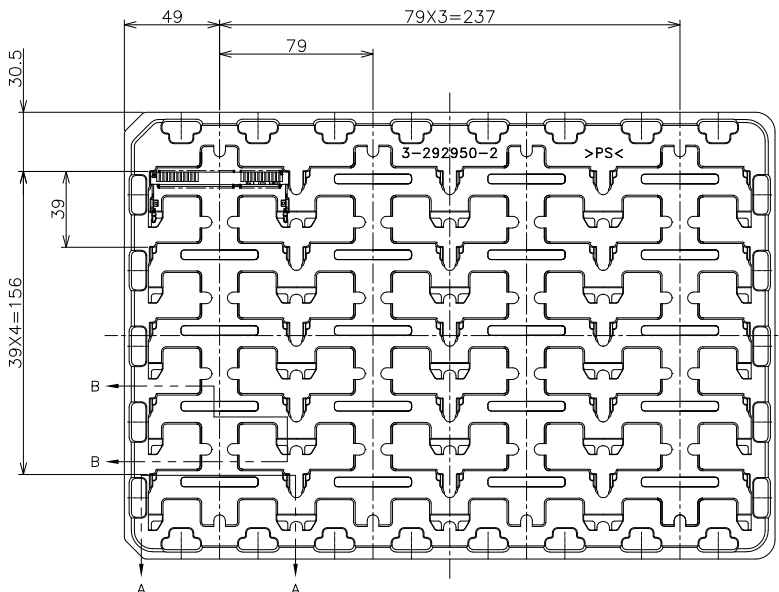
3

2

1

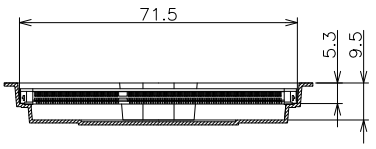
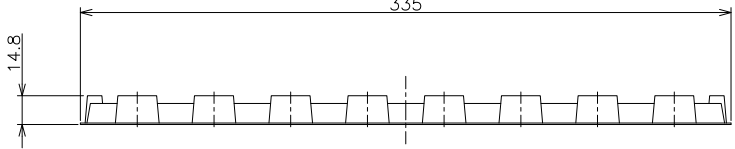
THIS DRAWING IS UNPUBLISHED. RELEASED FOR PUBLICATION FEB. 2006.
 © COPYRIGHT 2006 By - ALL RIGHTS RESERVED.

LOC	DIST	REVISIONS				
P	LTR	DESCRIPTION	DATE	DWN	APVD	
-	-	SEE SHEET 1	-	-	-	



B-B
SCALE 1:1

(APPLIED TO SHEET 5)
 1. THE DIRECTION OF EACH CONNECTOR ON A TRAY IS REFERRED TO THIS DRAWING.
 2. GENERAL TOLERANCE: ± 0.5 , $\pm 3^\circ$



A-A
SCALE 1:1
(180DEG. ROTATE)

240EA QTY/BOX	20EA QTY/TRAY	*-2013022-* PART NO.
TE TE Connectivity		
NAME DDR3 SODIMM SOCKET 0.6mm PITCH 204POS 4mm HEIGHT STANDARD TYPE		
SIZE A3	CAGE CODE 00779	DRAWING NO C-2013022
CUSTOMER DRAWING		RESTRICTED TO
SCALE 1:2	SHEET 5 of 6	REV B3

THIS DRAWING IS A CONTROLLED DOCUMENT.		DWN
DIMENSIONS: MM		CHK
TOLERANCES UNLESS OTHERWISE SPECIFIED:		APVD
0 PLC	± 0.5	PRODUCT SPEC
1 PLC	± 0.5	APPLICATION SPEC
2 PLC	± 0.5	WEIGHT
3 PLC	± 0.5	
4 PLC	± 0.5	
ANGLES	$\pm 3^\circ$	
MATERIAL	FINISH	

4

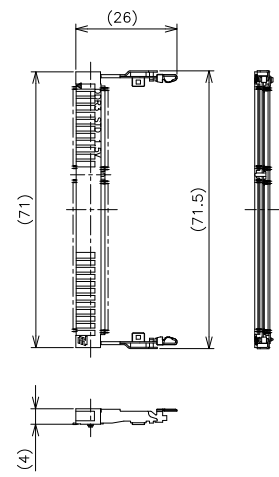
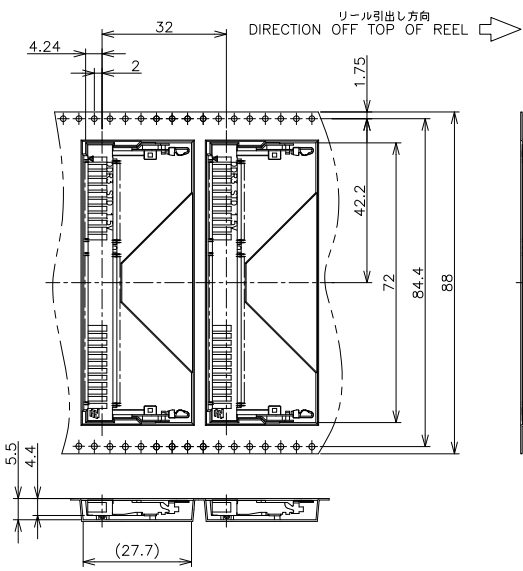
3

2

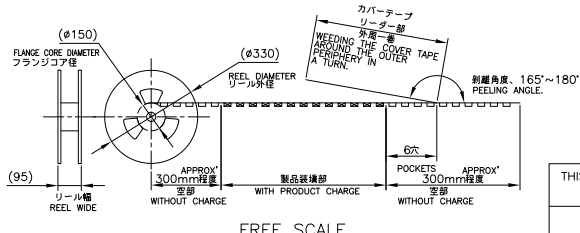
1

THIS DRAWING IS UNPUBLISHED. RELEASED FOR PUBLICATION FEB. 2006.
 © COPYRIGHT 2006 By - ALL RIGHTS RESERVED.

LOC	DIST	REVISIONS				
P	LTR	DESCRIPTION	DATE	DWN	APVD	
-	-	SEE SHEET 1	-	-	-	



(APPLIED TO SHEET 6)
 1. THE DIRECTION OF EACH CONNECTOR ON A EMOSS IS REFERRED TO THIS DRAWING.
 2. GENERAL TOLERANCE: ±0.5, ±3°



FREE SCALE

THIS DRAWING IS A CONTROLLED DOCUMENT.

DIMENSIONS:	TOLERANCES UNLESS OTHERWISE SPECIFIED:
MM	0 PLC ± 0.5
	1 PLC ± 0.5
	2 PLC ± 0.5
	3 PLC ± 0.5
	4 PLC ± 0.5
	ANGLES ± 3°
MATERIAL	FINISH

DWN
CHK
APVD
PRODUCT SPEC
APPLICATION SPEC
WEIGHT
CUSTOMER DRAWING

200EA	*-2013022-*
QTY/REEL	PART NO.
TE TE Connectivity	
NAME DDR3 SODIMM SOCKET 0.6mm PITCH 204POS 4mm HEIGHT STANDARD TYPE	
SIZE	CAGE CODE
A3	00779
DRAWING NO	RESTRICTED TO
©-2013022	-
SCALE 1:1	SHEET 6 OF 6
REV B3	