

4

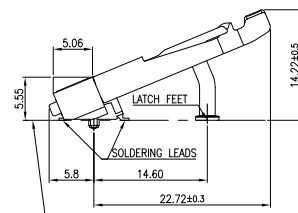
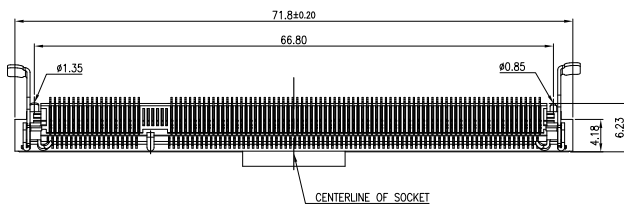
3

2

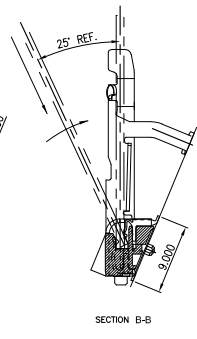
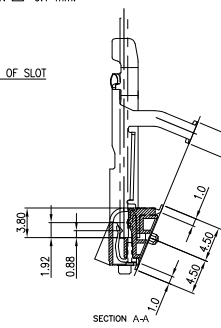
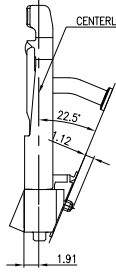
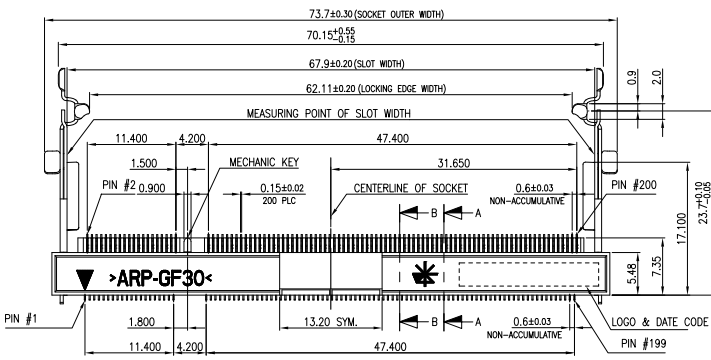
1

THIS DRAWING IS UNPUBLISHED. RELEASED FOR PUBLICATION
 © COPYRIGHT - By - ALL RIGHTS RESERVED.

LOC	DIST	REVISIONS				
P	LTR	DESCRIPTION	DATE	DWN	APVD	
B2		REVISED PER ECO-11-005301	16APR11	RK	HMR	



MOUNTING SURFACE OF P.C. BOARD
 ALL SOLDERING LEADS AND LATCH FEET
 MUST BE COPLANAR WITHIN $\nabla 0.1$ mm.



- NOTE:
- MATERIAL:
HOUSING: LCP WITH 30% GF, UL 94V-0, COLOR: NATURE.
CONTACTS: PHOSPHOR BRONZE.
LATCH: STAINLESS.
 - FINISH:
CONTACTS: GOLD PLATED (SEE TABLE) ON CONTACT AREA,
GOLD FLASH ON SOLDER TAILS, WITH ENTIRE
CONTACT UNDERPLATED 1.27μm [50μ"] MIN. NICKEL.
LATCH: 2.032μm[80μ"] ~ 4.064μm[160μ"] MATTE-TIN PLATED
OVER 1.27μm [50μ"] MIN. NICKEL PLATED.
 - REFLOW SOLDER CAPABLE TO 260°C PER TE CONNECTIVITY TEST SPEC.
109-201, CONDITION B.

TRAY	2.5 V	0.762μm[30μ"] MIN.	1834017-2
TRAY		0.254μm[10μ"] MIN.	1834017-1
PACKING VOLTAGE		GOLD PLATED	PART NUMBER

THIS DRAWING IS A CONTROLLED DOCUMENT.

DIMENSIONS:	TOLERANCES UNLESS OTHERWISE SPECIFIED:	DWN	J. LAI	15JUN2009	TE Connectivity		
mm		CHK	S. CHIEN	15JUN2009			
		APVD	W. KODAMA	15JUN2009			
		NAME					
		PRODUCT SPEC	108-57503				
		APPLICATION SPEC	ANGLED SO DIMM SOCKET ASSY, 0.6mm PITCH, 200 POSN, 22.5 DEGREE TILT				
MATERIAL	FINISH	WEIGHT	4.43 GRAMS	SIZE	CAGE CODE	DRAWING NO	RESTRICTED TO
SEE NOTE	SEE NOTE			A3	00779	C-1834017	
CUSTOMER DRAWING			SCALE	SHEET	1 OF 7	REV	B2

4

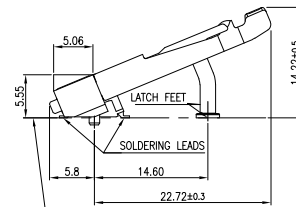
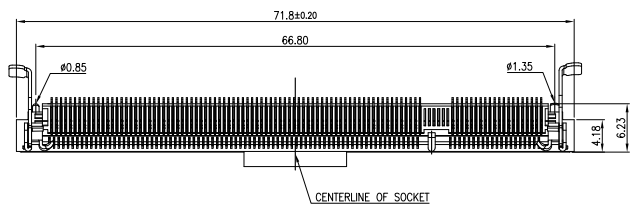
3

2

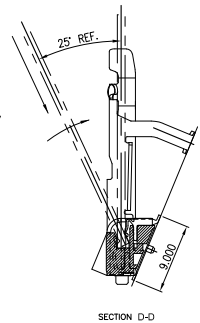
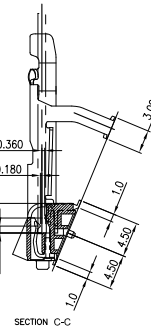
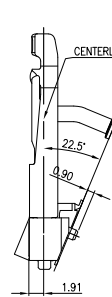
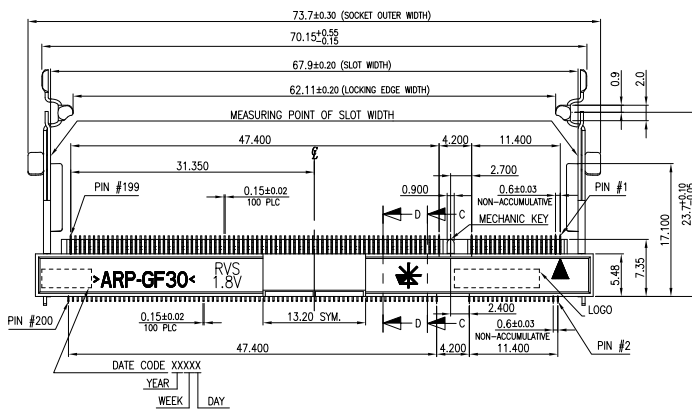
1

THIS DRAWING IS UNPUBLISHED. RELEASED FOR PUBLICATION
 © COPYRIGHT - By - ALL RIGHTS RESERVED.

LOC	DIST	REVISIONS				
P	LTR	DESCRIPTION	DATE	DWN	APVD	
DW	-	SEE SHEET 1	-	-	-	



MOUNTING SURFACE OF P.C. BOARD
 ALL SOLDERING LEADS AND LATCH FEET
 MUST BE COPLANAR WITHIN ∇ 0.1 mm.



T/R	REVERSE	1.8 V	0.762μm [30μ"] MIN.	1-1834017-2
TRAY			0.254μm [10μ"] MIN.	1-1834017-1
PACKING	PART VERSION	VOLTAGE	GOLD PLATED	PART NUMBER

NOTE:

- MATERIAL:
HOUSING: LCP WITH 30% GF, UL 94V-0, COLOR: NATURE.
CONTACTS: PHOSPHOR BRONZE.
LATCH: STAINLESS.
- FINISH:
CONTACTS: GOLD PLATED (SEE TABLE) ON CONTACT AREA ,
GOLD FLASH ON SOLDER TAILS, WITH ENTIRE
CONTACT UNDERPLATED 1.27μm [50μ"] MIN. NICKEL.
LATCH: 2.032μm [80μ"] ~ 4.064μm [160μ"] MATTE-TIN PLATED
OVER 1.27μm [50μ"] MIN. NICKEL PLATED.
- REFLOW SOLDER CAPABLE TO 260°C PER TE CONNECTIVITY TEST SPEC.
109-201, CONDITION B.

THIS DRAWING IS A CONTROLLED DOCUMENT.

DIMENSIONS:	TOLERANCES UNLESS OTHERWISE SPECIFIED:
mm	0 PLC ± 0.5
	1 PLC ± 0.2
	2 PLC ± 0.1
	3 PLC ± 0.05
	4 PLC ± 0.1
	ANGLES ± 3°

DWN	CHK	APVD	NAME	
			-	
PRODUCT SPEC		108-57503		
APPLICATION SPEC		501-57577		
WEIGHT	4.43 GRAMS	SIZE	A3	CAGE CODE
CUSTOMER DRAWING		DRAWING NO	C=1834017	
SCALE	-	SHEET	2 of 7	REV
				B2

TE Connectivity

ANGLED SO DIMM SOCKET ASSY, 0.6mm PITCH, 200 POSN, 22.5 DEGREE TILT

4

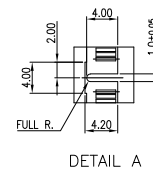
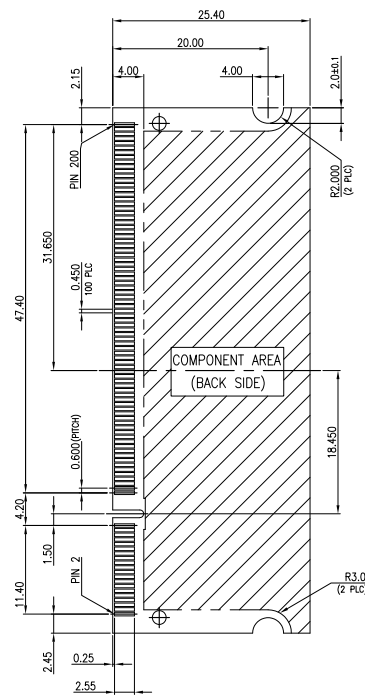
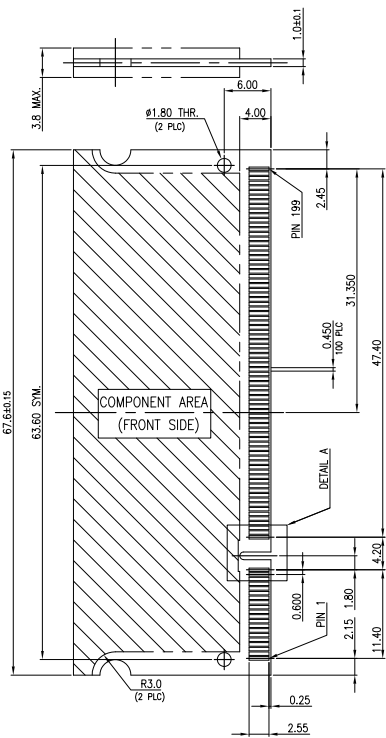
3

2

1

THIS DRAWING IS UNPUBLISHED. RELEASED FOR PUBLICATION
 © COPYRIGHT - By - ALL RIGHTS RESERVED.

LOC	DIST	REVISIONS			
P	LTR	DESCRIPTION	DATE	DWN	APVD
DW	-	SEE SHEET 1	-	-	-



RECOMMENDED DAUGHTER BOARD FOR 2.5V STD. TYPE

2.5 V
VOLTAGE

THIS DRAWING IS A CONTROLLED DOCUMENT.		DWN	TE Connectivity	
DIMENSIONS: mm		CHK	NAME	
TOLERANCES UNLESS OTHERWISE SPECIFIED:		APVD	ANGLED SO DIMM SOCKET ASSY, 0.6mm PITCH, 200 POSN, 22.5 DEGRESS TILT	
0 PLC ± -		PRODUCT SPEC	SIZE	CAGE CODE
1 PLC ± -		APPLICATION SPEC	A3	00779
2 PLC ± -		WEIGHT	DRAWING NO	RESTRICTED TO
3 PLC ± -		CUSTOMER DRAWING	1834017	-
4 PLC ± -		SCALE	SHEET	REV
ANGLES ± -		-	3 of 7	B2

4

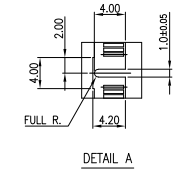
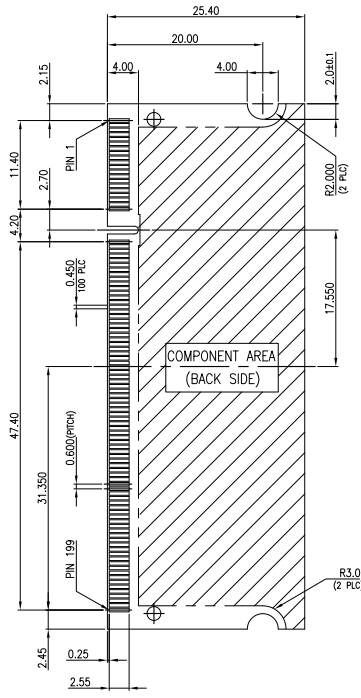
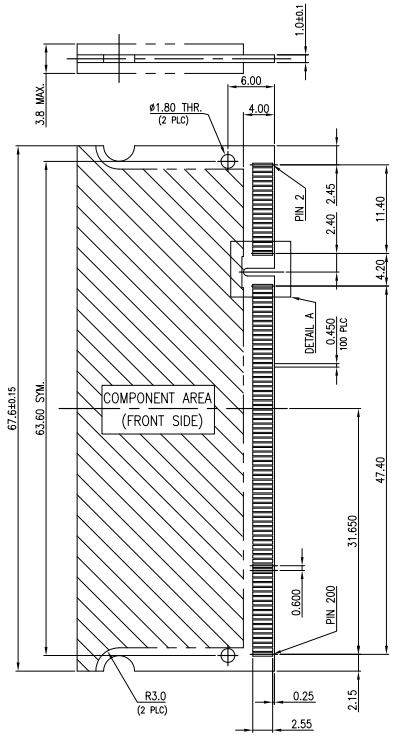
3

2

1

THIS DRAWING IS UNPUBLISHED. RELEASED FOR PUBLICATION
 © COPYRIGHT - By - ALL RIGHTS RESERVED.

LOC		DIST		REVISIONS				
P	LTR	DESCRIPTION	DATE	DWN	APVD			
-	-	SEE SHEET 1	-	-	-			



RECOMMENDED DAUGHTER BOARD FOR 1.8V RVS. TYPE

THIS DRAWING IS A CONTROLLED DOCUMENT.		DWN	1.8 V	
DIMENSIONS: mm		CHK	VOLTAGE	
TOLERANCES UNLESS OTHERWISE SPECIFIED:		APVD	TE Connectivity	
0 PLC ± -		NAME	-	
1 PLC ± -		PRODUCT SPEC	ANGLED SO DIMM SOCKET ASSY, 0.6mm PITCH, 200 POSN, 22.5 DEGREE TILT	
2 PLC ± -		APPLICATION SPEC	-	
3 PLC ± -		WEIGHT	SIZE	CAGE CODE
4 PLC ± -		FINISH	A3	00779
MATERIAL		DRAWING NO	C=1834017	
CUSTOMER DRAWING		RESTRICTED TO	-	
SCALE		SHEET	4 of 7	
REV		B2		

4

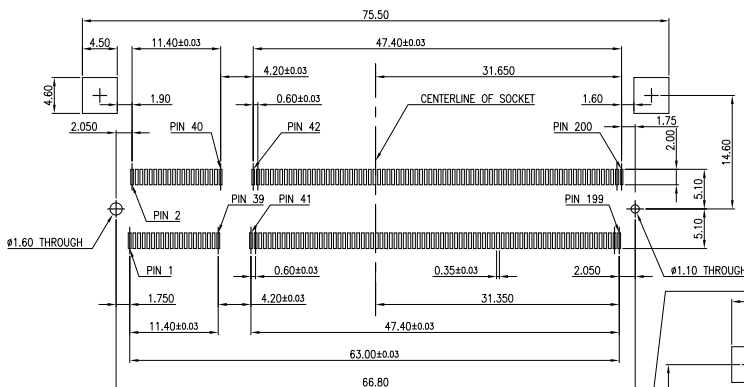
3

2

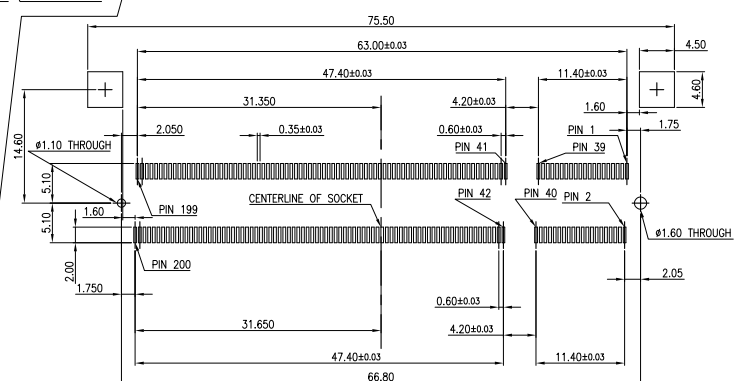
1

THIS DRAWING IS UNPUBLISHED. RELEASED FOR PUBLICATION
 © COPYRIGHT - By - ALL RIGHTS RESERVED.

LOC		DIST		REVISIONS				
P	LTR	DESCRIPTION	DATE	DWN	APVD			
-	-	SEE SHEET 1	-	-	-			



RECOMMENDED PCB LAYOUT
 TOLERANCE: ±0.05
 FOR 2.5V



RECOMMENDED PCB LAYOUT
 TOLERANCE: ±0.05
 FOR 1.8V OF REVERSE

THIS DRAWING IS A CONTROLLED DOCUMENT.		DWN	TE TE Connectivity	
DIMENSIONS: mm		CHK		
TOLERANCES UNLESS OTHERWISE SPECIFIED:		APVD	NAME	
0 PLC ± -		PRODUCT SPEC	ANGLED SO DIMM SOCKET ASSY, 0.6mm PITCH, 200 POSN, 22.5 DEGRESS TILT	
1 PLC ± -		APPLICATION SPEC	SIZE	CAGE CODE
2 PLC ± -		WEIGHT	A3	00779
3 PLC ± -		CUSTOMER DRAWING	DRAWING NO	C-1834017
4 PLC ± -		SCALE	SHEET	REV
ANGLES ± -			5 of 7	B2

4

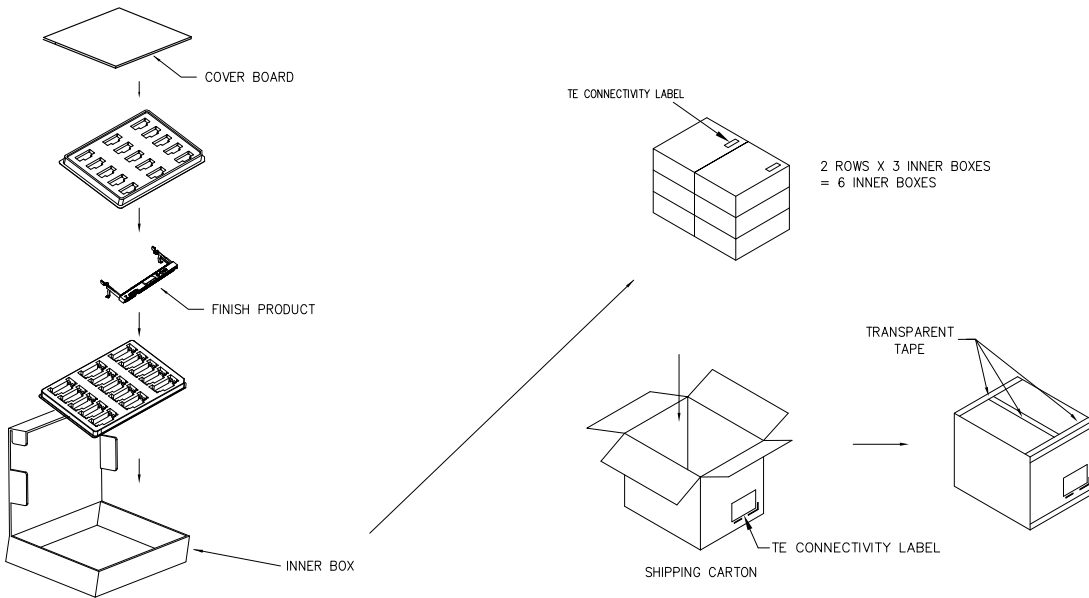
3

2

1

THIS DRAWING IS UNPUBLISHED. RELEASED FOR PUBLICATION
 © COPYRIGHT - By - ALL RIGHTS RESERVED.

LOC		DIST		REVISIONS			
P	LTR	DESCRIPTION	DATE	DWN	APVD		
-	-	SEE SHEET 1	-	-	-	-	-



- (1) DIMENSION
 SEMI-HARD TRAY: 330x215x17.5 mm
 INNER BOX: 35.5x23x6.5 cm
 SHIPPING CARTON: 48x37x23 cm
- (2) MATERIAL
 SEMI-HARD TRAY: P.S.
 INNER BOX: CORRUGATED FIBER
 SHIPPING CARTON: CORRUGATED FIBER
- (3) PACKAGING
 15 PCS PER TRAY,
 3 TRAYS PER INNER BOX,
 6 BOXES PER SHIPPING CARTON.
 QUANTITY: 270 PCS
- (4) WEIGHT
 N.W.: 1.196 KGs
 G.W.: 4.5 KGs

THIS DRAWING IS A CONTROLLED DOCUMENT.		DWN	TE Connectivity	
DIMENSIONS: mm		CHK	NAME	
		APVD	ANGLED SO DIMM SOCKET ASSY, 0.6mm PITCH, 200 POSN, 22.5 DEGRESS TILT	
TOLERANCES UNLESS OTHERWISE SPECIFIED: 0 PLC ± - 1 PLC ± - 2 PLC ± - 3 PLC ± - 4 PLC ± - ANGLES ± -		PRODUCT SPEC	SIZE	RESTRICTED TO
MATERIAL FINISH		APPLICATION SPEC	A3	
		WEIGHT	CAGE CODE	DRAWING NO
		CUSTOMER DRAWING	00779	1834017
		SCALE	SHEET	REV
		-	6 of 7	B2

4

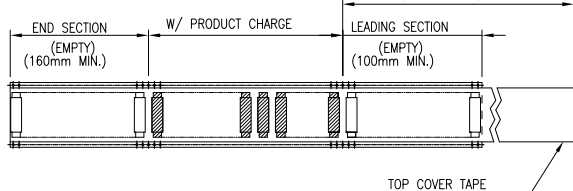
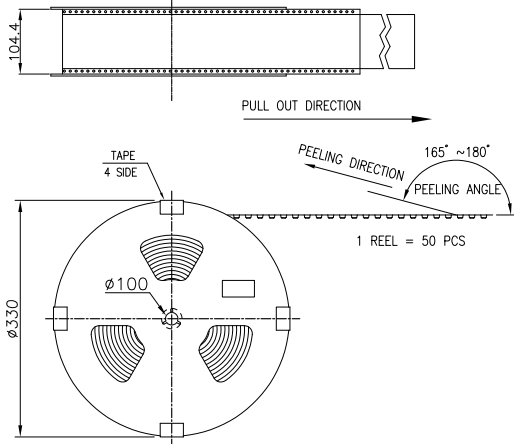
3

2

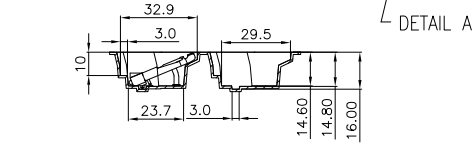
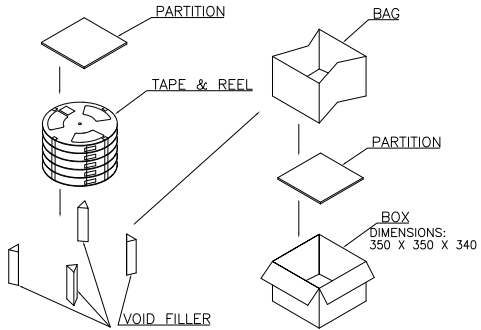
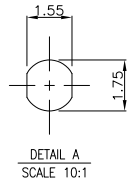
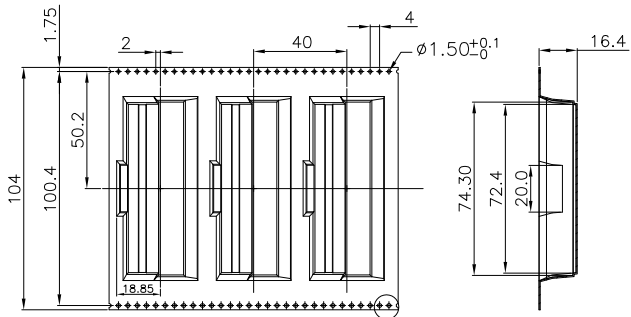
1

THIS DRAWING IS UNPUBLISHED. RELEASED FOR PUBLICATION
 © COPYRIGHT - By - ALL RIGHTS RESERVED.

LOC		DIST		REVISIONS				
P	LTR	DESCRIPTION	DATE	DWN	APVD			
-	-	SEE SHEET 1	-	-	-			



- NOTE:
- MATERIAL:
 - EMBOSSED CARRIER: PS
 - COVER TAPE: PET
 - QUANTITY:
 - PRIMARY: 80 PCS/REEL
 - SECONDARY PACKING: 3 REELS/BOX (240 PCS)
 - WEIGHT:
 - NET WEIGHT: 1.08 KG/BOX
 - GROSS WEIGHT: 3.9 KG/BOX
 - PELLING RESISTANCE: 39g~97g.
 - PELLING SPEED: 300mm/minutes (400mm MIN.)



THIS DRAWING IS A CONTROLLED DOCUMENT.		DWN	TE Connectivity		
DIMENSIONS: mm		CHK	NAME		
TOLERANCES UNLESS OTHERWISE SPECIFIED:		APVD	ANGLED SO DIMM SOCKET ASSY, 0.6mm PITCH, 200 POSN, 22.5 DEGRESS TILT		
0 PLC ±		PRODUCT SPEC	SIZE	CAGE CODE	DRAWING NO
1 PLC ±		APPLICATION SPEC	A3	00779	C-1834017
2 PLC ±		WEIGHT	RESTRICTED TO		
3 PLC ±		CUSTOMER DRAWING	SCALE - SHEET 7 of 7 REV B2		
4 PLC ±					
ANGLES ±					
FINISH					