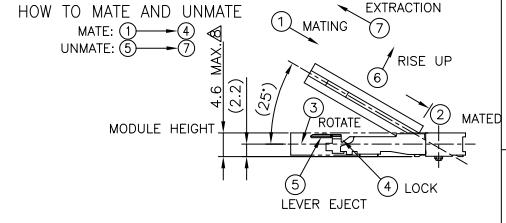
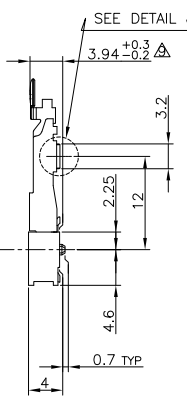
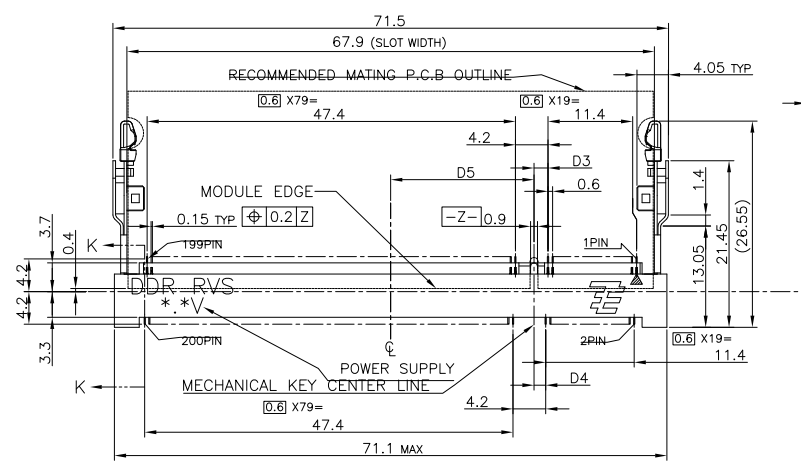
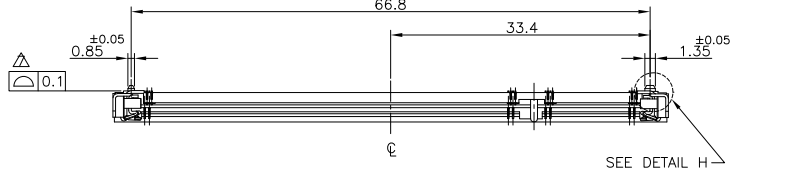
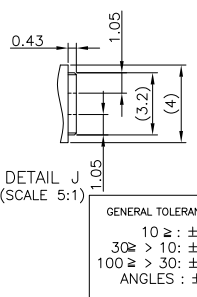
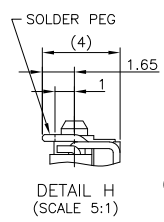
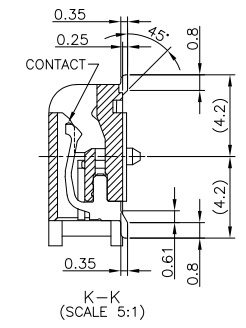


THIS DRAWING IS UNPUBLISHED. RELEASED FOR PUBLICATION SEP. 2003.  
 COPYRIGHT 2003 BY TYCO ELECTRONICS CORPORATION. ALL RIGHTS RESERVED.

| LOC | DIST | REVISIONS     |         |     |      |
|-----|------|---------------|---------|-----|------|
| P   | LTR  | DESCRIPTION   | DATE    | DWN | APVD |
| B1  |      | ECR-10-014882 | 19JUL10 | B.W | S.Y  |



- (APPLIED TO SHEET 1-2)
- MATERIAL ; HOUSING: HIGH TEMPERATURE THERMO PLASTIC UL94V-0  
 CONTACT: COPPER ARROY  
 LOCK LEVER: STAINLESS STEEL  
 SOLDER PEG: COPPER ARROY
  - FINISH ; CONTACT AREA: GOLD FLASH ON 0.0013MIN ALL OVER NICKEL.  
 SOLDERING AREA: GOLD FLASH PLT.  
 SOLDER PEG: TIN PLATING.
- MECHANICAL KEY POSITION OF CONNECTOR SEE TABLE.
  - TOLERANCES NON-CUMULATIVE.
  - NOT TO SCALE.
  - INSIDE MUST BE RESIST COAT EXCEPT SOLDER PATTERN.
  - COPLANARITY : 0.1 MAX.
  - THE FLOATING VALUE BY SOLDERING IS NOT INCLUDED.
  - NOT MATING CONDITION.
- 10 IF THE MODULE DOESN'T INSERT AND LOCK IN THE LATCH SMOOTHLY, OPEN WIDE BOTH LATCHES BY MANUAL. AND THE MODULE MUST BE INSERTED AND LOCKED IN THE LATCH.
- FINISH ; CONTACT AREA: GOLD PLATING 0.000254MIN ON 0.0013MIN ALL OVER NICKEL.  
 SOLDERING AREA: GOLD FLASH PLATING.  
 LOCK LEVER: TIN PLATING.



GENERAL TOLERANCE  
 10 ≥ : ±0.2  
 30 ≥ > 10 : ±0.25  
 100 ≥ > 30 : ±0.3  
 ANGLES : ±3°

|  |        |                                       |                              |     |              |     |          |
|--|--------|---------------------------------------|------------------------------|-----|--------------|-----|----------|
| AVAILABLE                              | △      | 1.8V (DDR2)                           | 17.55                        | 2.4 | 2.7          | 200 | 292407-5 |
| AVAILABLE                              | △      | 1.8V (DDR2)                           | 17.55                        | 2.4 | 2.7          | 200 | 292407-4 |
| TOOLING STATUS                         | REMARK | POWE SUPPLY (TYPE)                    | D5                           | D4  | D3           | POS | PART NO. |
| THIS DRAWING IS A CONTROLLED DOCUMENT. |        | DWN LEO ZHOU 25MAY05                  | Tyco Electronics Corporation |     |              |     |          |
| DIMENSIONS: MM                         |        | CHK T.KAWAMAE 25MAY05                 | SH/CN GuiPingRD 668#         |     |              |     |          |
| TOLERANCES UNLESS OTHERWISE SPECIFIED: |        | APVD STEVEN YAO 25MAY05               | NAME                         |     |              |     |          |
| 0 PLC ±                                |        | DDR1 & DDR2 SODIMM SOCKET 0.6mm PITCH |                              |     |              |     |          |
| 1 PLC ±                                |        | 200POS LOW PROFILE REVERSE TYPE       |                              |     |              |     |          |
| 2 PLC ±                                |        | PRODUCT SPEC                          |                              |     |              |     |          |
| 3 PLC ±                                |        | APPLICATION SPEC                      |                              |     |              |     |          |
| 4 PLC ±                                |        | 108-5701                              |                              |     |              |     |          |
| ANGLES ±                               |        | SIZE CAGE CODE DRAWING NO             |                              |     |              |     |          |
| FINISH                                 |        | WEIGHT 3.2g                           |                              |     |              |     |          |
|  |        | A3 00779 C-292407                     |                              |     |              |     |          |
|  |        | CUSTOMER DRAWING                      |                              |     |              |     |          |
|  |        | SCALE 2:1                             |                              |     | SHEET 1 OF 4 |     | REV B1   |

AMP 1470-19 REV 31MAR2000



4

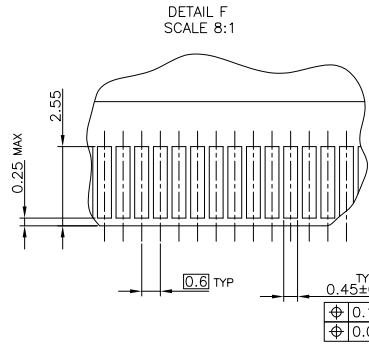
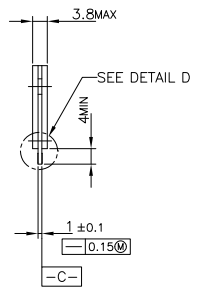
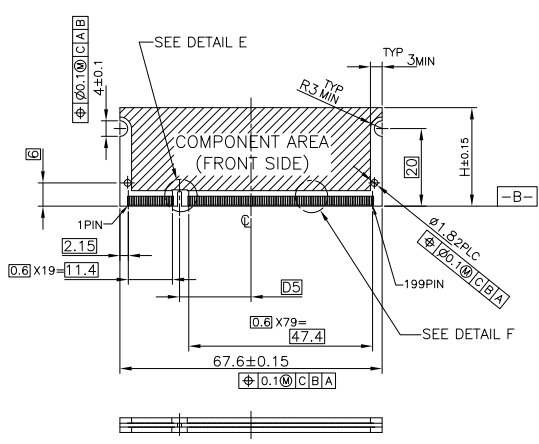
3

2

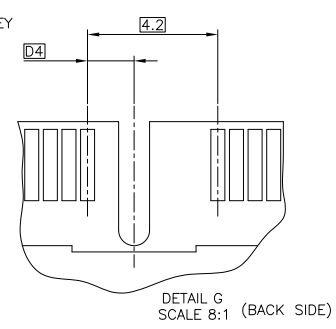
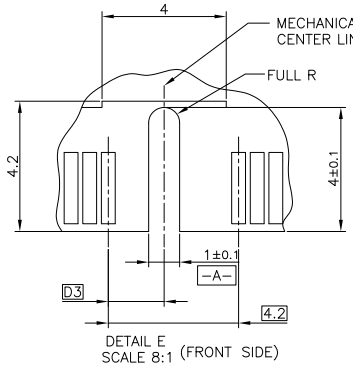
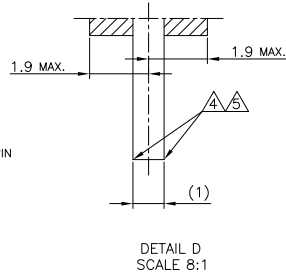
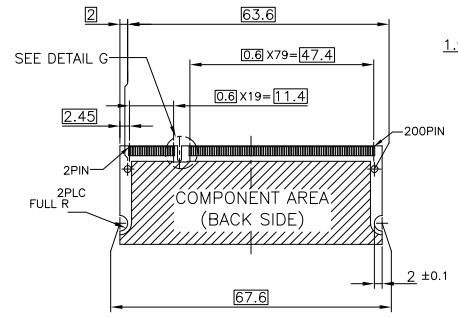
1

THIS DRAWING IS UNPUBLISHED. RELEASED FOR PUBLICATION SEP , 2003.  
 © COPYRIGHT 2003 BY TYCO ELECTRONICS CORPORATION. ALL RIGHTS RESERVED.

| LOC | DIST | REVISIONS   |      |     |      |  |
|-----|------|-------------|------|-----|------|--|
| P   | LTR  | DESCRIPTION | DATE | DWN | APVD |  |
| ES  |      | SEE SHEET 1 |      |     |      |  |



- (APPLIED TO SHEET 3)
- TOLERANCES ON ALL DIMENSIONS ±0.15 UNLESS OTHERWISE SPECIFIED.
  - P.C. BOARD THICKNESS APPLIES ACROSS TABS AND INCLUDES PLATING AND/OR METALIZATION.
  - FINISH OF PAD : GOLD PLATING 0.00076 MIN. OVER Ni PLATING 0.002MIN.
- ▲ NO BURR  
 ▲ CHAMFER 0.25 MAX x 45° IF EXIST.



RECOMMENDED MATING P.C.B CONFIGURATION

|       |              |       |     |     |
|-------|--------------|-------|-----|-----|
| 31.75 | 1.8V         | 17.55 | 2.4 | 2.7 |
| 25.4  | 2.5V         | 18.45 | 1.5 | 1.8 |
| H     | POWER SUPPLY | D5    | D4  | D3  |

THIS DRAWING IS A CONTROLLED DOCUMENT.

|             |  |              |                  |        |                              |
|-------------|--|--------------|------------------|--------|------------------------------|
| DIMENSIONS: | TOLERANCES UNLESS OTHERWISE SPECIFIED: | DWN          | CHK              | APVD   | NAME                         |
| MM          | 0 PLC ±                                |              |                  |        | Tyco Electronics             |
|             | 1 PLC ±                                |              |                  |        | Tyco Electronics Corporation |
|             | 2 PLC ±                                |              |                  |        | SH/CN GuiPingRD 668#         |
|             | 3 PLC ±                                |              |                  |        |                              |
|             | 4 PLC ±                                |              |                  |        |                              |
|             | 4 PCC ANGLES ±                         |              |                  |        |                              |
| MATERIAL    | FINISH                                 | PRODUCT SPEC | APPLICATION SPEC | WEIGHT | SIZE                         |
|             |  |              |                  |        | A3                           |
|             |  |              |                  |        | CAGE CODE                    |
|             |  |              |                  |        | 00779                        |
|             |  |              |                  |        | DRAWING NO                   |
|             |  |              |                  |        | C=292407                     |
|             |  |              |                  |        | RESTRICTED TO                |
|             |  |              |                  |        | B1                           |
|             |  |              |                  |        | CUSTOMER DRAWING             |
|             |  |              |                  |        | SCALE                        |
|             |  |              |                  |        | 2:1                          |
|             |  |              |                  |        | SHEET                        |
|             |  |              |                  |        | 3 OF 4                       |
|             |  |              |                  |        | REV                          |
|             |  |              |                  |        | B1                           |

4

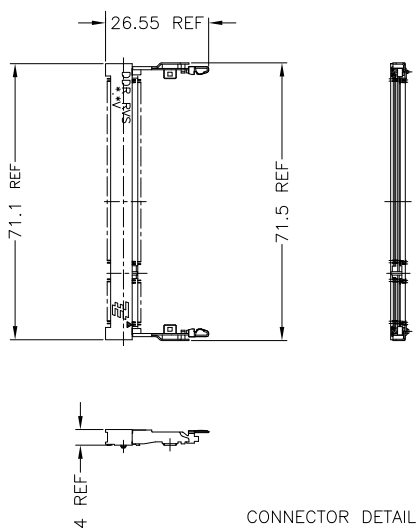
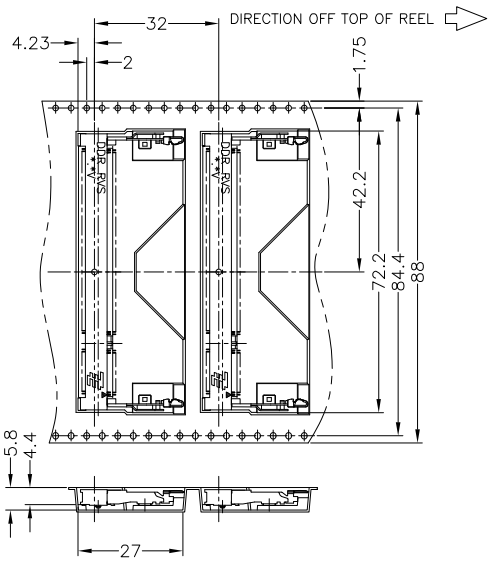
3

2

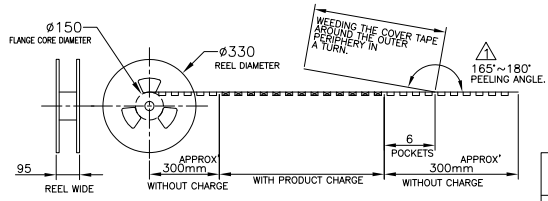
1

THIS DRAWING IS UNPUBLISHED. RELEASED FOR PUBLICATION SEP ,2003.  
 © COPYRIGHT 2003 BY TYCO ELECTRONICS CORPORATION. ALL RIGHTS RESERVED.

| LOC | DIST | REVISIONS   |      |     |      |
|-----|------|-------------|------|-----|------|
| P   | LTR  | DESCRIPTION | DATE | DWN | APVD |
| ES  |      | SEE SHEET 1 | -    | -   | -    |



CONNECTOR DETAIL



|              |          |
|--------------|----------|
| 200EA/EMBOSS | 292407-5 |
| 200EA/EMBOSS | 292407-4 |
| QTY          | P/N      |

|  |   |                  |   |               |
|--|---|------------------|---|---------------|
| THIS DRAWING IS A CONTROLLED DOCUMENT. |   | DWN              | Tyco Electronics Corporation<br>SH/CN GuiPingRD 668#  |               |
| DIMENSIONS:<br>MM                      | TOLERANCES UNLESS OTHERWISE SPECIFIED:<br>0 PLC ±<br>1 PLC ±<br>2 PLC ±<br>3 PLC ±<br>4 PLC ±<br>ANGLES ± | CHK              | NAME  |               |
|  |   | APVD             | DDR1 & DDR2 SODIMM SOCKET 0.6mm PITCH<br>200POS LOW PROFILE REVERSE TYPE<br>(LATCH DIRECT SOLDERING TYPE) |               |
| MATERIAL                               | FINISH  | PRODUCT SPEC     | SIZE  | RESTRICTED TO |
|  |   | APPLICATION SPEC | A3 00779 C-292407   |               |
| CUSTOMER DRAWING                       |   | WEIGHT           | CAGE CODE   | DRAWING NO    |
|  |   | SCALE            | SHEET   | REV           |
|  |   | 1:2              | 4 OF 4  | B1            |

AMP 1470-19 REV 31MAR2000