

4

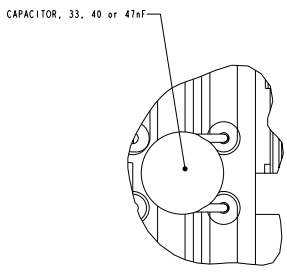
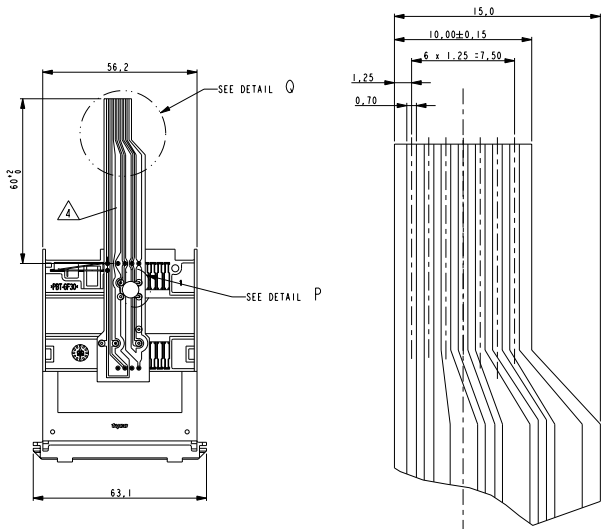
3

2

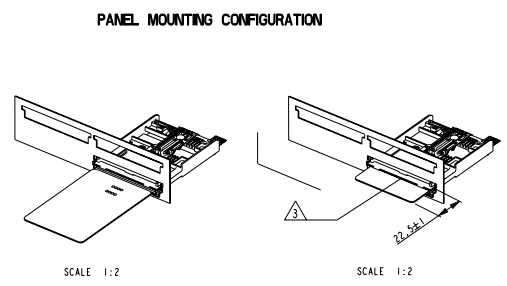
1

THIS DRAWING IS UNPUBLISHED. RELEASED FOR PUBLICATION. ALL RIGHTS RESERVED.

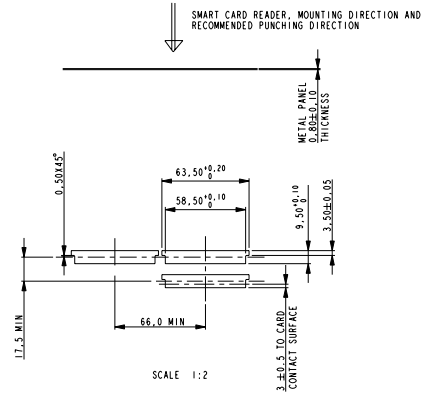
LOC	REV	DESCRIPTION	DATE	BY	CHKD
IR	-				
P	LYA				
C	ECR-10-007190		01/18/2010	GG	PKS
CI	ECR-11-004915		08 MAR 2011	GG	PKS



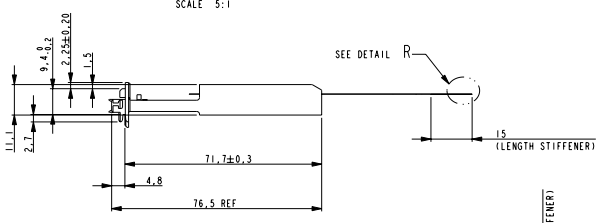
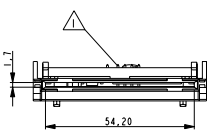
DETAIL P SCALE 5:1



RECOMMENDED METAL PANEL CUT-OUT



SCALE 1:2



DETAIL R SCALE 5:1

- NOTES:
- CONTACTS PLATING :
 - OVERALL: $\geq 2\mu\text{m}$ MIN. ALL OVER THE CONTACTS.
 - SOLDER ZONE: $\geq 2.5\mu\text{m}$ MIN ON THE SOLDER ZONE OF THE CONTACTS.
 - MATING ZONE: PLATING CONFIRMS TO PRODUCT REQUIREMENTS AS PER SPECIFICATION 108-15202.
 - MATERIAL :
 - HOUSING: PBT-GF, BLACK UL 94V0.
 - CONTACTS: PHOSPHOR BRONZE.
 - TE SMART CARD RECEPTACLE DESIGNED TO ACCEPT ISO 7810-7816 TYPE INTEGRATED CIRCUIT SMART CARDS (0.76MM REF. THICKNESS)
 - BASEFILM: POLYESTER, THICKNESS 100 μm
 - CONDUCTOR: COPPER, THICKNESS 35 μm
 - COVERCOATING: COLOR GREEN, THICKNESS 15-25 μm

THIS DRAWING IS A CONTROLLED DOCUMENT.		DRW	06-Dec-04	TE Connectivity	
DIMENSIONS: mm		CR	Coalen	TE Connectivity	
TO MANUFACTURE: PLATE SPECIFICATIONS		BY	larger	TE Connectivity	
MATERIAL		APPD	larger	TE Connectivity	
0 PLC #1		APPLICATION SPEC		TE Connectivity	
1 PLC #0.2		SIZE	A2	TE Connectivity	
2 PLC #0.1		CAGE CODE	00779	TE Connectivity	
3 PLC #:		MARKING NO	6705495	TE Connectivity	
4 PLC #:		RESTRICTED TO		TE Connectivity	
ANGLES		WEIGHT		TE Connectivity	
FINISH		CUSTOMER DRAWING		TE Connectivity	
		SCALE	1:1	TE Connectivity	
		SHEET	1	TE Connectivity	
		OF	1	TE Connectivity	
		REV	C1	TE Connectivity	