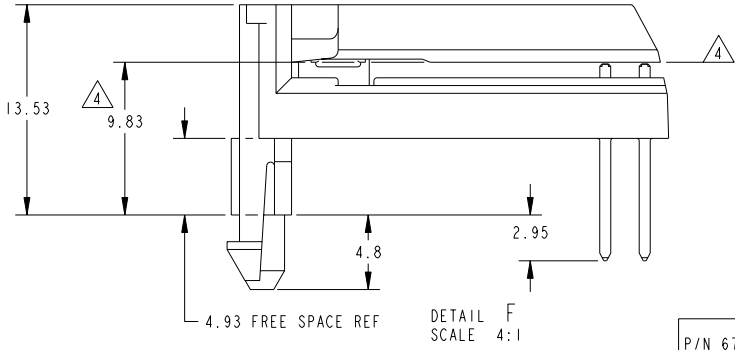
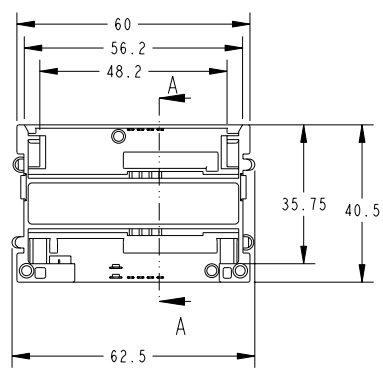
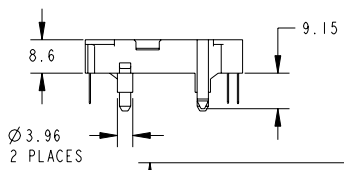
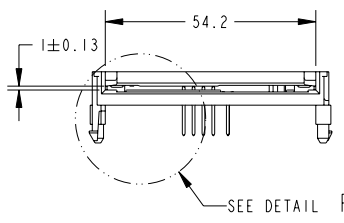
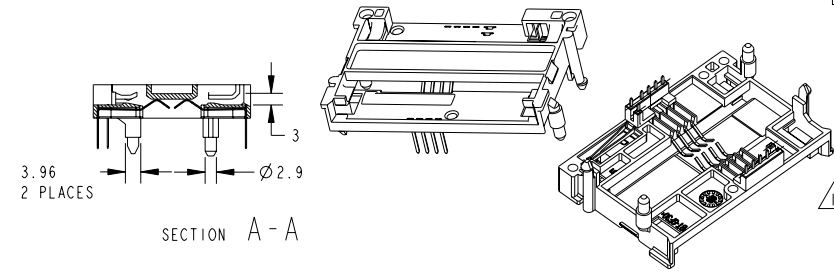


THIS DRAWING IS UNPUBLISHED. RELEASED FOR PUBLICATION  
 © COPYRIGHT - ALL RIGHTS RESERVED.

LOC	DIST	REVISIONS			
P	LTR	DESCRIPTION	DATE	DWN	APVD
IR	-	ECR-11-025634	20DEC2011	GG	RRP



NOTES:

CONTACTS PLATING :

1 OVERALL: Ni 2µm MIN, ALL OVER THE CONTACTS.  
 SOLDER ZONE: Sn 2.5µm MIN ON THE SOLDER ZONE OF THE CONTACTS.  
 MATING ZONE: PLATING CONFIRMS TO PRODUCT REQUIREMENTS AS PER SPECIFICATION 108-15202.

MATERIAL :

2 HOUSING: PBT-GF, BLACK UL 94V0.  
 CONTACTS: PHOSPHOR BRONZE.

3 TE SMART CARD RECEPTACLE DESIGNED TO ACCEPT ISO 7810-7816 TYPE INTEGRATED CIRCUIT SMART CARDS (0.76MM REF. THICKNESS)

4 DIMENSION APPLICABLE IN CARD CONTACT AREA ONLY  
 SURFACE VARY DEPENDING ON MOLD CAVITY NUMBER

P/N 6705405-1 8 POSITIONS  
 ISO 7816

THIS DRAWING IS A CONTROLLED DOCUMENT.		OWN R. Coolen 02-Dec-04	TE Connectivity	
DIMENSIONS: mm		CHK W. JANSEN		
TOLERANCES UNLESS OTHERWISE SPECIFIED:		APVD P. JAEGER	NAME	
0 PLC ±0.5		PRODUCT SPEC 108-15202	SMART CARD READER 0.76 mm	
1 PLC ±0.3		APPLICATION SPEC	PCB MOUNT THROUGH HOLE HIGH PROFILE	
2 PLC ±0.03		WEIGHT 12 g	SIZE A3	RESTRICTED TO
3 PLC ±0.001		CUSTOMER DRAWING	CAGE CODE 00779	DRAWING NO C-6705405
4 PLC ±0.000J		SCALE 1:1	SHEET 1	OF 3
ANGLES ±1		REV C		

4

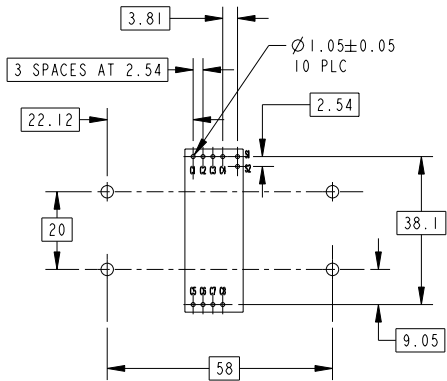
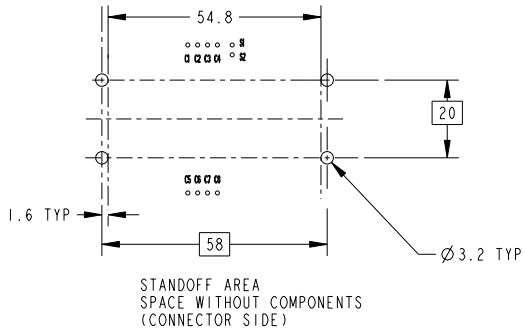
3

2

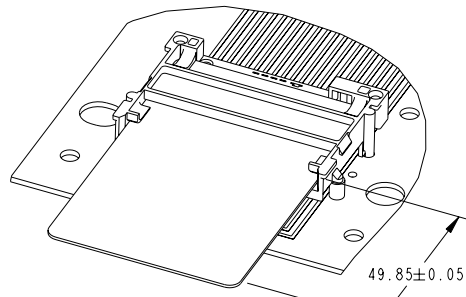
1

THIS DRAWING IS UNPUBLISHED. RELEASED FOR PUBLICATION  
COPYRIGHT - ALL RIGHTS RESERVED.

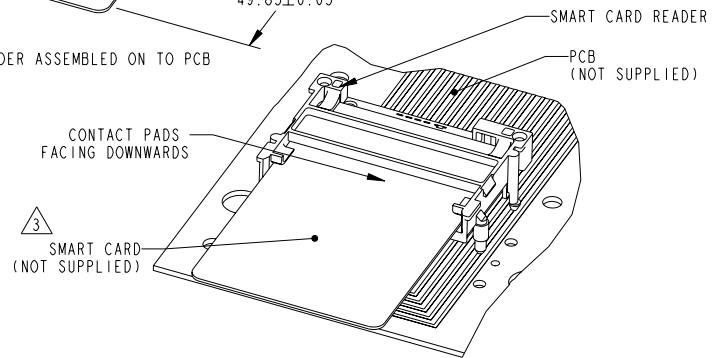
LOC		DIST		REVISIONS			
P	LTR	DESCRIPTION	DATE	DNW	APVD		
-	-	SEE SHEET 1	-	-	-		



**RECOMMENDED PCB LAYOUT**



SMART CARD READER ASSEMBLED ON TO PCB



THIS DRAWING IS A CONTROLLED DOCUMENT.

OWN R. Coolen 02-Dec-04



DIMENSIONS:	TOLERANCES UNLESS OTHERWISE SPECIFIED:
mm	0 PLC ±0.5
	1 PLC ±0.3
	2 PLC ±0.03
	3 PLC ±0.001
	4 PLC ±0.000J
	ANGLES ±1
MATERIAL	FINISH

CHG W	JANSEN
APVD P	JAEGER
PRODUCT SPEC	108-15202
APPLICATION SPEC	-
WEIGHT	12 g

NAME	SMART CARD READER 0.76 mm
PRODUCT SPEC	PCB MOUNT THROUGH HOLE HIGH PROFILE
APPLICATION SPEC	BLADE SWITCH NORMALLY CLOSED
SIZE	A3
CAGE CODE	00779
DRAWING NO	C-6705405
RESTRICTED TO	-
CUSTOMER DRAWING	SCALE 1:1 SHEET 2 OF 3 REV C

4

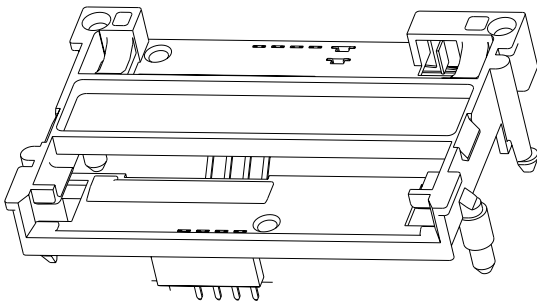
3

2

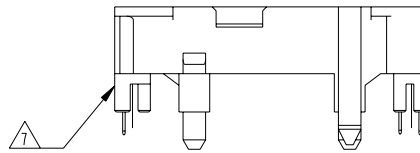
1

THIS DRAWING IS UNPUBLISHED. RELEASED FOR PUBLICATION  
 © COPYRIGHT - ALL RIGHTS RESERVED.

LOC	DIST	REVISIONS			
P	LTR	DESCRIPTION	DATE	DWN	APVD
-	-	SEE SHEET 1	-	-	-



SCALE 2:1



SCALE 2:1

- △5 6705405-2 AS SHOWN
- △6 6705405-2 IS WITH A PIN ORGANIZER
- △7 PIN ORGANIZER FOR TRUE POSITION ALIGNMENT

THIS DRAWING IS A CONTROLLED DOCUMENT.		OWN R. Coolen 02-Dec-04	TE Connectivity	
DIMENSIONS: mm		CHR W. JANSEN		
	TOLERANCES UNLESS OTHERWISE SPECIFIED:	APVD P. JAEGER	NAME SMART CARD READER 0.76 mm	
	0 PLC ±0.5	PRODUCT SPEC 108-15202	PCB MOUNT THROUGH HOLE HIGH PROFILE	
MATERIAL -		APPLICATION SPEC -	SIZE A3	RESTRICTED TO -
FINISH -		WEIGHT 12 g	CAGE CODE 00779	DRAWING NO C-6705405
CUSTOMER DRAWING			SCALE 1:1	SHEET 3 OF 3 REV C