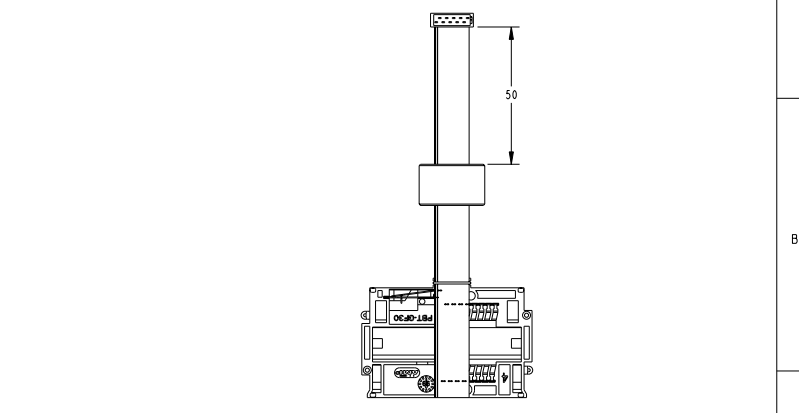
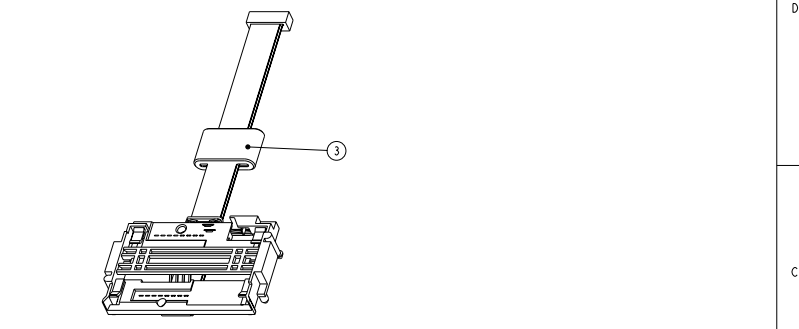


1471-9 (3/11)

P	LYR	DESCRIPTION	DATE	DWN	APVD
-	-	SEE SHEET 1	-	-	-



PN 5953131-5 AS SHOWN

THIS DRAWING IS A CONTROLLED DOCUMENT.		DWN R Coolen 30-Nov-04	TE Connectivity	
DIMENSIONS: mm		APP M Jansen	NAME Jansen	
TOLERANCES UNLESS OTHERWISE SPECIFIED:		0 PLC ± 0.3	PRODUCT SPEC	
		1 PLC ± 0.3	APPLICATION SPEC	
		2 PLC ± 0.3	SIZE A2	
		3 PLC ± 0.3	CAGE CODE	
		4 PLC ± 0.3	DRAWING NO. C-5953131	
		ANGLES	RESTRICTED TO	
MATERIAL TWISSA		WEIGHT	SCALE 2:1	
		CUSTOMER DRAWING	SHEET 2 OF 2 REV B1	