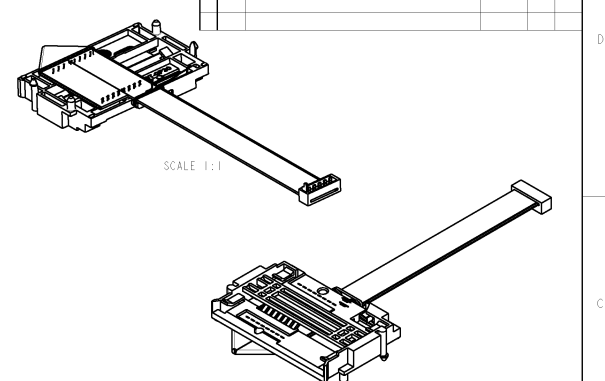


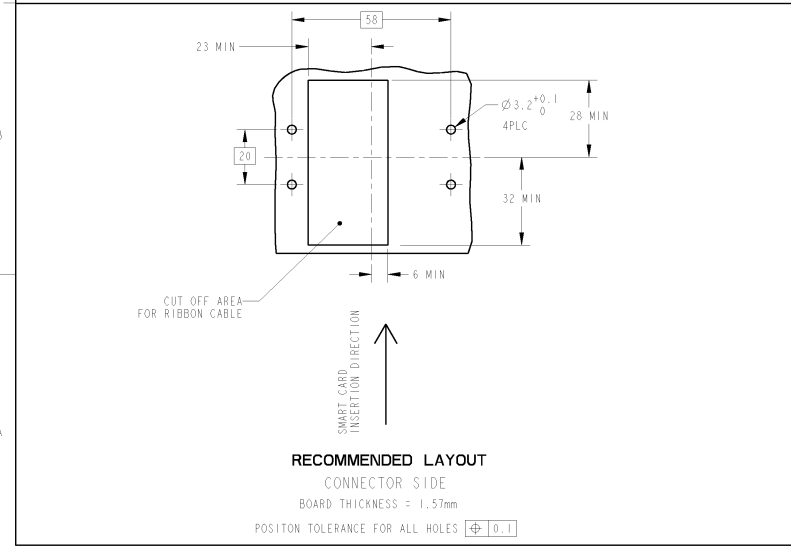
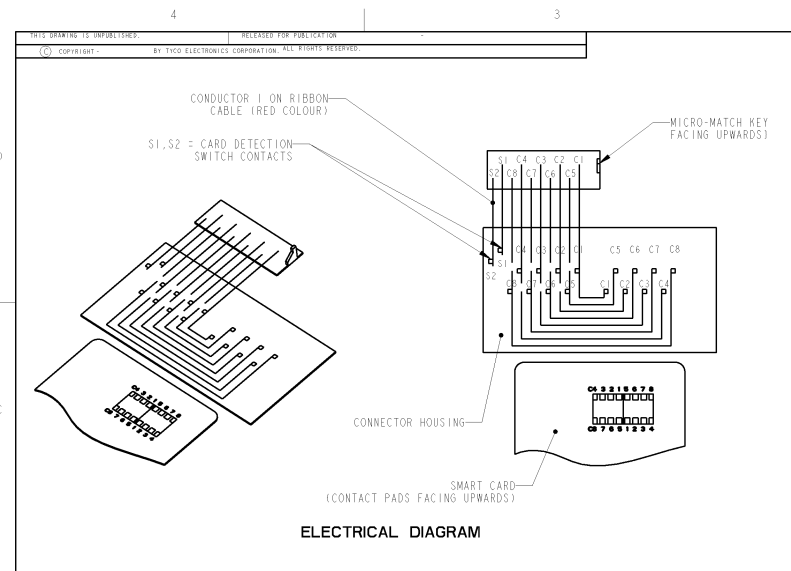
| LOC | DIST | REV | DESCRIPTION | DATE | ENR | AFG |
|-----|------|-----|--------------|---------|-----|-----|
| H | - | 1 | EH10-0478-04 | 30NOV04 | RC | PJ |



- ▲ SMART CARD READER: PBT OF BLACK, UL94V0
SIGNAL AND SWITCH CONTACTS: PHOSPHOR BRONZE
- ▲ ALL CONTACTS: 0.00076 GOLD ON MATING AREAS,
0.0025 TIN (LEADFREE/MATTE) ON IDC AREA,
ALL OVER 0.001 NICKEL.
- 3. UL STYLE 2651 RIBBON CABLE AND
10 POSITIONS MICRO-MATCH CONNECTOR;
TO BE MATED WITH
1-215079-0 THROUGH HOLE VERSION OR 1-188275-0 SMT VERSION.
- 4. AMP SMART CARD RECEPTACLE DESIGNED TO ACCEPT ISO 7810-7816 TYPE
INTEGRATED CIRCUIT SMART CARDS (0.76 mm REF. THICKNESS).
- ▲ EXCEPT 5953128-4, L = 650 ± 7/0

| ASS'Y P/N | QTY PER ASS'Y | DESCRIPTION | ITEM |
|-------------------|---------------|---|------|
| | 1 | RIBBON CABLE ASS'Y, L = 650 mm | 2 |
| | - | RIBBON CABLE ASS'Y, L = 405 mm | 2 |
| | - | RIBBON CABLE ASS'Y, L = 115 mm | 2 |
| | - | RIBBON CABLE ASS'Y, L = 100 mm | 2 |
| | 1 | SMART CARD READER ASS'Y 16 POS. WITH METAL STRAIN RELIEF | 1 |
| ASS'Y P/N 5953128 | -4 -3 -2 -1 | DESCRIPTION | ITEM |

| | | | | | | | |
|--|--|-------------------------------|--|--|--|--|--|
| DIMENSIONS: mm | | 30-Nov-04 R. Coolen | | tyco Electronics | | TYCO ELECTRONICS NEDERLAND B.V. 11-HERTOGENBOSCH, THE NETHERLANDS | |
| MATERIAL | | APPROVED BY: R. Jansen | | DRAWN BY: J. Jansen | | RESTRICTED TO | |
| 9 PLC ±0.3 1 PLC ±0.3 3 PLC ±0.3 4 PLC ±0.3 R PL ±0.3 ANGLES ±5 | | APPROVED BY: R. Jansen | | DRAWN BY: J. Jansen | | RESTRICTED TO | |
| CUSTOMER DRAWING | | APPLICATION SPEC 108-15174 | | SIZE CODE DRAWING NO A2100779 C=5953128 | | RESTRICTED TO | |
| | | WEIGHT | | SCALE 2:1 | | SHEET 1 OF 2 REV A | |



| LOC | DIST | REV | DESCRIPTION | DATE | OWN | APPROV |
|-----|------|-----|-------------|------|-----|--------|
| H | - | 1 | SEE SHEET 1 | - | - | - |

| | | | | | |
|---|--|------------------|-----------|--|-----------------------------------|
| DIMENSIONS: | | OWN | 30-Nov-04 | tyco | TYCO ELECTRONICS NEDERLAND B.V. |
| mm | | DR | R. Coolen | Electronics | 11-KERTOKENBOSCH, THE NETHERLANDS |
| | | APP | R. Jansen | SMART CARD READER WITH RIBBON CABLE 16 POSITIONS | |
| 0 PLC ± 0.3 1 PLC ± 0.3 2 PLC ± 0.3 3 PLC ± 0.3 4 PLC ± 0.3 ANGLES ± 0.5 | | PROJ | P. Jansen | SIZE | A2 |
| MATERIAL | | WEIGHT | - | CASE CODE | C=5953128 |
| ZINVIS | | CUSTOMER DRAWING | - | DRAWING NO | RESTRICTED TO |
| | | SCALE | 2:1 | SHEET | 2 OF 2 |
| | | REV | A | | |