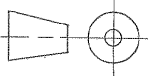
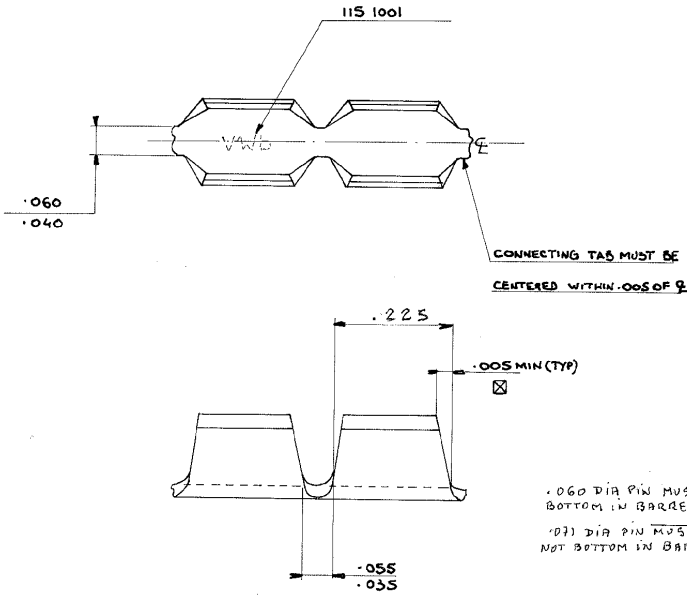


140778
 100
 50
 0 5 10
 Ce plan est confidentiel. Il ne peut être communiqué sans l'autorisation écrite de AMP de France SA.
 Dimensions in mm. DO NOT SCALE PRINT.
 Dimensions en mm. Ne pas évaluer sans l'autorisation écrite de AMP de France SA.
 AMP 2031 / 03-83

METRIC 

CODE	GAGENO



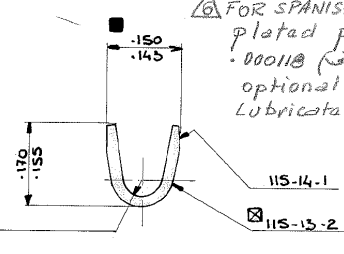
NOTES - Δ NI PLATED 112-25.2 THK .000150 MIN. OVER COPPER FLASH LUBRICATE AFTER PLATING SPEC 118-53.2 COPPER FLASH OPTIONAL FOR FOREIGN PRODUCTION

2 SPLICE FREE PER SPEC 115-1000

Δ TIN PLATED 112-16.3 THK .000080/.000250

Δ FOREIGN PRODUCTION

Δ FOR SPANISH PRODUCTION - Nickel plated per 112-248-1 .000118 (3 μ m) min thk. over optional copper flash. Lubricate after plating (4-790452-3).



Δ	PAL NI PLATED 112-25.2 THK 2.5UM	STEEL 100-21 T4	140837-3
Δ	NICKEL PLATED 112-25.2	STEEL 100-21 T4	140837-2
	7.702410-0 PLAIN		140837-1
	7.7373-0 TIN PLATED 112-16.3	BRASS 100-41027 T 2	140778-2
			140778-1
	MATERIAL STOCK NUMBER	FINISH	MATERIAL
			AMP PART NUMBER

SPECIFICATIONS		WIRE CRIMP	INS. CRIMP	SB.	STOCK THK REF	REF	WIRE RANGE	UNLESS OTHER WISE SPECIFIED	AMP DE FRANCE 95301 PONTOISE
REELING - 107-3 FIG 10		LAYOUT NO	SURFACE AREA - 1842 SQ. IN	TRIMMING BURR NOT TO EXCEED	IN	IN	± 0.12 MM		
SPLICE - 115		DIE 1253	QTY/REEL 10M	Control Priority Dimensions		NAME		SPLICE	
HEAT TREATING - 111		DIE FEED .270 ± .003	APPL FEED .270 ± .003	None MINOR		SCALE LOC NUMBER			
FINISH - 112		WDW .343	IDW	DR B. ALLAIS 16 JANVIER 1987		REL		5 F B 140778	
WAS NPS		LTR REVISION RECORDS		CHK		REL		1/1 K	

Property of Tyco Electronics Corporation, Dec 10 2001
 CUSTOMER DRWG: 140778 REV: K PG 1 OF 1