

4

3

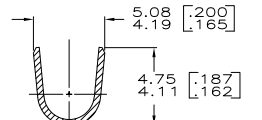
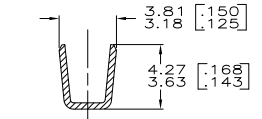
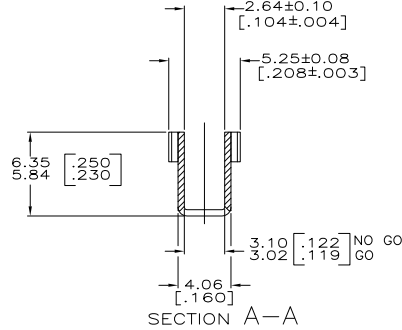
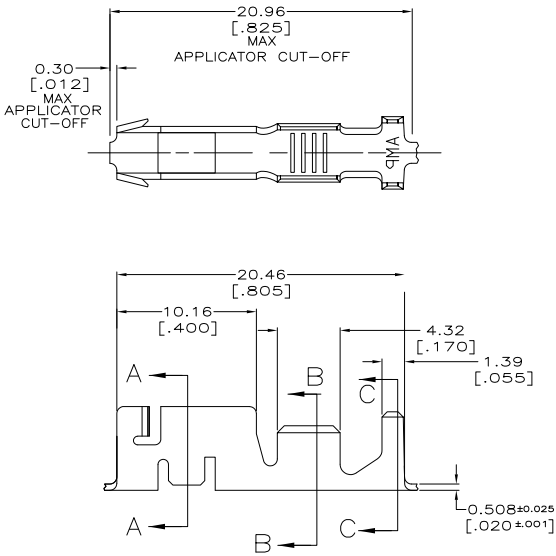
2

1

THIS DRAWING IS UNPUBLISHED. RELEASED FOR PUBLICATION
 © COPYRIGHT BY TYCO ELECTRONICS CORPORATION. ALL RIGHTS RESERVED.

| LOC | DIST | REVISIONS | | |
|-----|------|---------------------------|---------|--------|
| F | LN | DESCRIPTION | DATE | BY |
| AF | 50 | | | |
| | F3 | REVISED PER ECR-07-023033 | 04OCT07 | HMR GP |

- 1 CONTINUOUS STRIP ON REELS WITH TERMINALS LOCATED ON 22.61[.890] CENTERS
- 2 PRODUCT SPEC DOES NOT APPLY TO PART NUMBER 1217176-4.
- 3 PRELIMINARY - NOT FOR PRODUCTION.



| FINISH | MATERIAL | INSULATION RANGE | WIRE RANGE | PART NUMBER |
|----------|---------------------|---------------------|---------------------------------------|-------------|
| NONE | H03 PHOSPHOR BRONZE | 3.30 [.130] MAX DIA | 0.75-1.5mm ² [#18-#16] AWG | 1217176-5 |
| POST TIN | H02 CU-FE, C19500 | 3.30 [.130] MAX DIA | 0.75-1.5mm ² [#18-#16] AWG | 1217176-4 |
| POST TIN | H03 PHOSPHOR BRONZE | 3.30 [.130] MAX DIA | 0.75-1.5mm ² [#18-#16] AWG | 1217176-1 |

| TYPE | WIDTH | STRIP LENGTH ±0.38 [±.015] | TYPE | WIDTH | HEIGHT ±0.08 [±.003] | WIRE |
|--------------------|-------------|----------------------------|-------------------|-------------|----------------------|--------------------------|
| F OR O | 3.94 [.155] | 6.22 [.245] | F | 2.79 [.110] | 2.01 [.078] | 1.5mm ² [.16] |
| INSUL BARREL CRIMP | | | WIRE BARREL CRIMP | | 1.85 [.073] | .75mm ² [.18] |

THIS DRAWING IS A CONTROLLED DOCUMENT. DWG: MICHAEL S. FEHR 06JUL1999
 CHK: PETE DESANTIS 07AUG1999
 APPR: PETE DESANTIS 07AUG1999
 Teco Electronics Corporation, Harrisburg, PA 17105-3608

DIMENSIONS: mm [INCHES]
 TOLERANCES UNLESS OTHERWISE SPECIFIED:
 0 PLG ± .010
 1 PLG ± .010
 2 PLG ± .010
 3 PLG ± .010
 4 PLG ± .010
 ANGLES ± .5°

PRODUCT SPEC: 108-2008
 APPLICATION SPEC: 114-2019
 WEIGHT: -

RECEPTACLE, CLUSTER PIN, 3.18 [.125] DIA

SIZE: A2
 CAGE CODE: 00779
 DRAWING NO: C=1217176
 RESTRICTED TO: -

MATERIAL: SEE TABLE
 FINISH: SEE TABLE
 CUSTOMER DRAWING
 SCALE: 5:1
 SHEET: 1 of 1
 REV: F3

AMP 1471-9 REV 31MM2000

1217176

A

F3