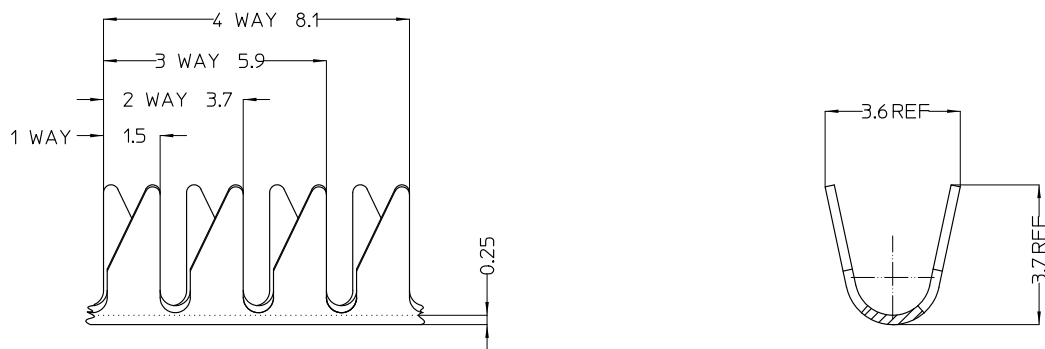


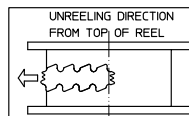
THIS DRAWING IS UNPUBLISHED. RELEASED FOR PUBLICATION
 © COPYRIGHT BY TYCO ELECTRONICS CORPORATION. ALL RIGHTS RESERVED.

LOC	DIST	REVISIONS			
P	LTR	DESCRIPTION	DATE	DWN	APVD
-	-				

SUPPLIED IN CONTINUOUS STRIP -
 CUT TO LENGTH AS SHOWN



NOTES:
 1. WIRE RANGE
 CONDUCTOR: 1.5mm² - 2.5mm²



THIS DRAWING IS A CONTROLLED DOCUMENT.	
ALL DIMENSIONS IN mm	TOLERANCES UNLESS OTHERWISE SPECIFIED: DIMENSION (mm) TOLERANCE (mm) LESS THAN 10 0.4 OVER 10 TO 30 0.5 OVER 30 TO 80 0.7 OVER 80 TO 250 1.0 ANGLES 42°
MATERIAL REF. BLOCK	FINISH NATURAL

BRASS	TERMINAL, SHOE LACE H29104	1-1627140-0
MATERIAL	DESCRIPTION	PART No.
DWN: W.RIEDE 18MAY05	CHK: H.THAI 18MAY05	APVD: W.RIEDE 18MAY05
Tyco Electronics Corporation AUSTRALIA		NAME: TERMINAL, SHOE LACE
SIZE: A3	CAGE CODE: -	DRAWING NO: 1627140
CUSTOMER DRAWING		SCALE: 10:1 SHEET: 1 OF 1 REV: 0

THIS INFORMATION IS CONFIDENTIAL AND PROPRIETARY TO TYCO ELECTRONICS CORPORATION AND IS NOT TO BE RELEASED TO ANYONE OTHER THAN TYCO ELECTRONICS CORPORATION, HARRISBURG, PENNSYLVANIA, USA.